

Engineering Release Notice (ERN)	Location	Change Description	A = Added D = Deleted	W = Was	Document Release Status
D-19142-06		See DCN			Date <b>RELEASED</b> Modification Count

## WIRING DIAGRAM INDEX

NAME	DESCRIPTION	PAGE
AA	POWER DISTRIBUTION FRC	2
AB	POWER DISTRIBUTION FRC	3
AC	POWER SUPPLY, CIRCUIT PROTECTION 3/4 (EF 4	4
AD	POWER SUPPLY, CIRCUIT PROTECTION 4/4 (EF 5	5
AE	GROUNDING	6
AF	STARTING AND CHARGING	7
AG	VEHICLE ECU 1/4 - EMS POWER CONTROL	8
AH	VEHICLE ECU 2/4	9
AI	VEHICLE ECU 3/4	10
AJ	VEHICLE ECU 4/4 - ENGINE BRAKE SWITCHES	11
AK	POWER SUPPLY MANUAL TRANS START	12
AL	GROUNDING OPTIONS	13
AM	CHARGING AND POWER CABLE OPTIONS	14
AN	GROUNDING OPTIONS	15
AQ	POWER DISTRIBUTION	16
BA	INSTRUMENT CLUSTER 1/2	17
BB	INSTRUMENT CLUSTER 2/2	18
BE	COMMUNICATIONS QUALCOMM/OMNIVISION	19
BF	TMC RP1226 PEOPLENET PREP KIT	20
BH	BODYBUILDER	21
BJ	TELEMATICS GATEWAY (TGW)	22
BL	BATTERY BUSSING	23
BM	BODYBUILDER MODULE	24
BP	ISX-G FUEL SYSTEM	25
BY	CUMMINS ADEPT	26
CA	ETHER START/ENGINE HEATER	27
CB	ENGINE CONTROL - VOLVO ENGINE	28
CE	FUEL FILTER HEATER	29
CF	CARB 2024	30
CG	UREA DOSING SYSTEM - OBD 2019	31
CH	INSIDE/OUTSIDE AIR CLEANER	32
CL	ENGINE CONTROL - ISX-G 1/2	33
CM	METHANE DETECTION	34
CN	ENGINE CONTROL - ISX 1/2	35
CP	ENGINE CONTROL - ISX US 2/2	36
DA	TRANSMISSION I-SHIFT	37
DB	TRANSMISSION CONTROL EATON AUTOMATICS	38
DC	TRANSMISSION EATON ENDURANT	39
DE	TRANSMISSION CONTROL ALLISON 1/2	40
DF	TRANSMISSION CONTROL ALLISON 1/2	41
DP	PTO	42
EB	SUSPENSION	43
EC	ABS CONTROL BENDIX 1/2	44
ED	ABS CONTROL BENDIX ESC (ELECTRONIC STABI	45
EE	BRAKES TABS6	46
EH	SUSPENSION LIFTABLE PUSHER	47
FA	AIR DRYER/HEATED DRAIN VALVE	48
FB	LIFT AXLES VHD	49
FC	SUSPENSION DUMP, 5TH WHEEL SLIDE	50
FD	DIFFERENTIAL LOCK VN/VHD	51
FE	PUSHER OVERRIDE 8X2	52
FF	5TH WHEEL LOCK	53
FG	TIRE PRESSURE MONITORING SYSTEM	54
FH	DYNAMIC STEERING	55
GA	LIGHTING CONTROL 1/2	56
GB	LIGHTING CONTROL 2/2	57
GC	MARKER LAMPS	58

NAME	DESCRIPTION	PAGE
GD	DRIVING/ SIGNAL LIGHTS	59
GE	DRIVING/ FOG LIGHTS	60
GF	TAIL LAMPS W/ALARM	61
GG	BACK OF CAB LAMPS L1	62
GH	BACK OF CAB LED LAMPS L3, L4, L5	63
GI	SNOW PLOW AND BEACON LAMPS	64
GJ	BEACON LAMPS	65
GK	BACK UP LAMPS WITH ALARM	66
GP	WINDSHIELD WASHER	67
GQ	HORN	68
HA	CLIMATE CONTROL	69
HB	SLEEPER BASE CLIMATE CONTROL W. LECM	70
HC	SHORE POWER	71
HD	SLEEPER W/ LECM L4EH BUNK	72
HE	SLEEPER W/ LECM L4E	73
HF	L3 - L4 SLEEPER FUNCTIONS/LIGHTING/REFRI	74
HG	L5H4 SLEEPER FUNCTIONS	75
HI	CAB MANT. INVERTER W/SHORE POWER	76
HJ	AUXILLIARY 12V PARK COOLING SYSTEM L4E	77
HK	SLEEPER CLIMATE CONTROL L3,L4,L5	78
HL	AUXILLARY 12V PARK COOLING SYSTEM L4 AND	79
IA	INTERIOR COURTESY LIGHTS	80
IB	HEATED WINDSHIELD	81
IC	POWER WINDOWS/ MIRRORS W. DCP	82
IE	POWER WINDOWS/ MIRRORS WITH TURN SIGNAL	83
IF	CENTRAL/ REMOTE DOOR LOCKING	84
IG	CIGAR LIGHTER/ AUX POWER (DASH RADIO SHE	85
IH	BRIGHTWORK	86
IR	SEAT BELTS, HEATED SEATS	87
IS	SEAT BOSE	88
JA	SRS AIRBAG CONTROL	89
JE	ADAPTIVE CRUISE CONTROL	90
JF	SIDE OBJECT DETECTION SYSTEM	91
JG	LANE DEPARTURE WARNING SYSTEM	92
JH	SEAT SRS	93
KD	AUDIO SYSTEM- BLUETOOTH/ AUX/ USB	94
KE	AUDIO SYSTEM: DEA 500 SERIES RADIO- 4 SP	95
KF	AUDIO SYSTEM- DEA 500 SERIES RADIO- 6 SP	96
KG	AUDIO SYSTEM- DEA 500 SERIES RADIO- 6 SP	97
KL	AUDIO SYSTEM: SEM 4-SPEAKER AND AUX INPU	98
KM	AUDIO SYSTEM-SEM RADIO 6-SPEAKER	99
KN	SEM AUDIO UNIT	100
KO	INFOTAINMENT	101
MA	TRAILER CABLE	102
MB	TRAILER CABLE OPTIONS	103
MC	TRAILER CABLES/ BODY BUILDER BOX	104
NA	AUXILIARY SWITCHES	105
ND	H. D. POWER LIFT GATE	106
XA	DIAGNOSTICS 1/3 (DL4- J1587 & DL2- J2284	107
XB	DIAGNOSTIC CONNECTOR SCENARIOS	108
XC	DIAGNOSTICS DL1- J1939	109
XF	DIAGNOSTICS 2/3 (DL1-1939) - VOLVO OBD	110
XG	DIAGNOSTICS 2/3 (DL1-1939) - ISX GAS	111
XH	DIAGNOSTICS 2/3 (DL1-1939) - ISX GAS	112
XI	DIAGNOSTICS 2/3 (DL1 1939) - VOLVO OBD	113
XM	DIAGNOSTICS 4/4 CUMMINS (DL10)	114

The copying, distribution and utilization of this document as well as the communication of its contents to others without expressed authorization is prohibited. Offenders will be held liable for payment of damages. All rights reserved in the event of the grant of a patent, utility model or ornamental design registration.

Document title

**WIRING DIAGRAM, 12V SCHEMATIC**

The legal owner of this document is as stated under "Design Location" in KOLA and in the associated "Part Version Report"

Document type

**PRODUCT SCHEMATICS**

Document No

**23986311**

Issue

**04**

Volume

**1 (1)**

Sheet No

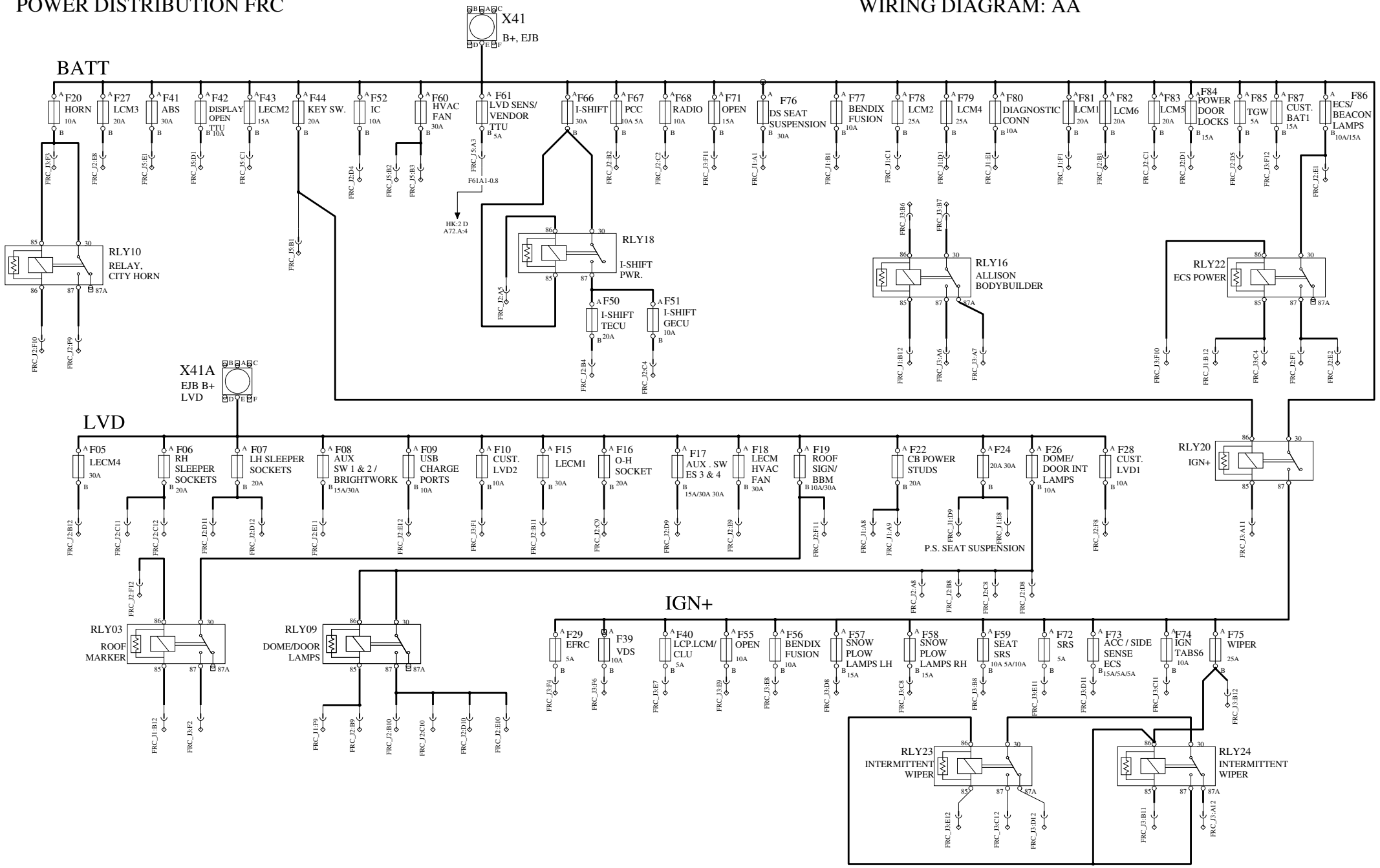
**1 (114)**

**VOLVO**

Group Trucks Technology

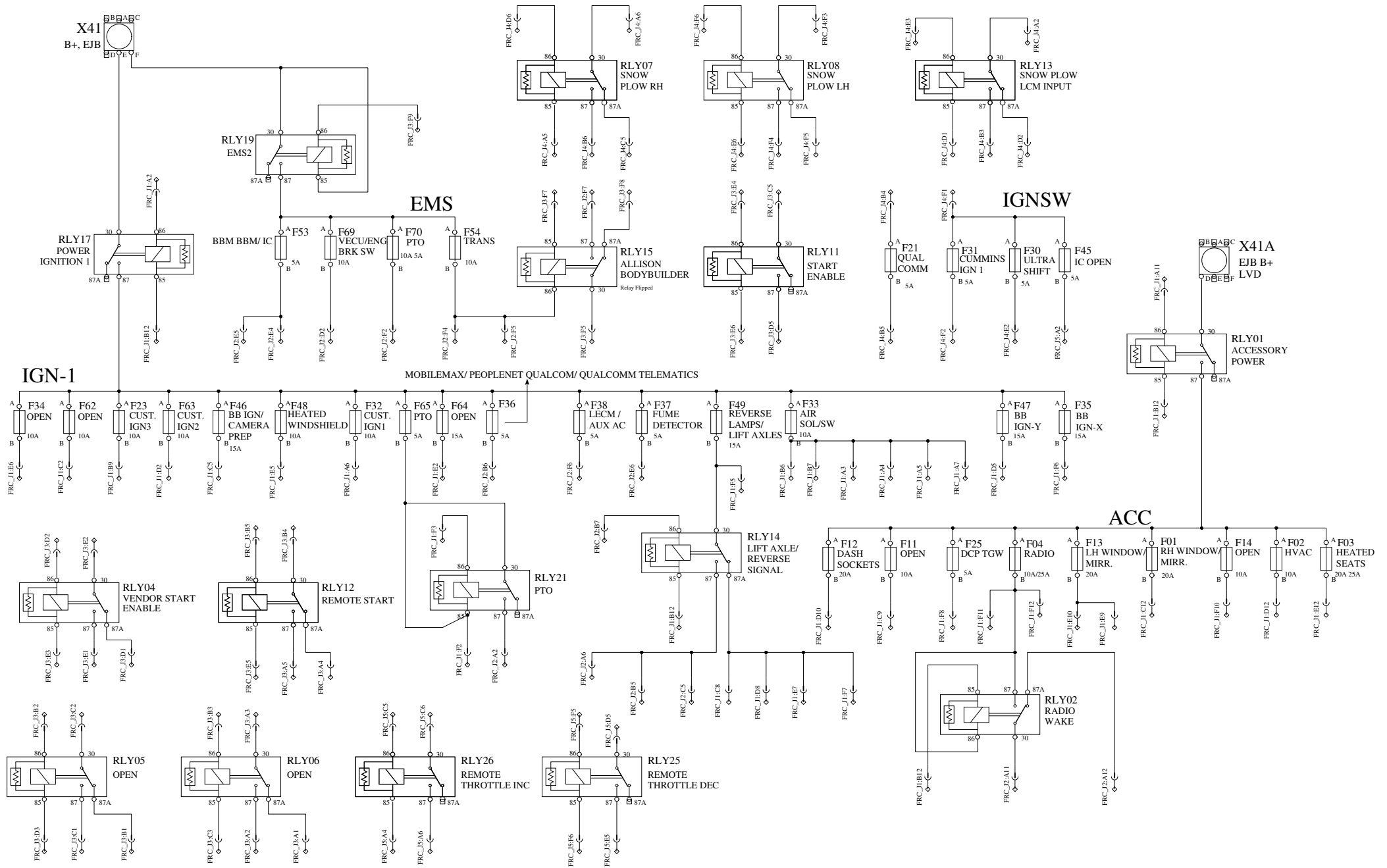
POWER DISTRIBUTION FRC

WIRING DIAGRAM: AA

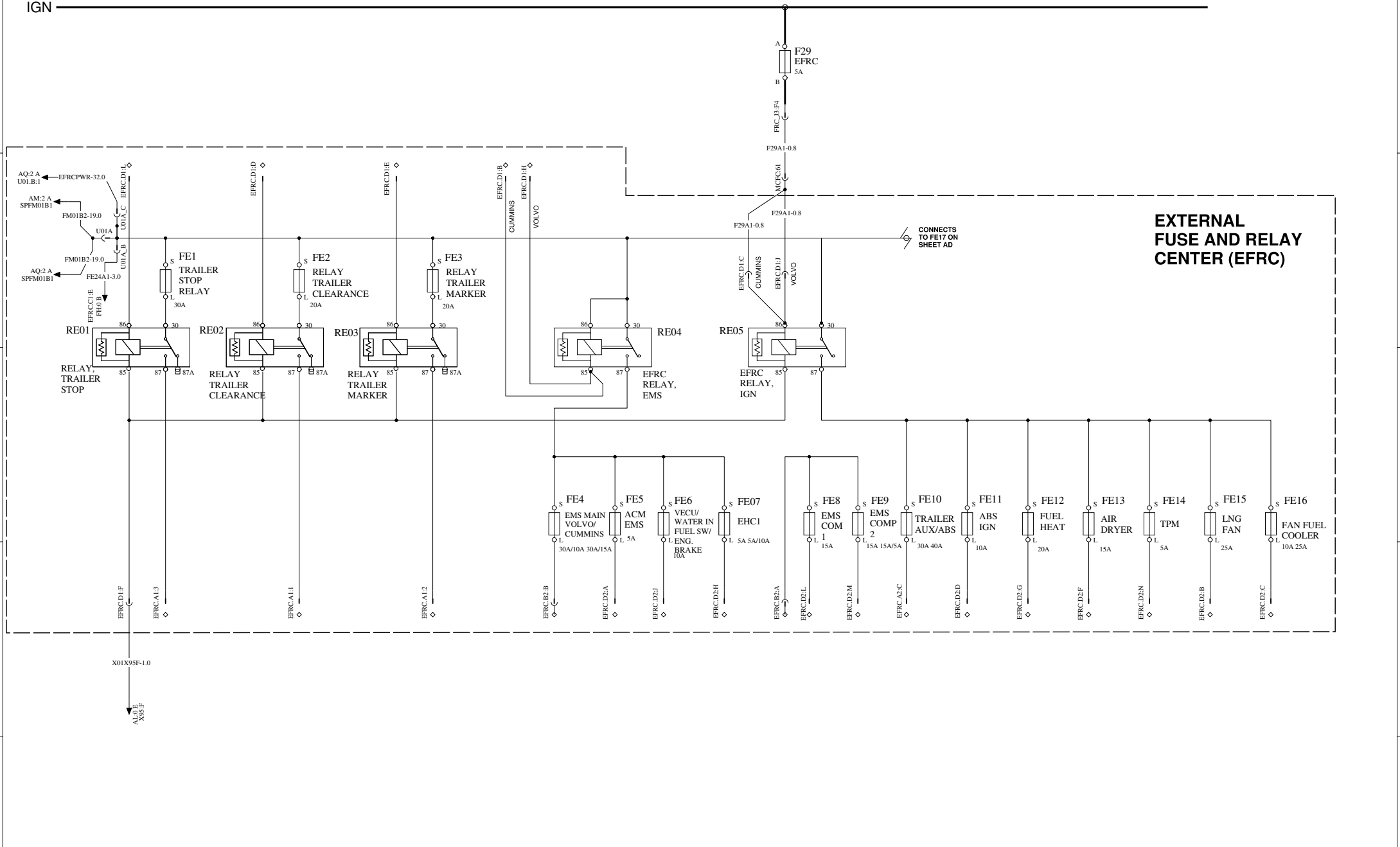


POWER DISTRIBUTION FRC

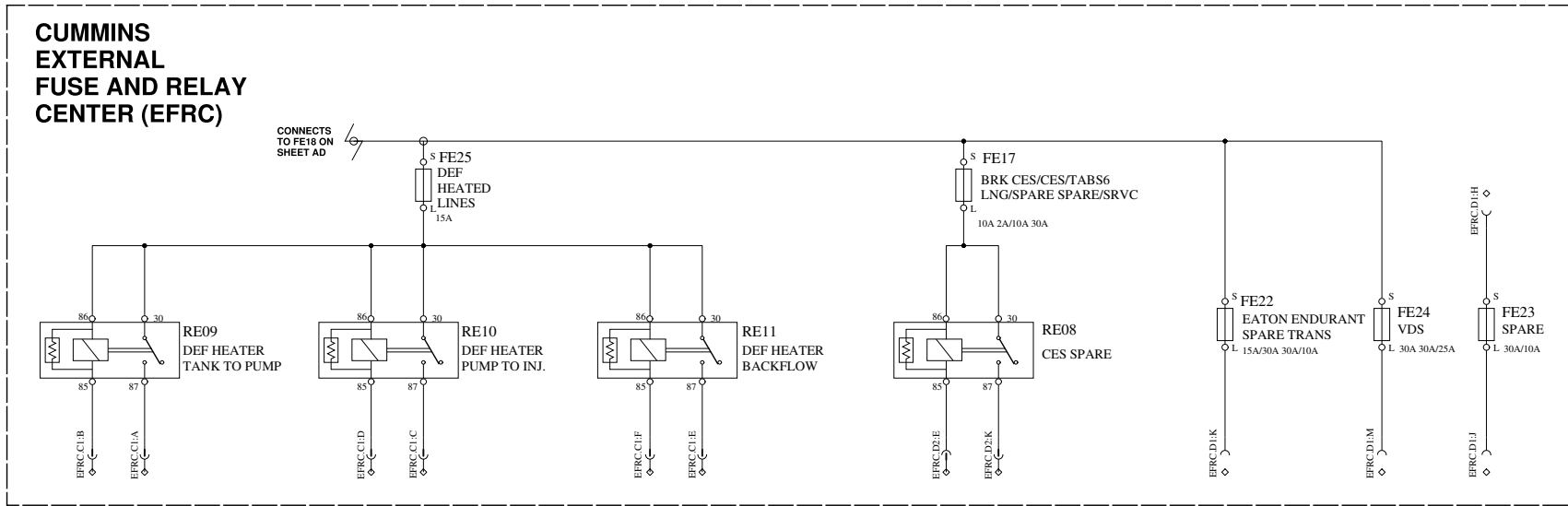
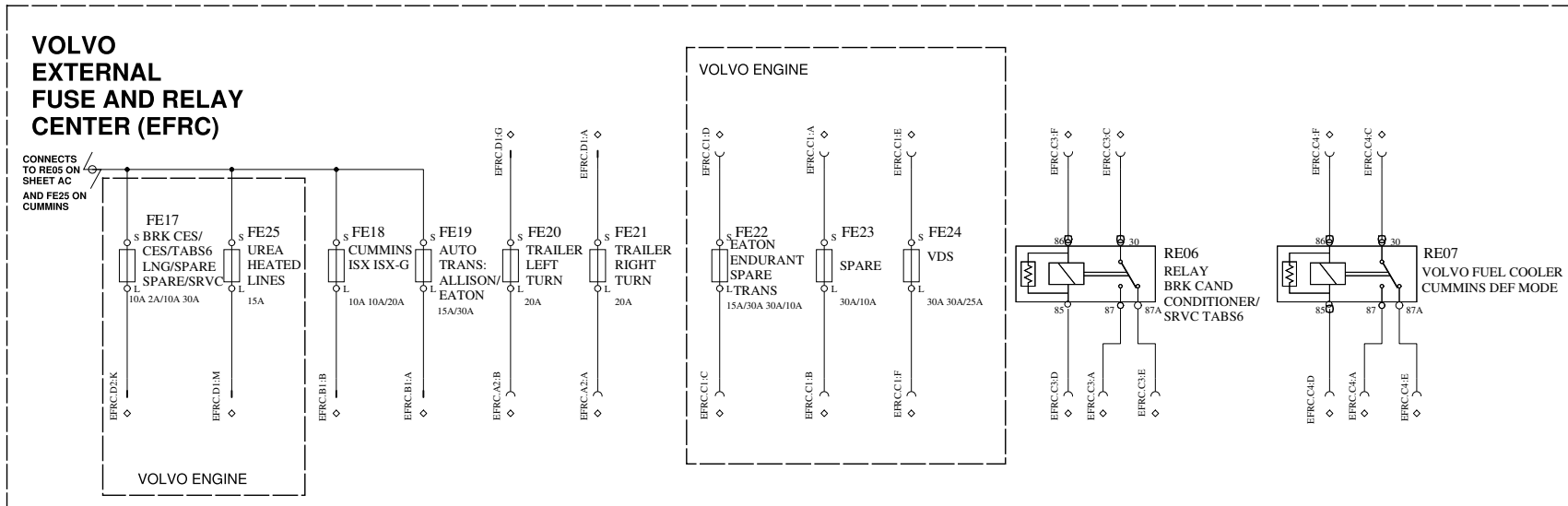
WIRING DIAGRAM: AB



IGN

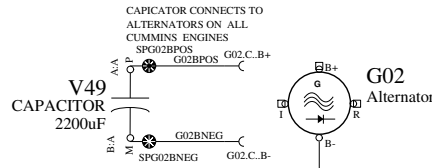
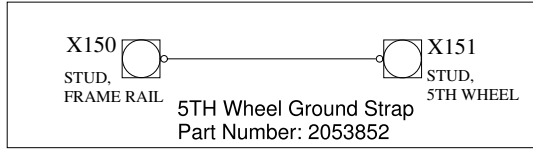


Volvo Truck Corporation	Document title WIRING DIAGRAM, 12V SCHEMATIC	Document No	Issue	Volume	Page
	Document type PRODUCT SCHEMATIC	23986311	04	1 (1)	4 (114)

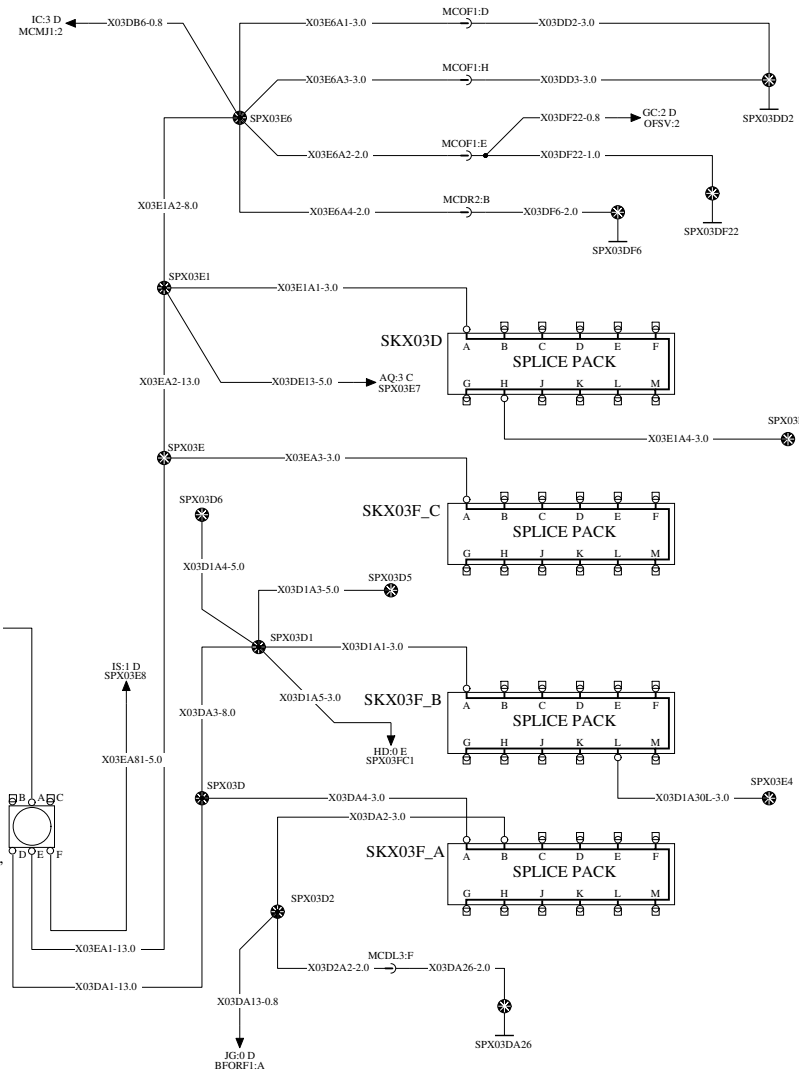
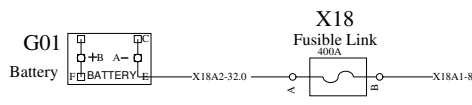
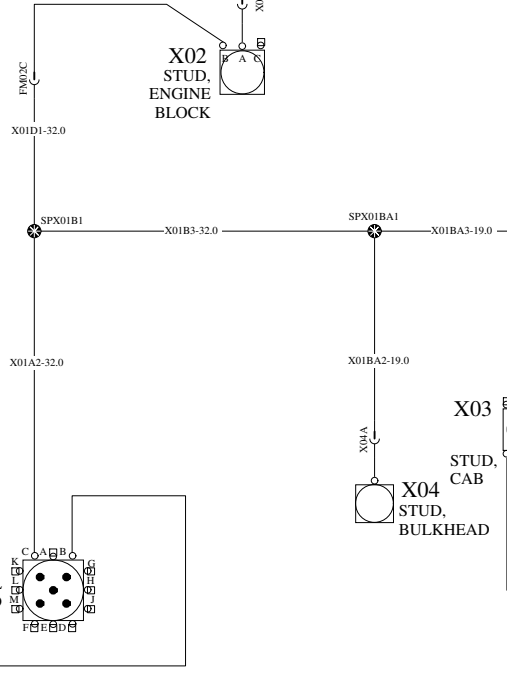
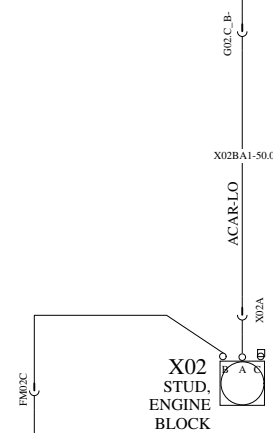
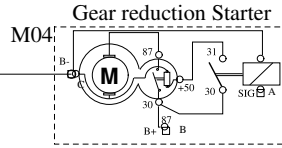


GROUNDING

WIRING DIAGRAM: AE

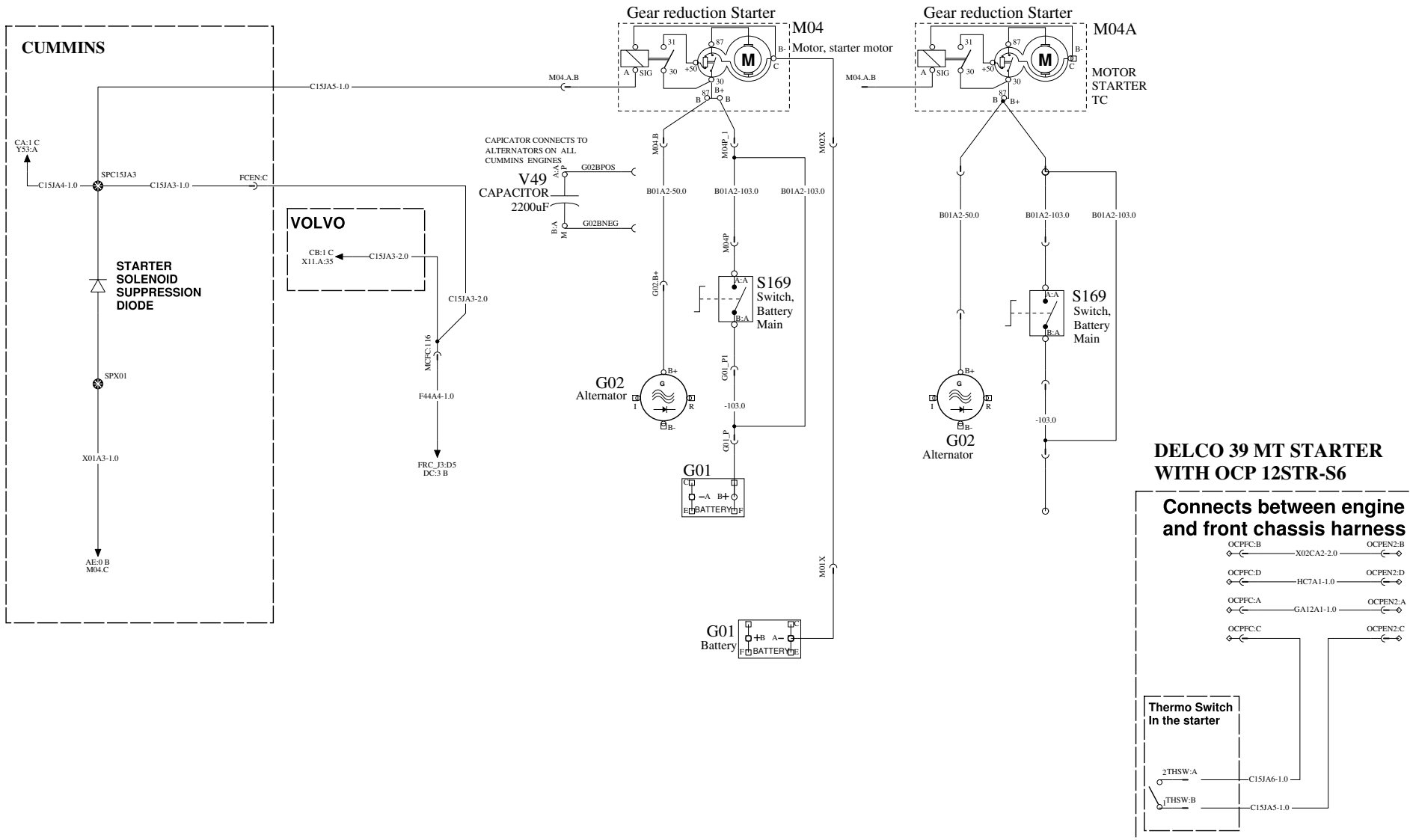


INDIVIDUAL GROUNDING CIRCUITS CONNECTED TO SPLICES, SPLICE PACKS AND GROUNDING STUDS FROM THIS PAGE ARE SHOWN ON PAGES SHOWING THE RESPECTIVE SYSTEM.



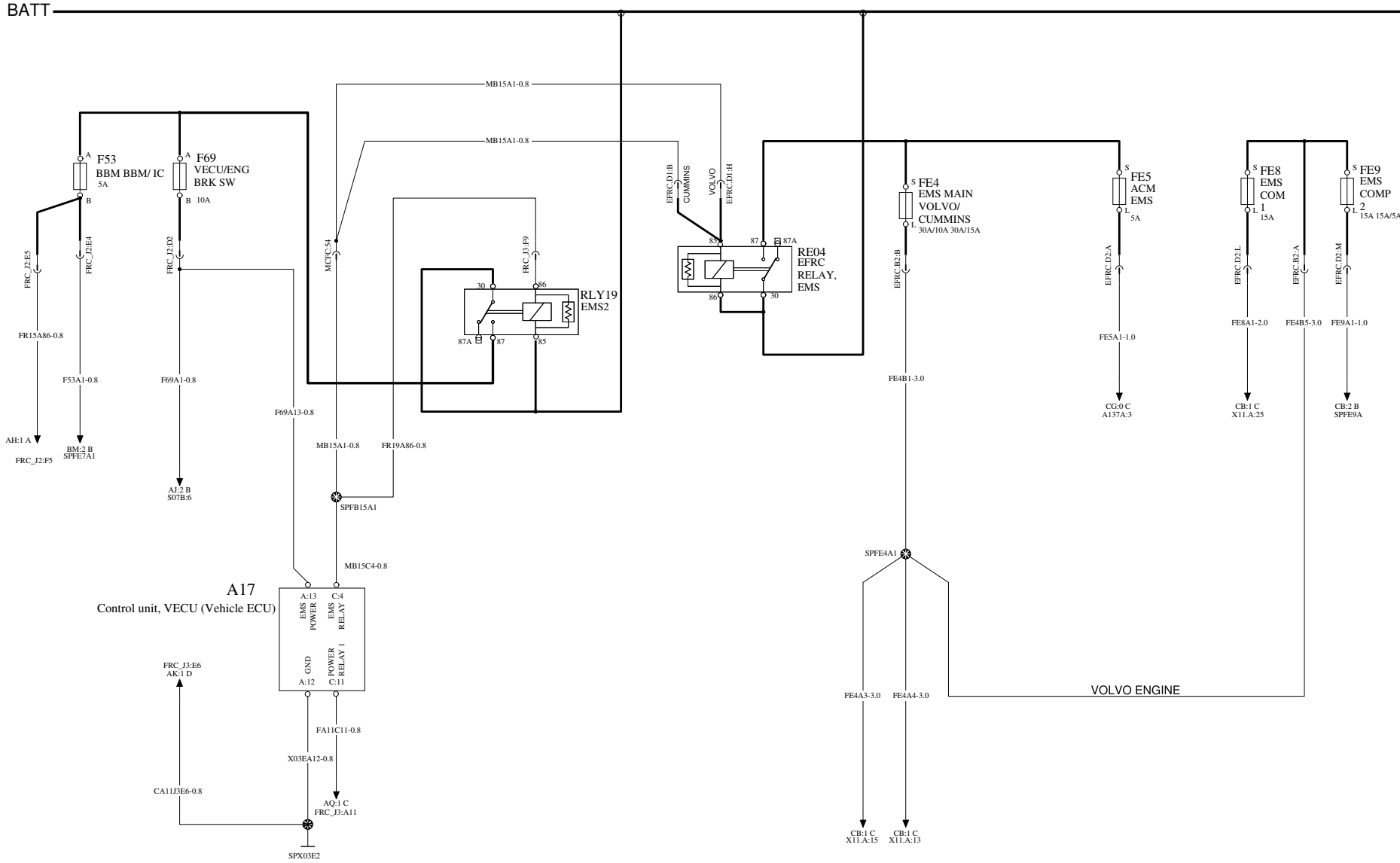
STARTING AND CHARGING

WIRING DIAGRAM: AF

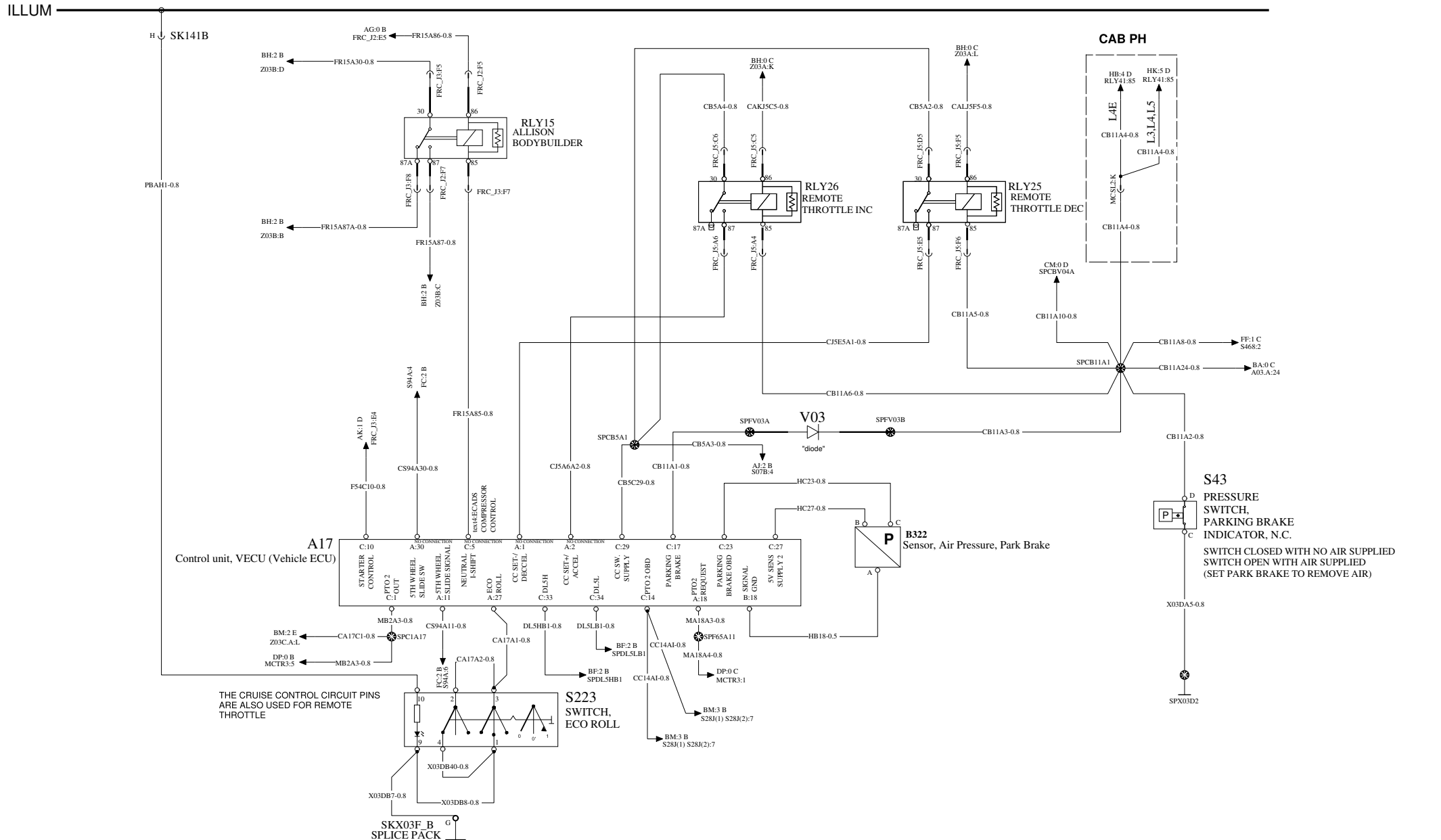


VEHICLE ECU 1/4 - EMS POWER CONTROL

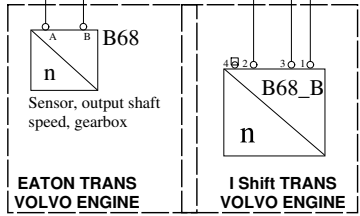
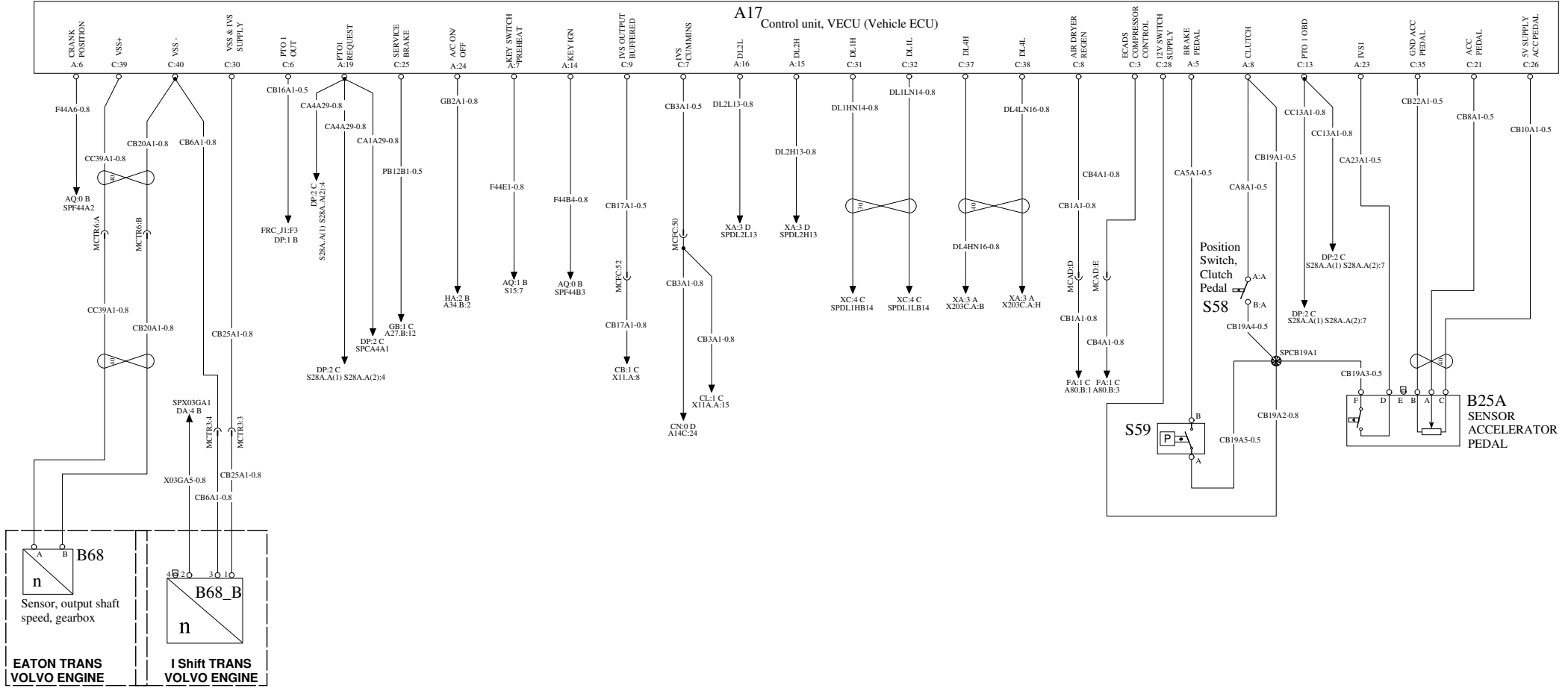
WIRING DIAGRAM: AG





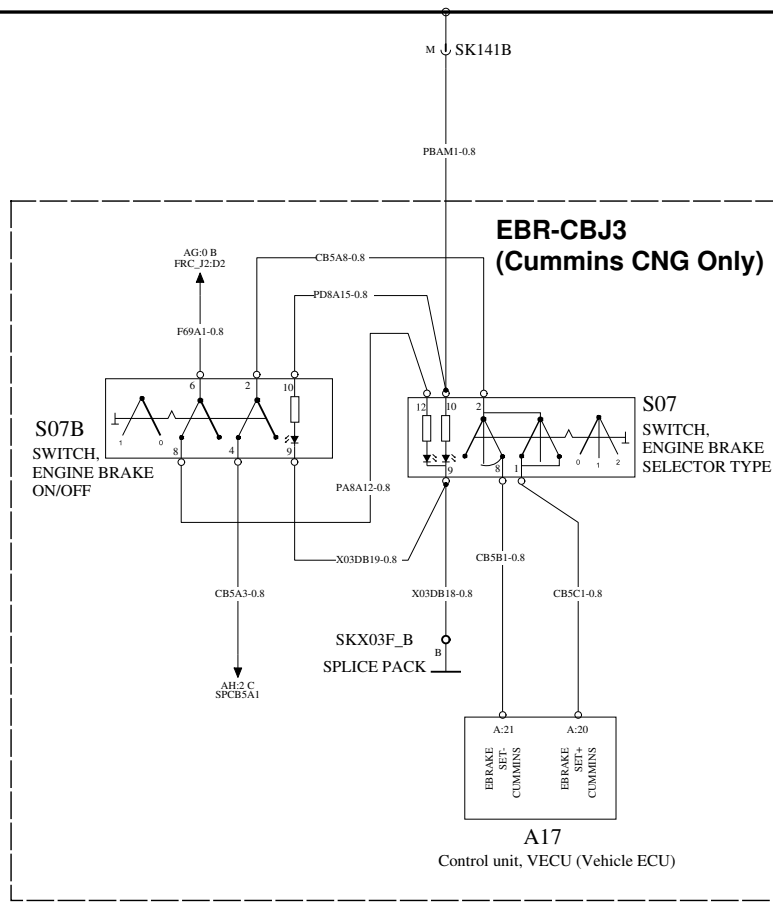


A17 Control unit, VECU (Vehicle ECU)

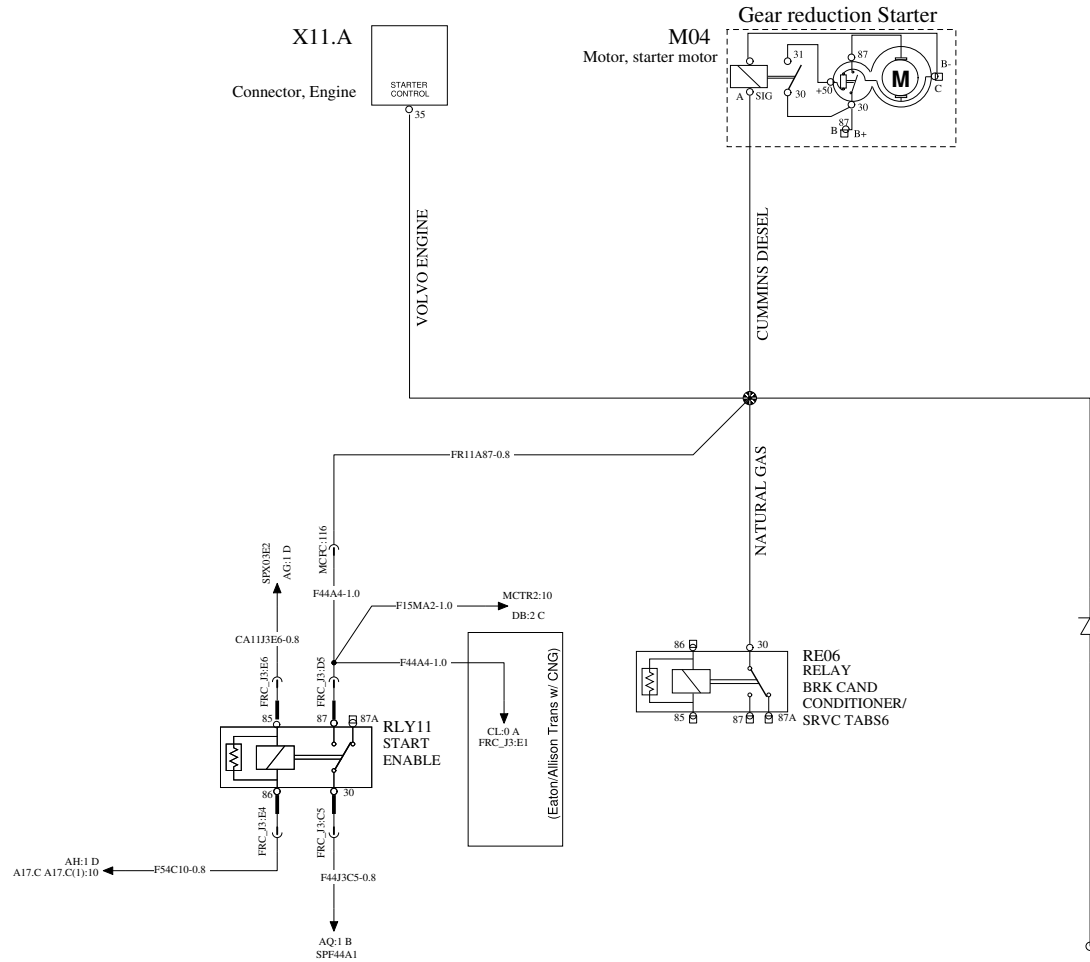


Volvo Truck Corporation	Document title	Document No	Issue	Volume	Page
	WIRING DIAGRAM, 12V SCHEMATIC	23986311	04	1 (1)	10 (114)
	Document type				
	PRODUCT SCHEMATIC				

ILLUM



KEY \_\_\_\_\_

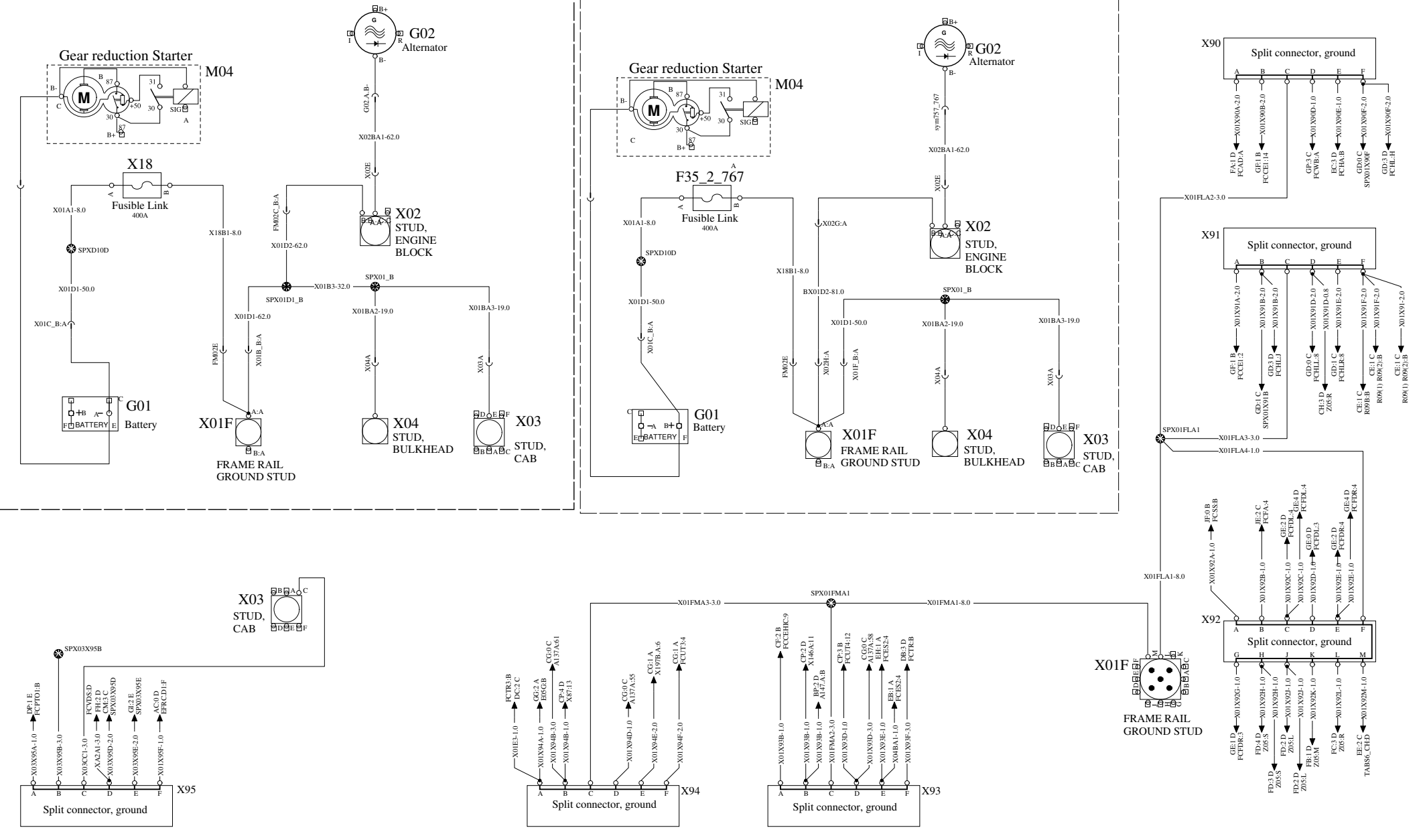


GROUNDING OPTIONS

WIRING DIAGRAM: AL

APCS\_B BBOX-L

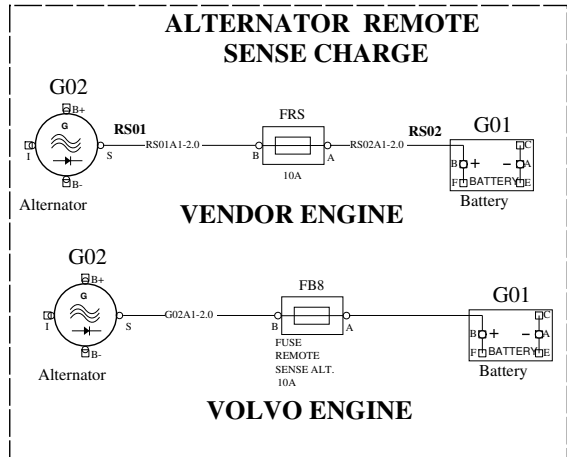
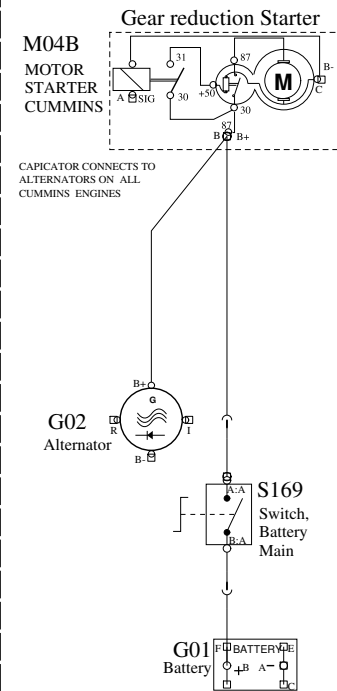
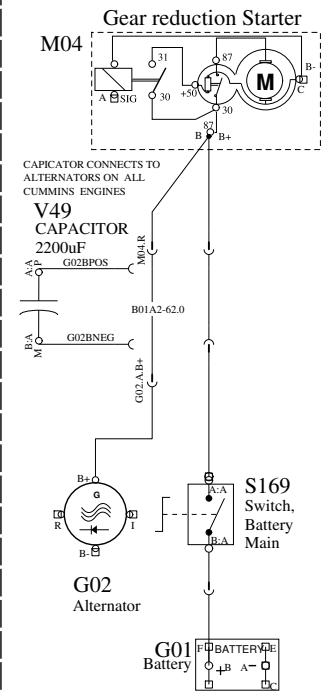
APCS\_B BBOX-L



# CHARGING AND POWER CABLE OPTIONS

## ACAR-HI BBOX-L

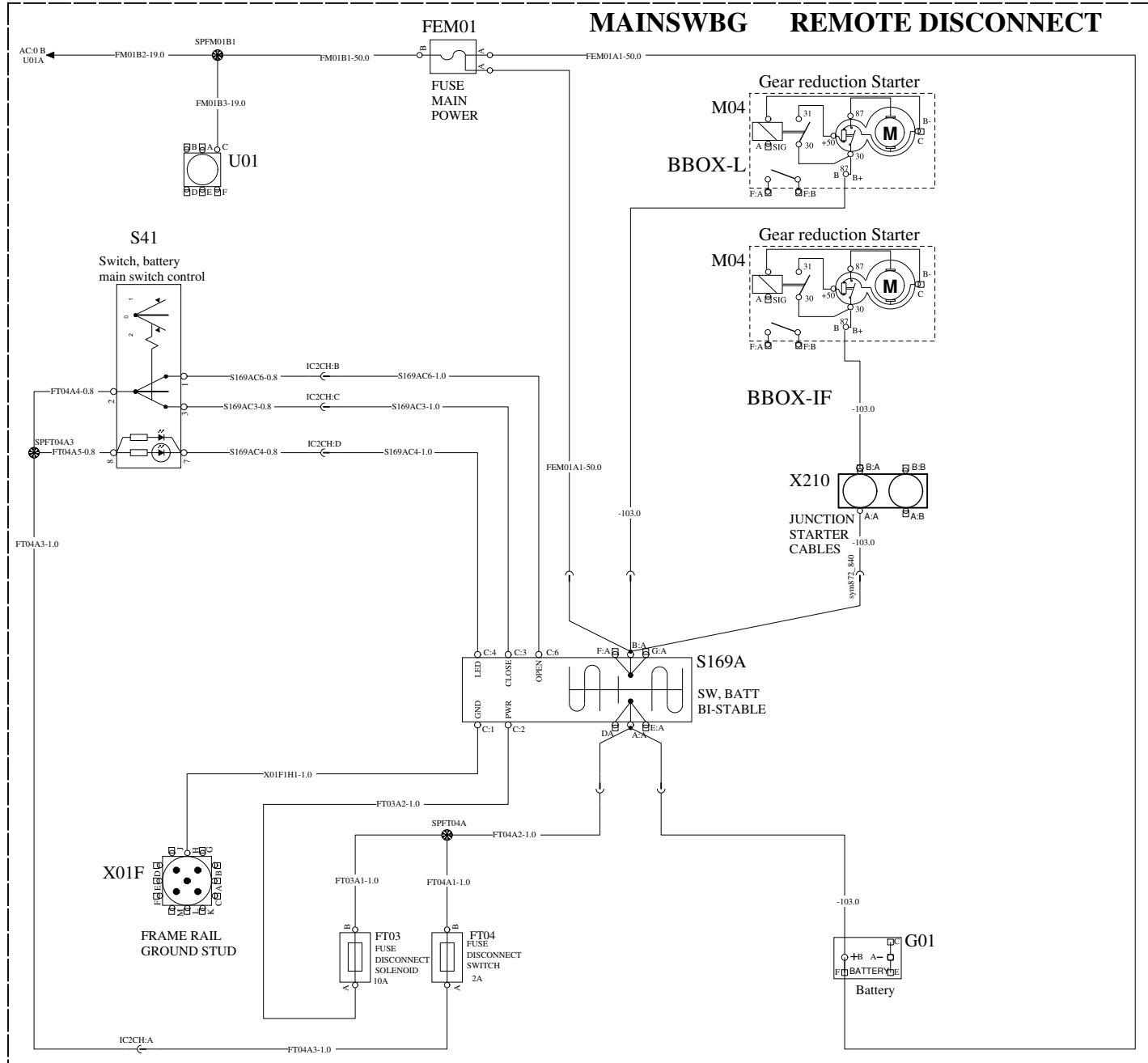
## ENG-CU15 BBOX-IF



# WIRING DIAGRAM: AM

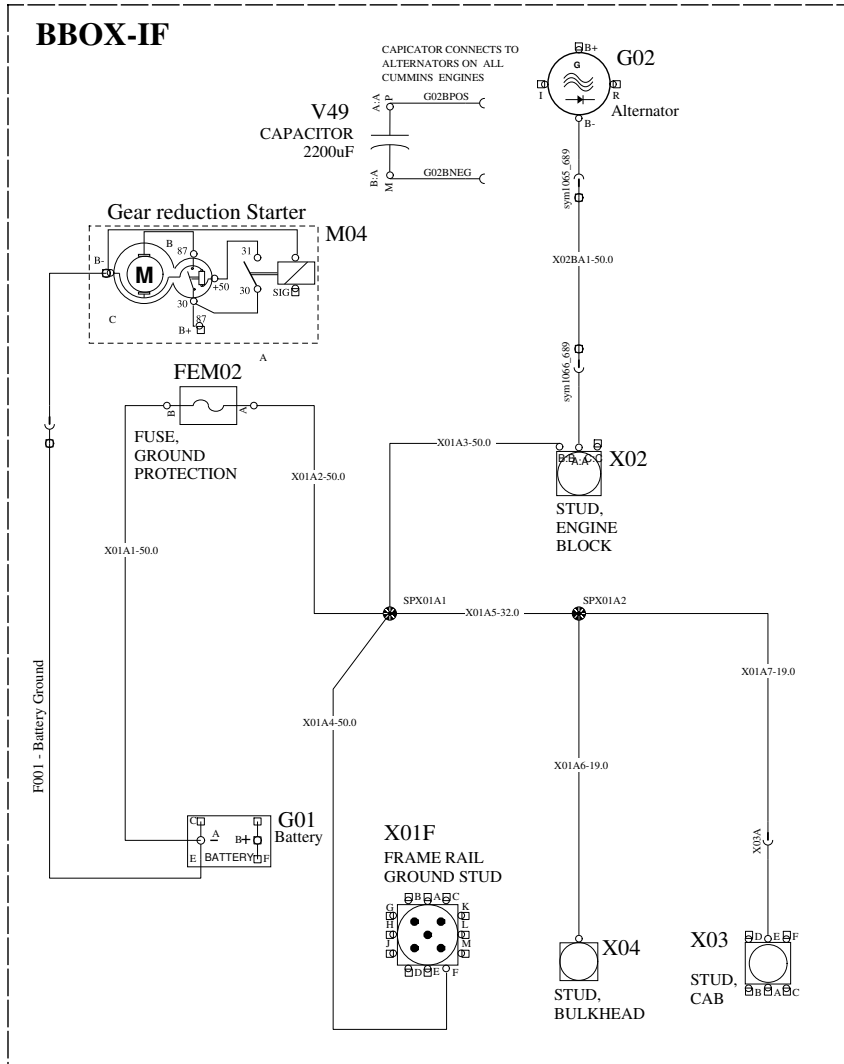
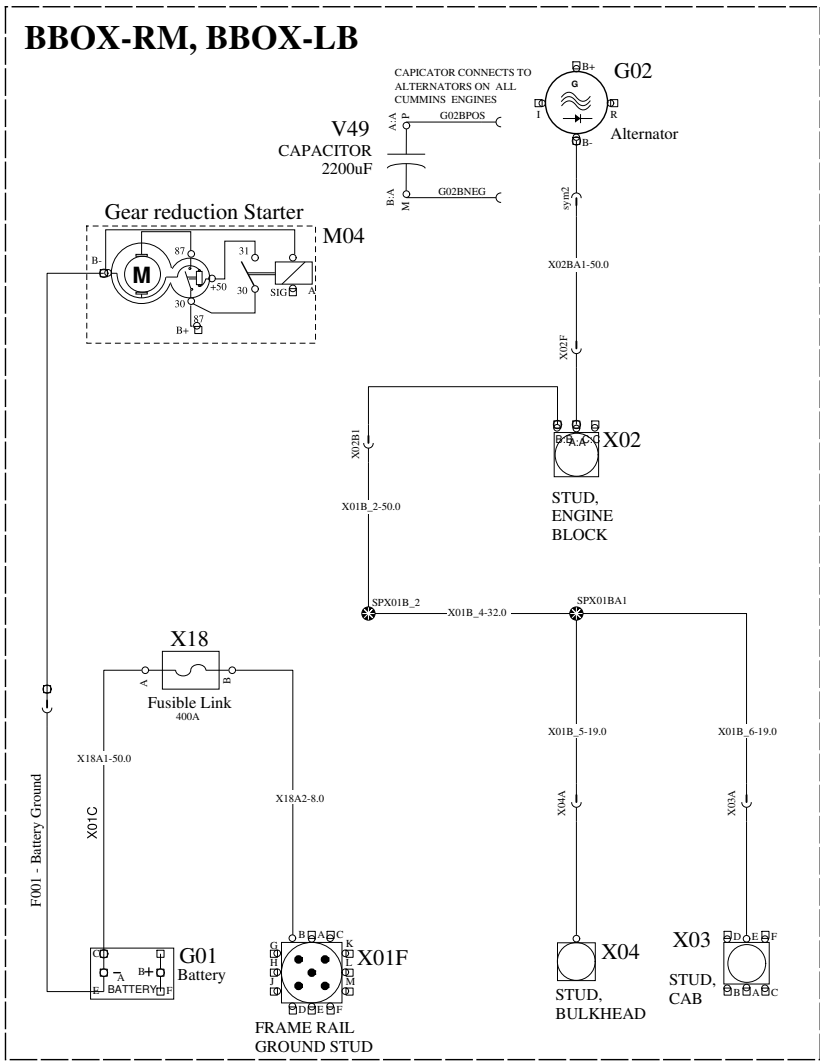
## MAINSWBG

## REMOTE DISCONNECT



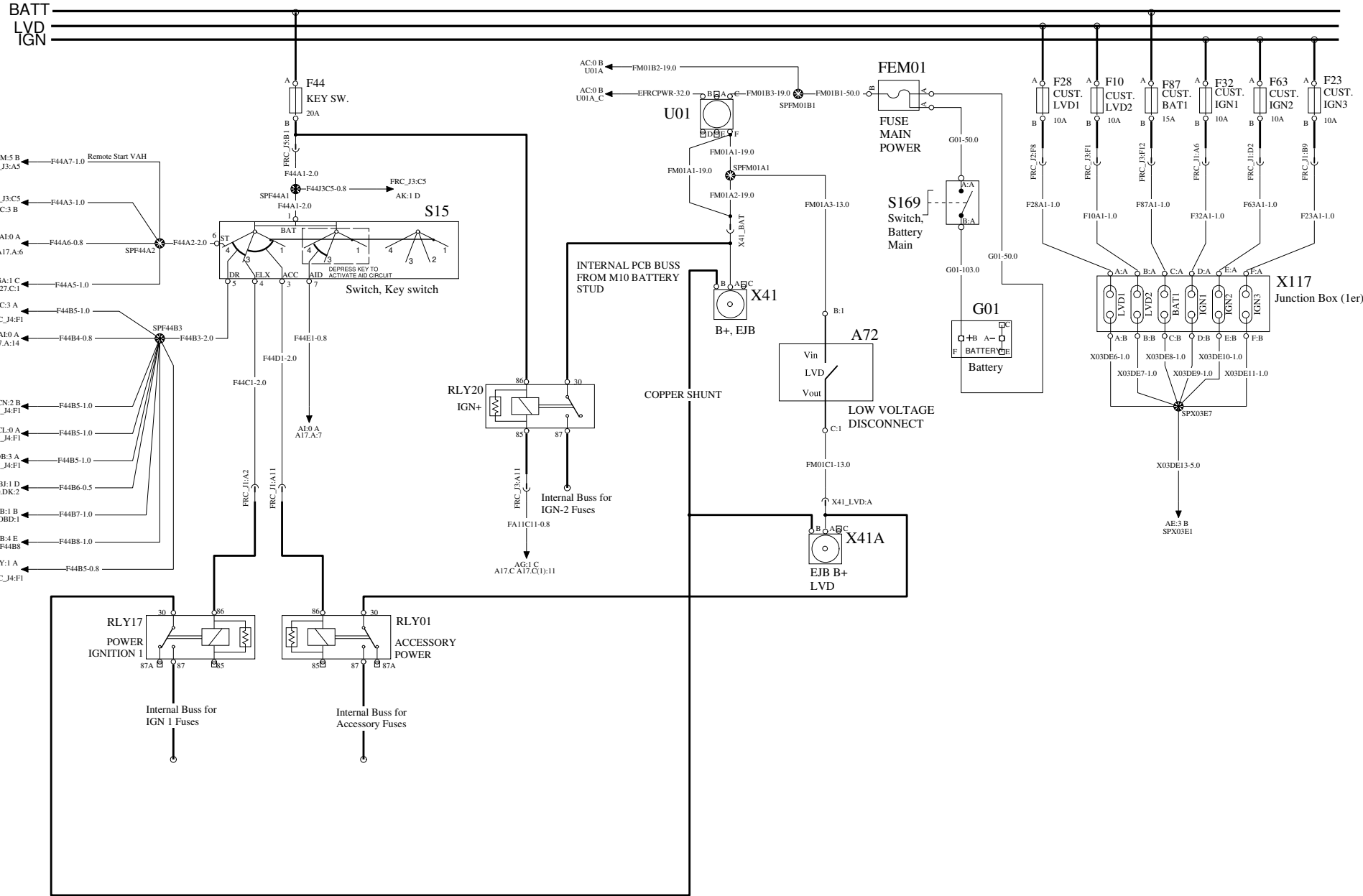
GROUNDING OPTIONS

WIRING DIAGRAM: AN



POWER DISTRIBUTION

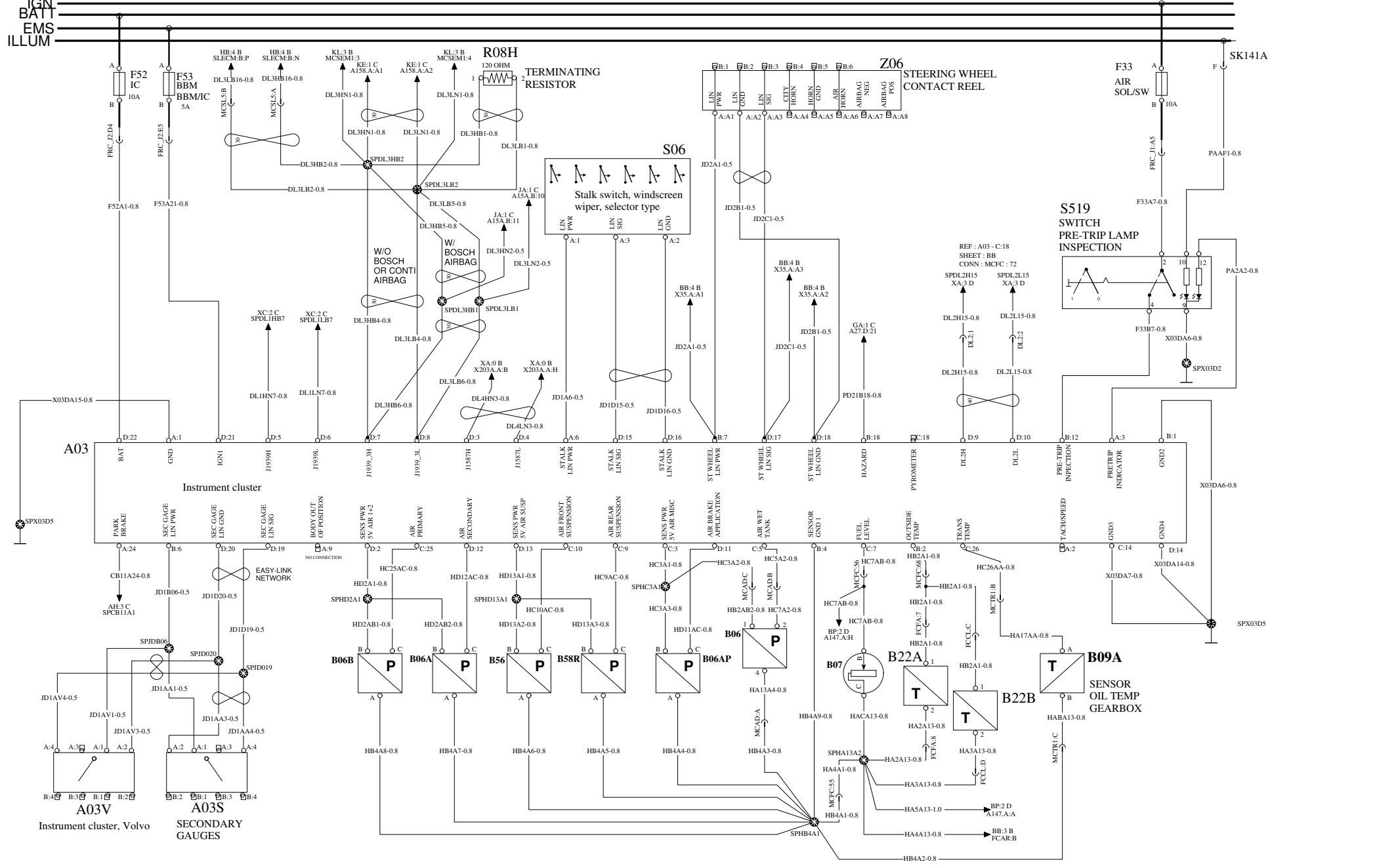
WIRING DIAGRAM: AQ

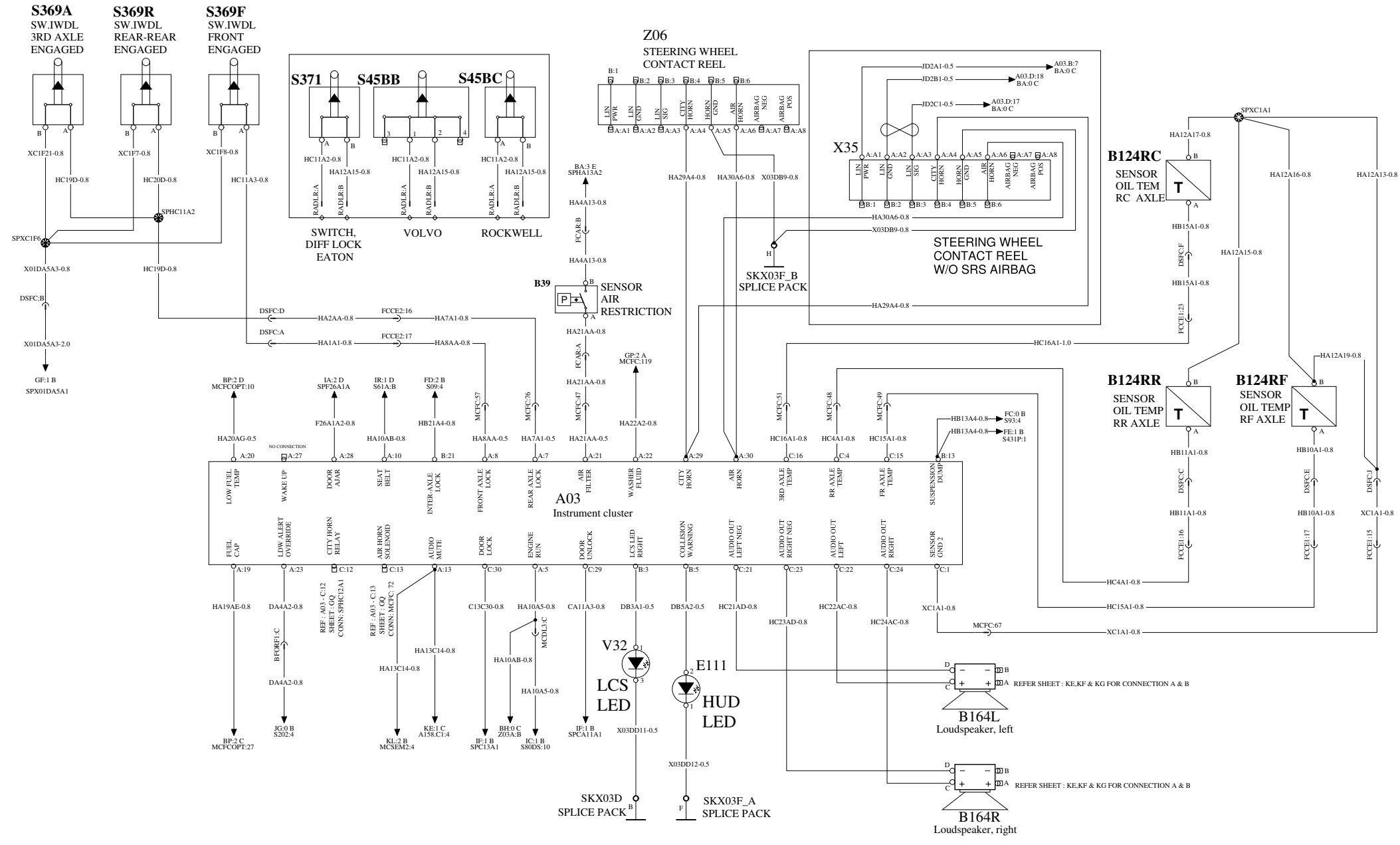


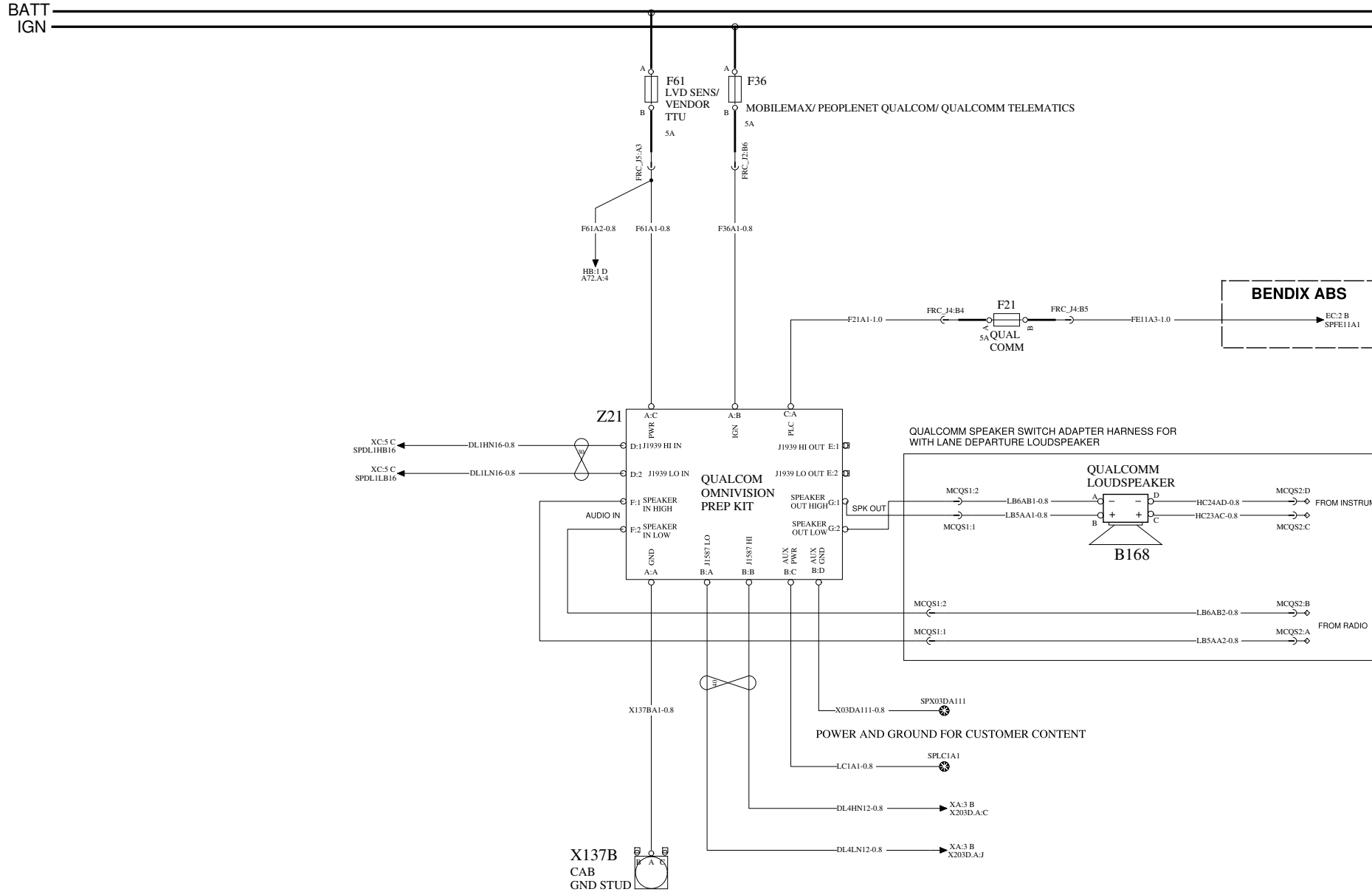


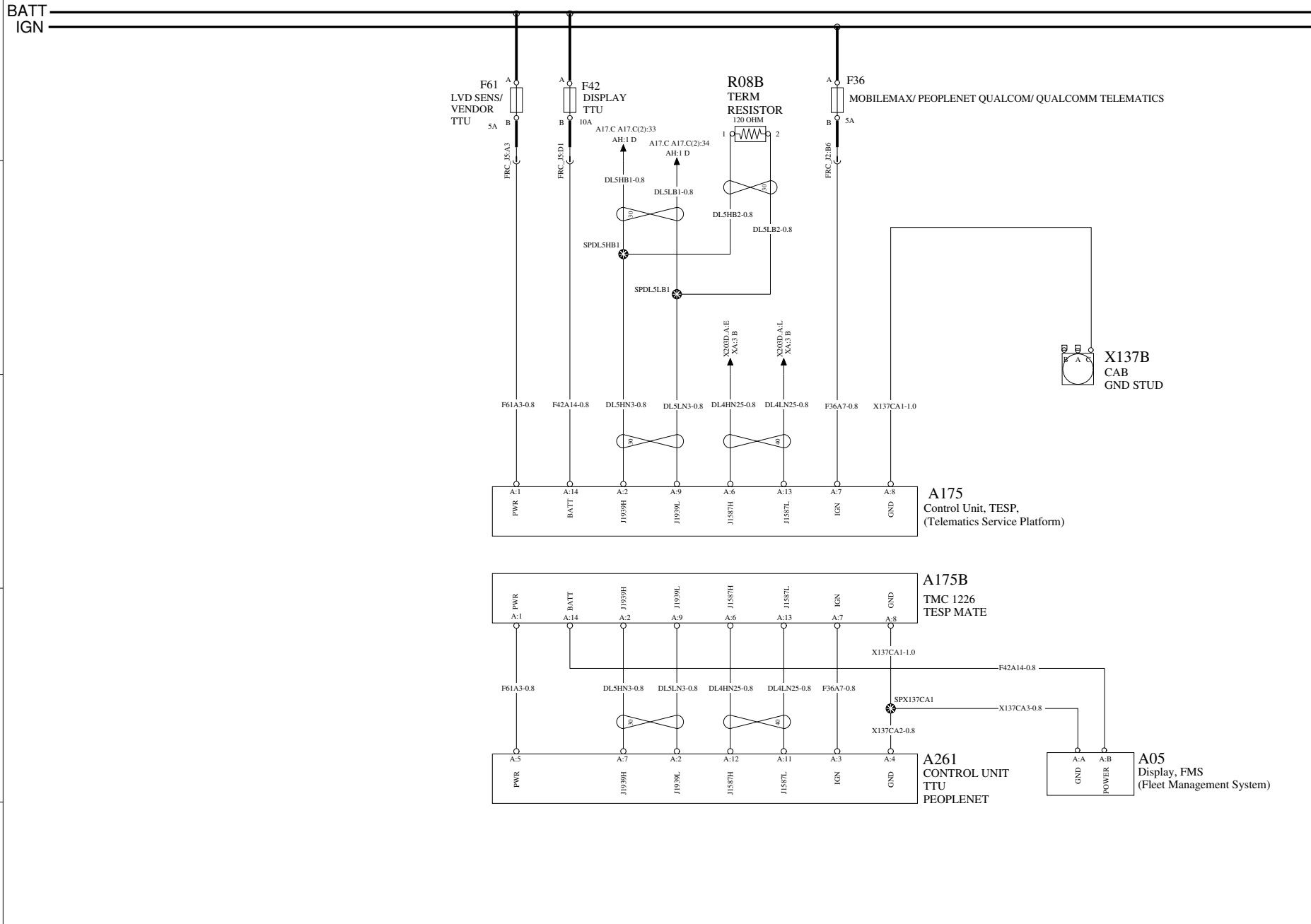
INSTRUMENT CLUSTER 1/2

WIRING DIAGRAM: BA









Volvo Truck Corporation	Document title	Document No	Issue	Volume	Page
	WIRING DIAGRAM, 12V SCHEMATIC	23986311	04	1 (1)	20 (114)
	Document type				
	PRODUCT SCHEMATIC				

BODYBUILDER

WIRING DIAGRAM: BH

LVD  
IGN

A

A

B

B

C

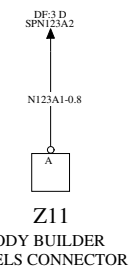
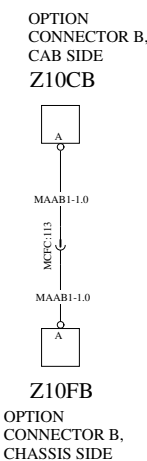
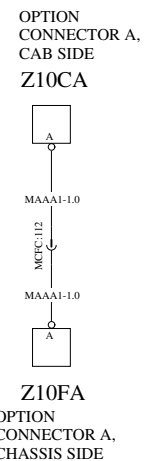
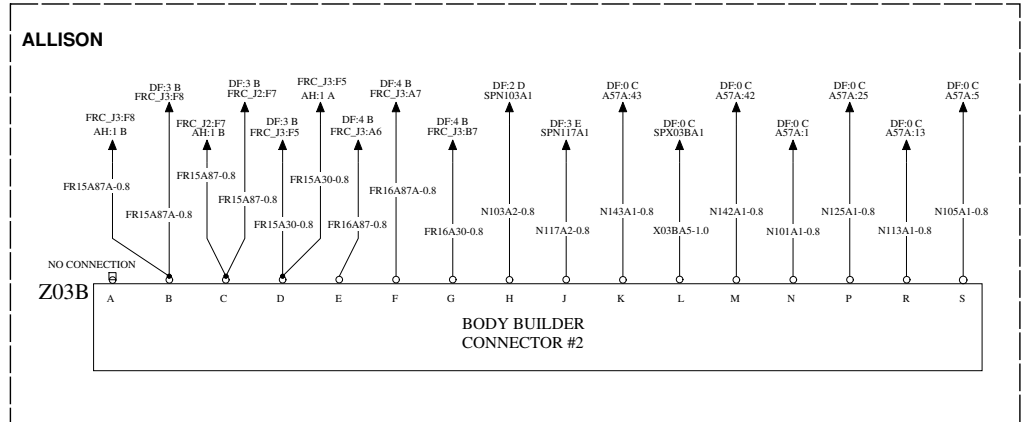
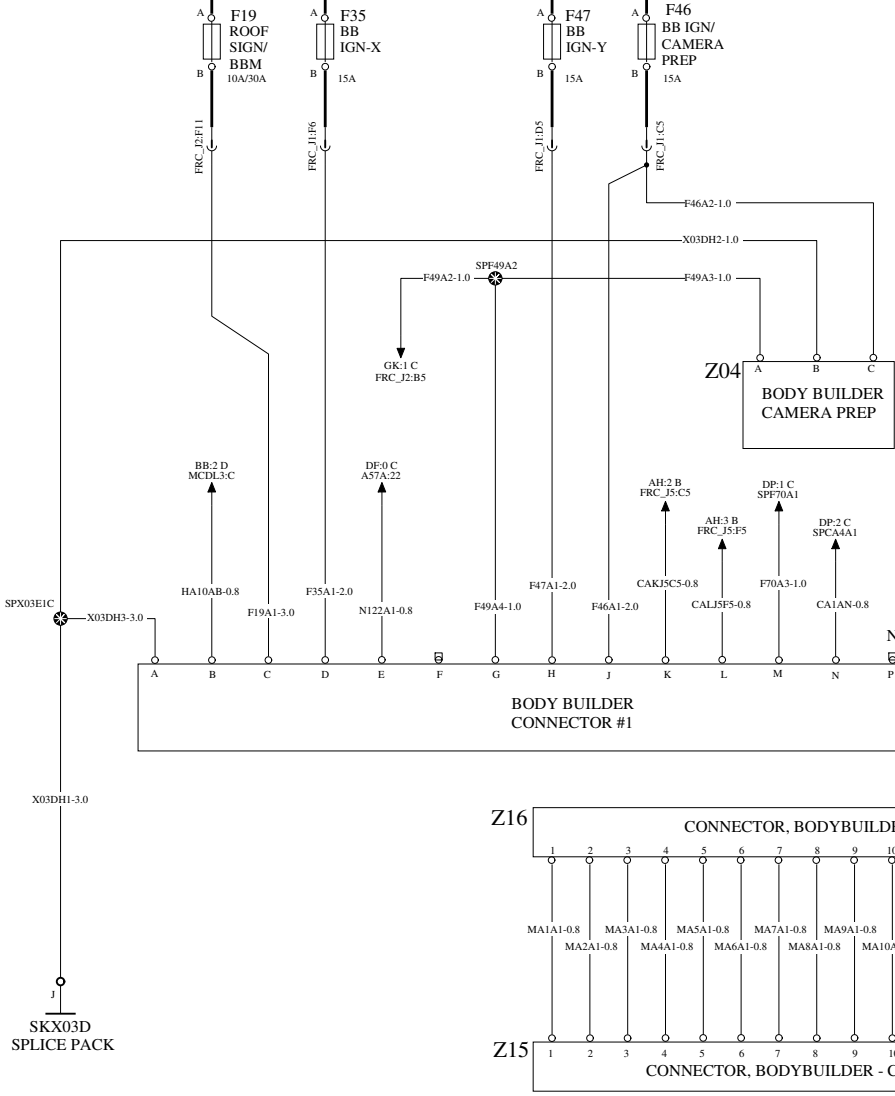
C

D

D

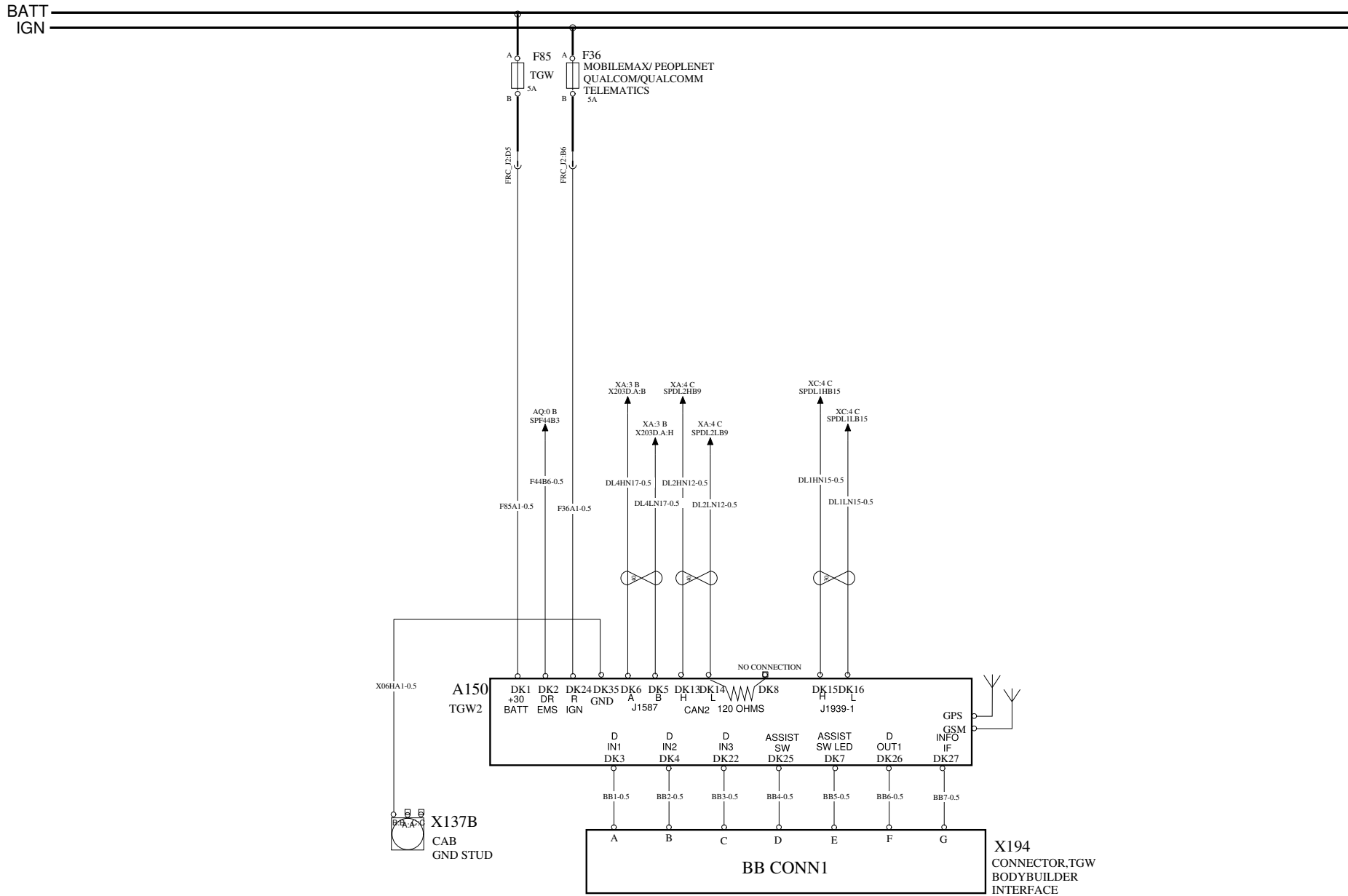
E

E



TELEMATICS GATEWAY (TGW)

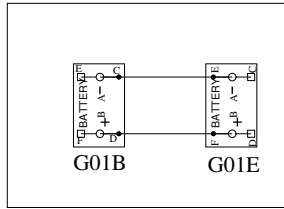
WIRING DIAGRAM: BJ



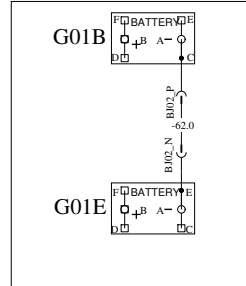
BATTERY BUSSING

WIRING DIAGRAM: BL

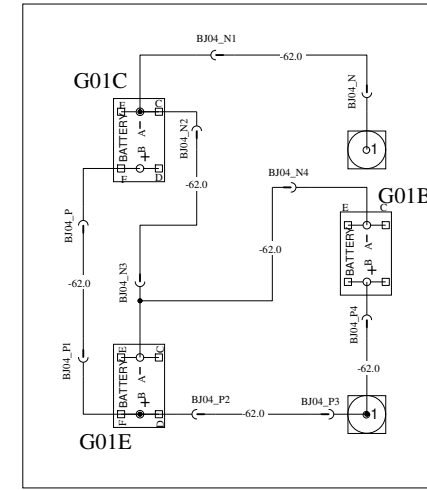
BATTB-N W/ 2 BATTERIES  
BUSS BARS



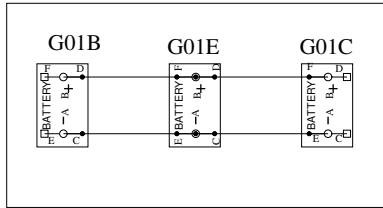
BATTB-S W/2 BATTERIES  
CABLES FOR JUMPERS



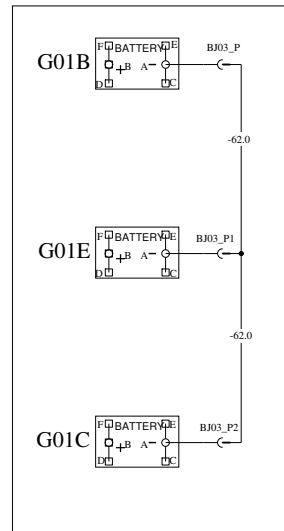
BATTB-SS W/ 3 BATTERIES  
CABLES FOR JUMPERS



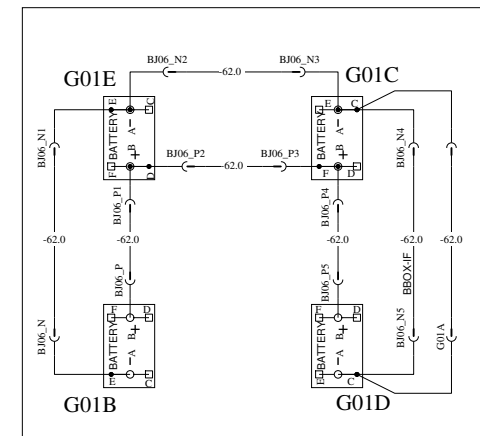
BATTB-N W/ 3 BATTERIES  
BUSS BARS



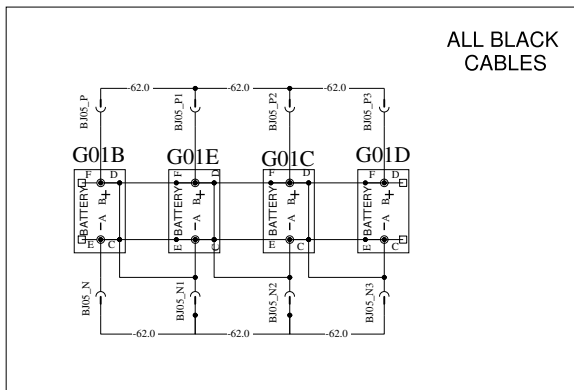
BATTB-S W/ 3 BATTERIES  
CABLES FOR JUMPERS



BBOX\_IF / CBBOX\_IF CABLES FOR JUMPERS

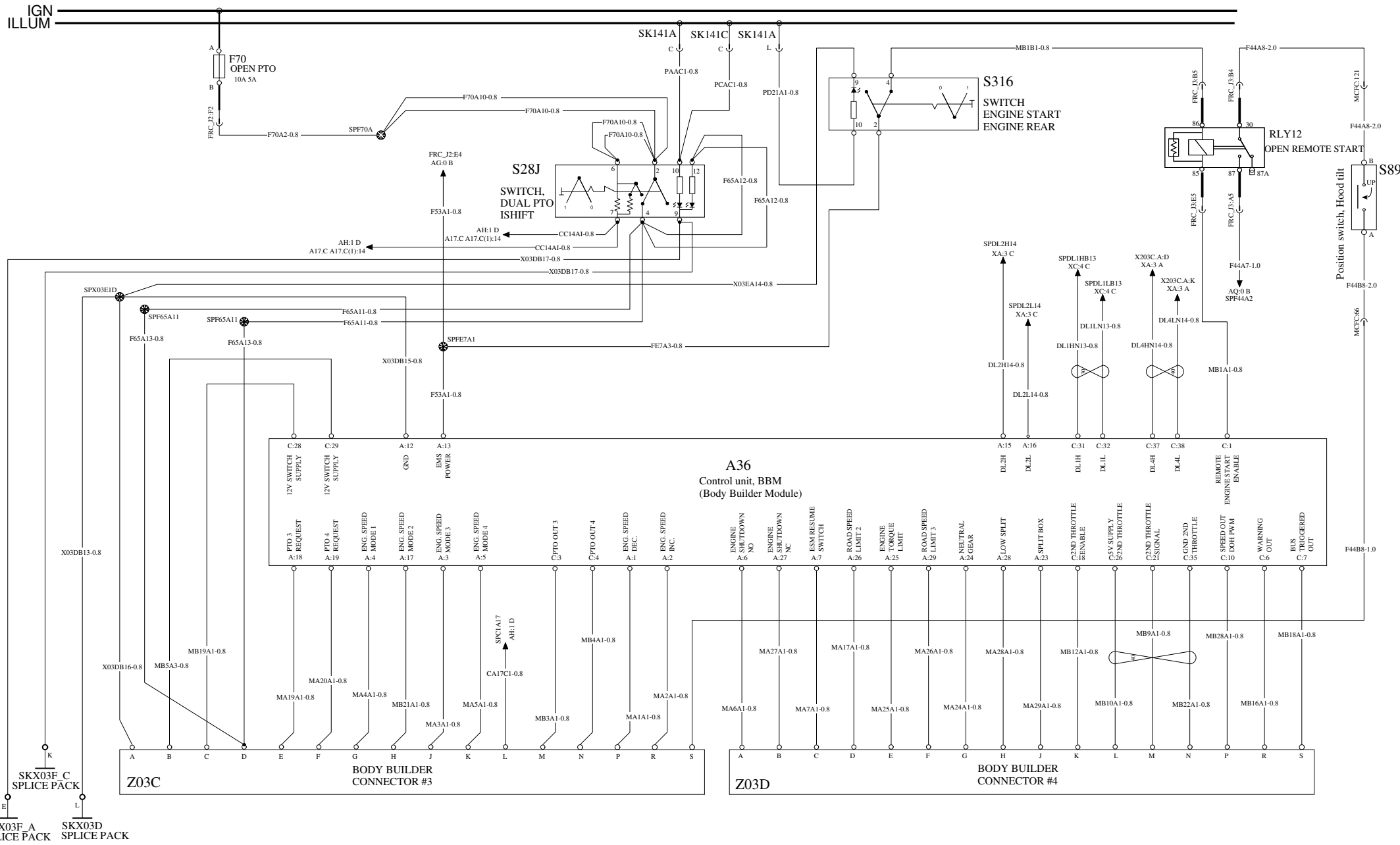


BATTB-N W/ 4 BATTERIES BUSS BARS  
BATTB-N W/ 4 BATTERIES FOR JUMPERS



BODYBUILDER MODULE

WIRING DIAGRAM: BM





0

1

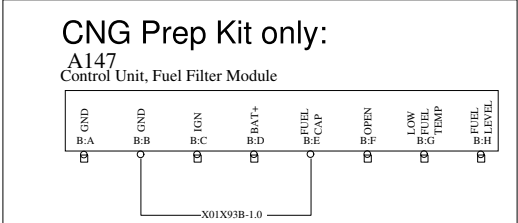
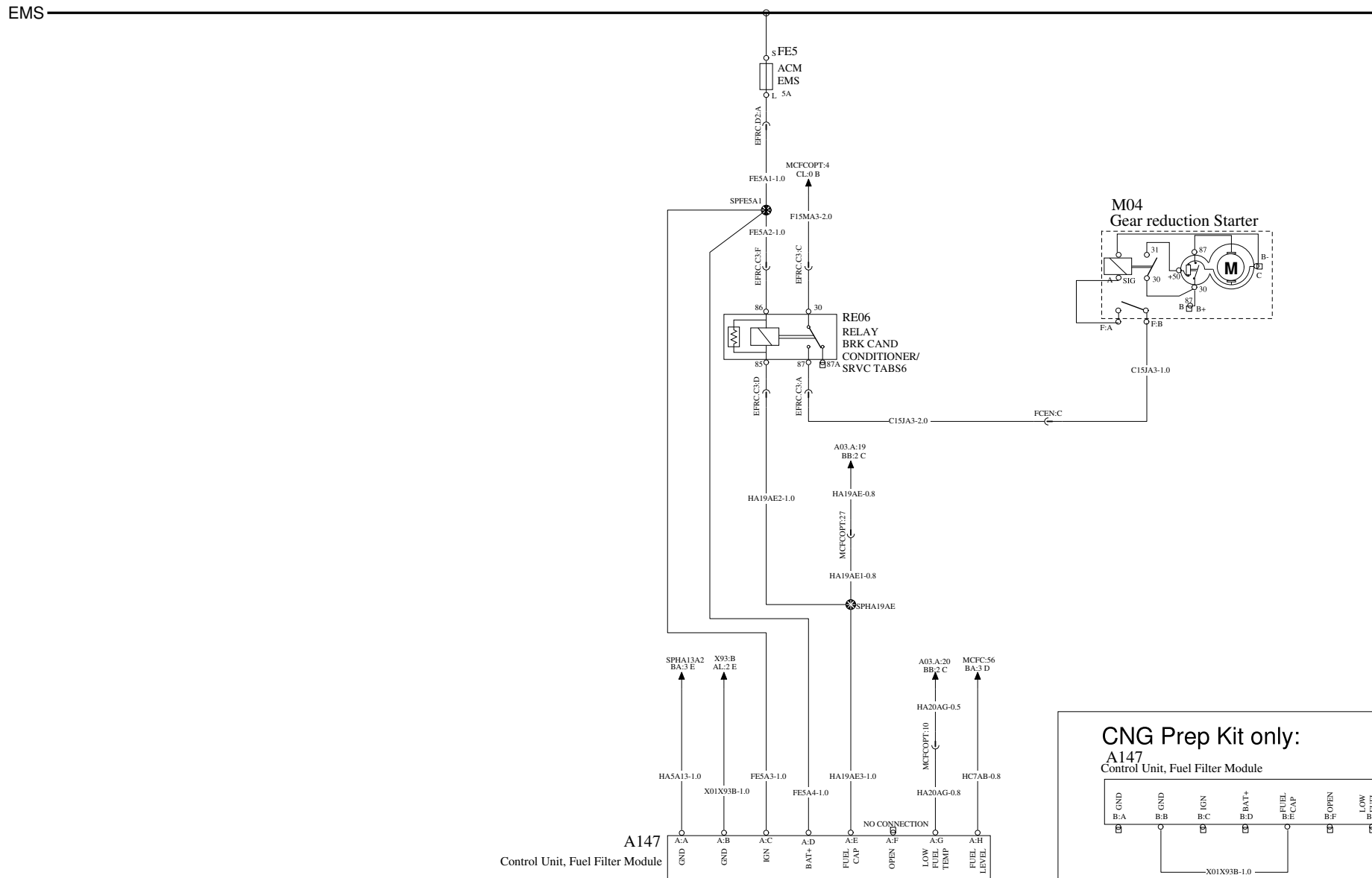
2

3

4

# ISX-G FUEL SYSTEM

# WIRING DIAGRAM: BP



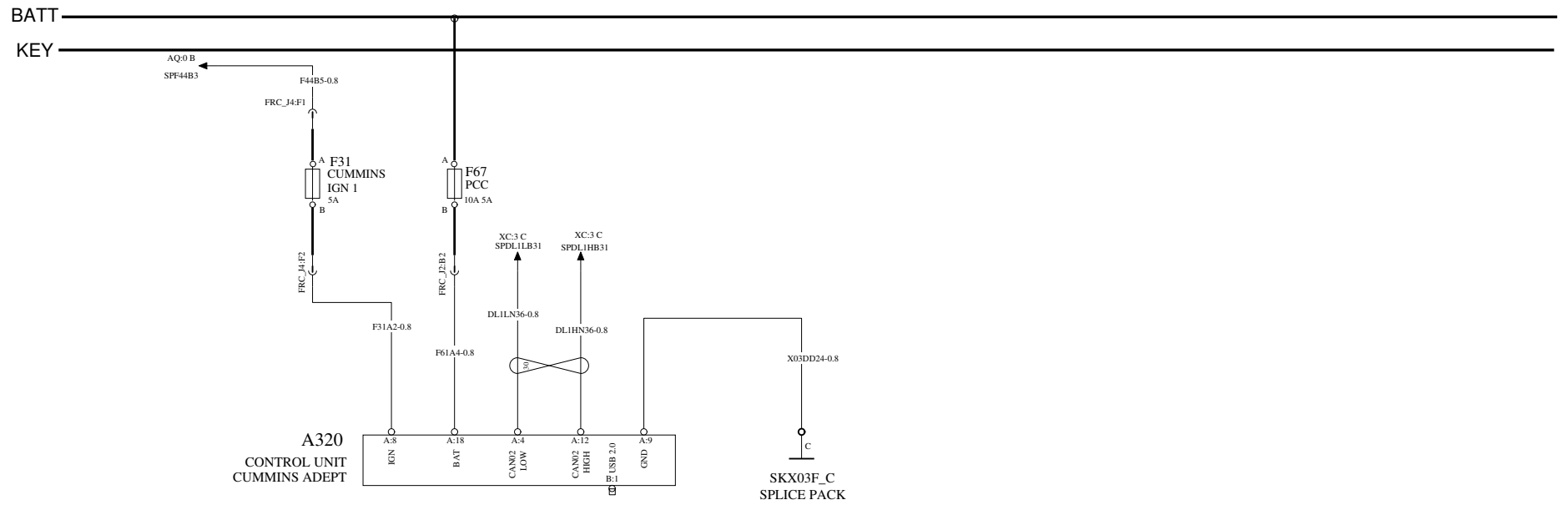
0

1

2

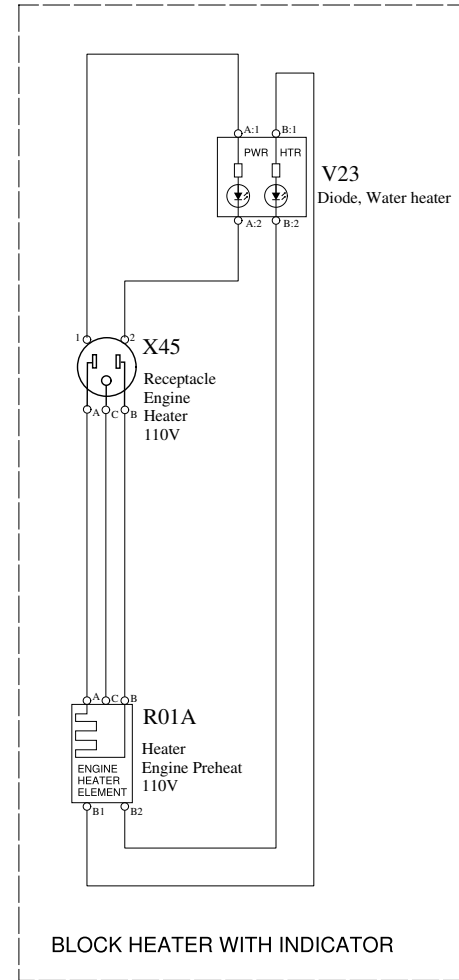
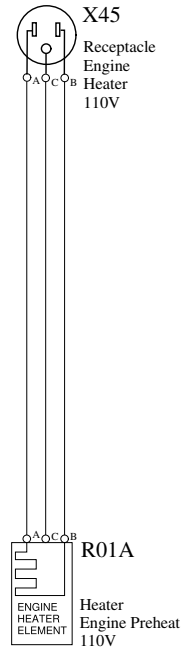
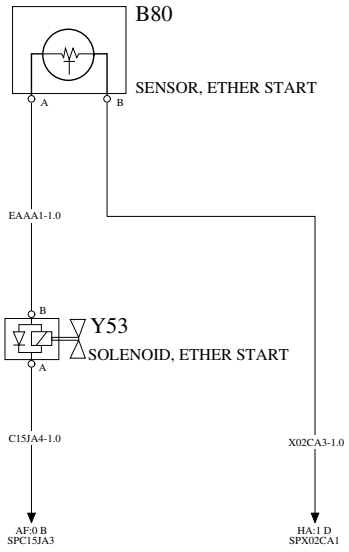
3

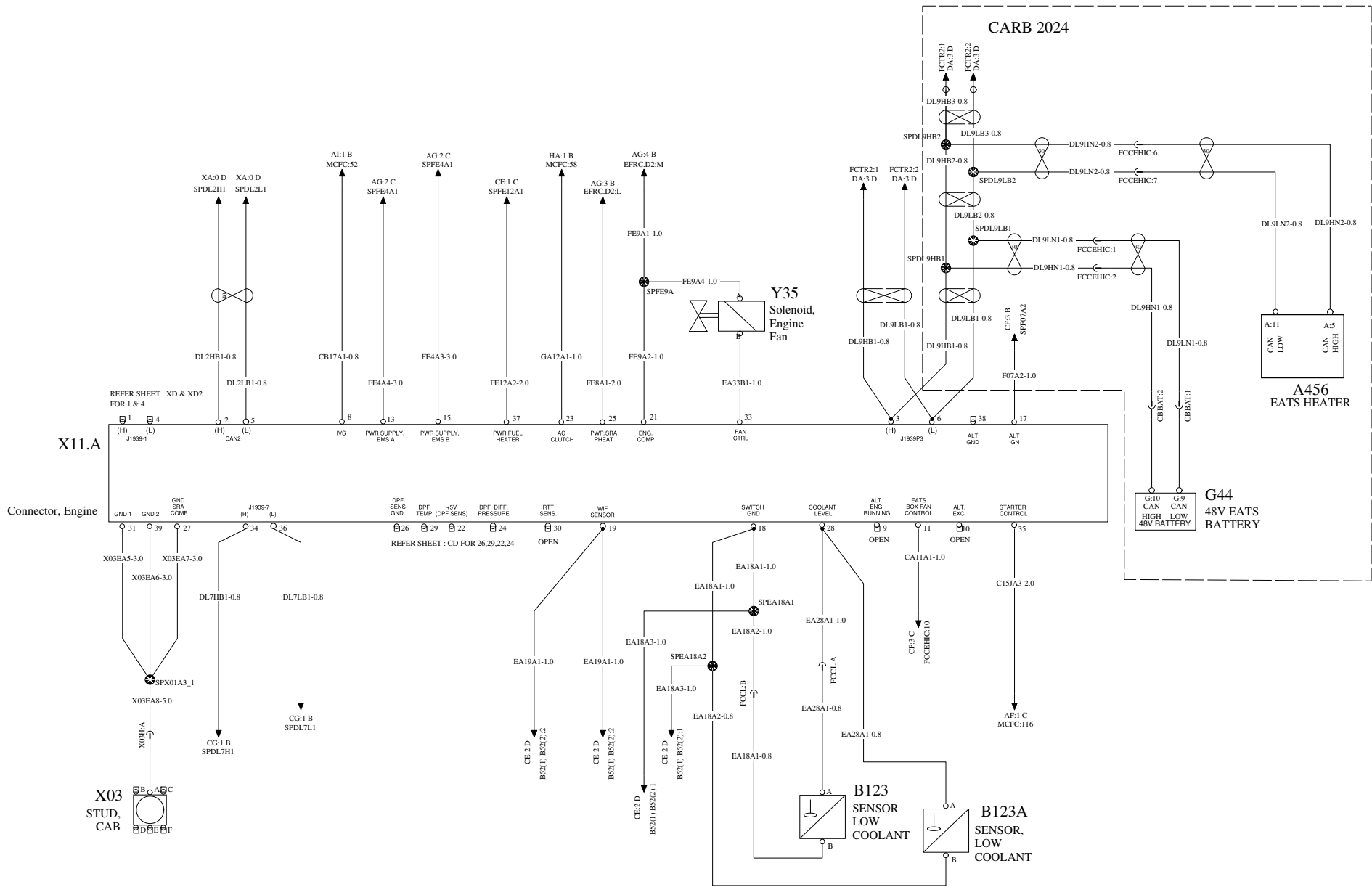
4



ETHER START/ENGINE HEATER

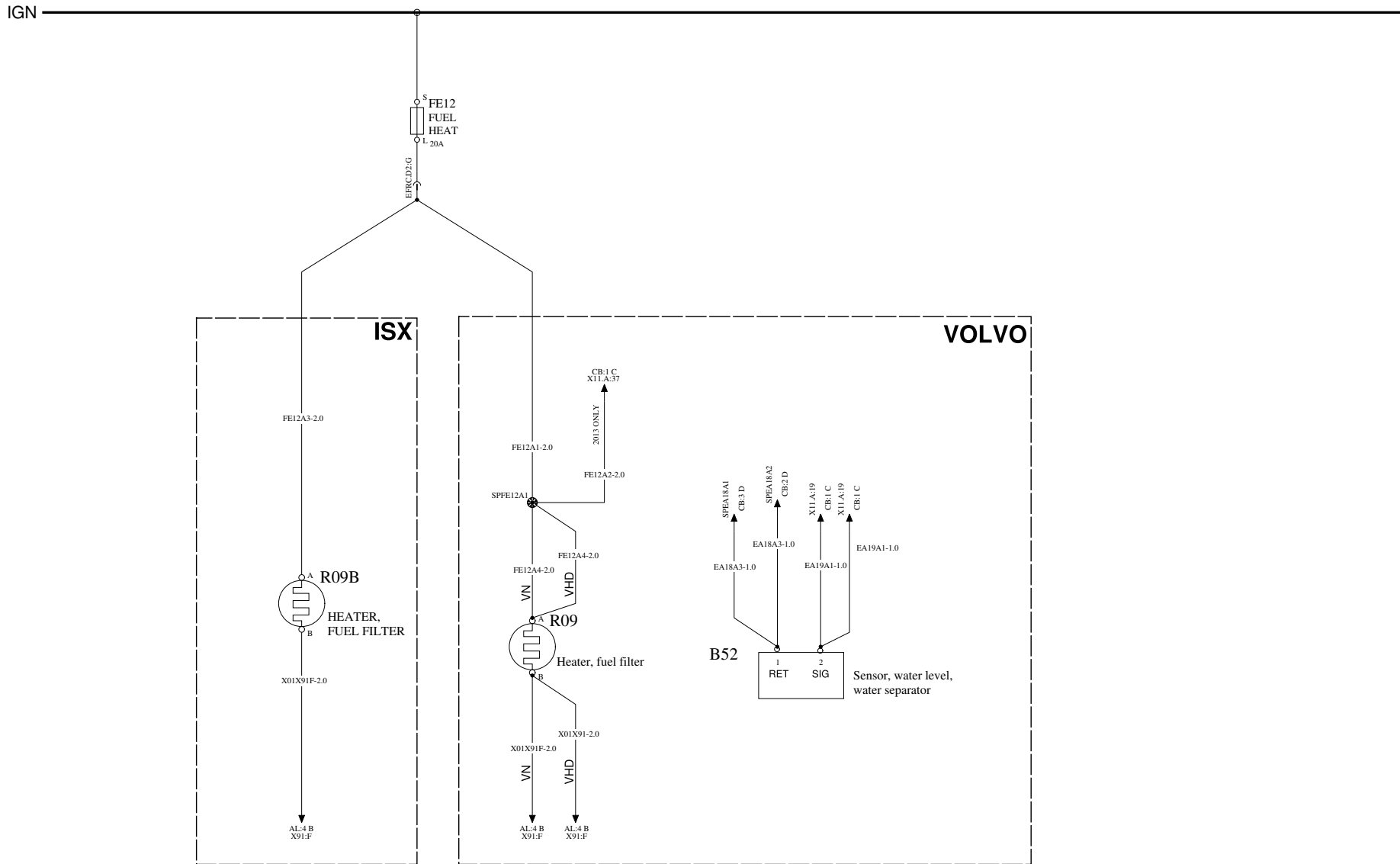
WIRING DIAGRAM: CA

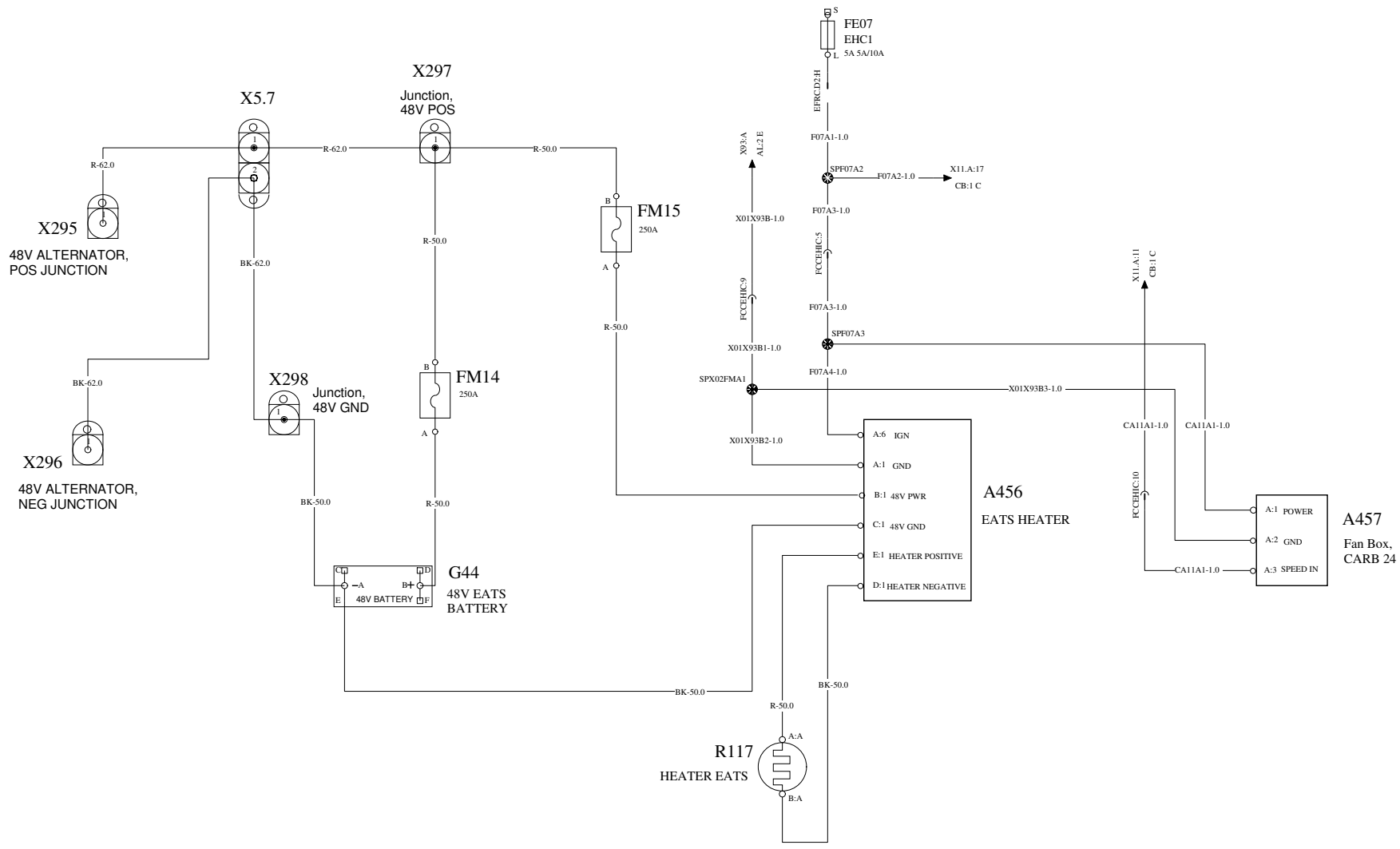


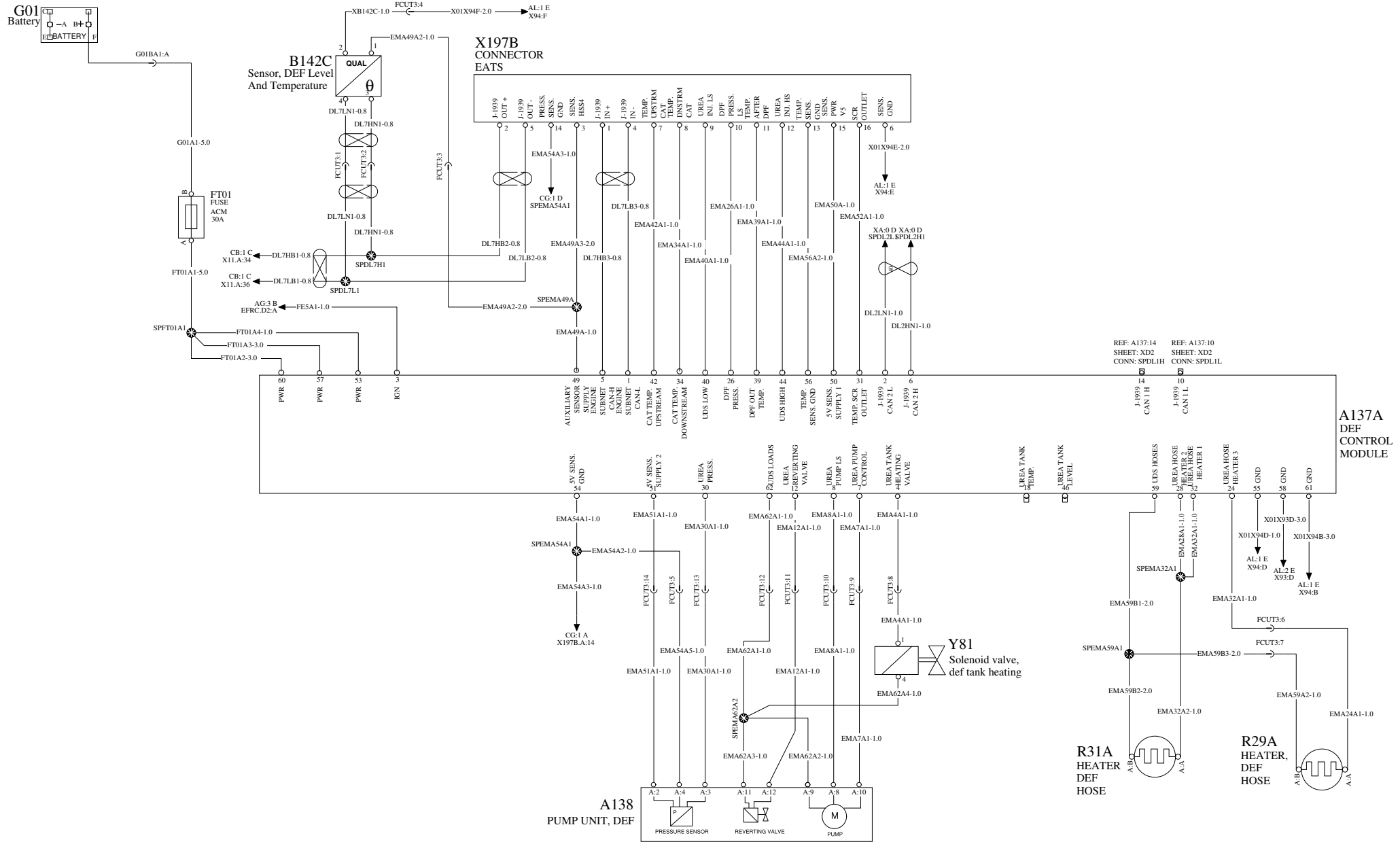


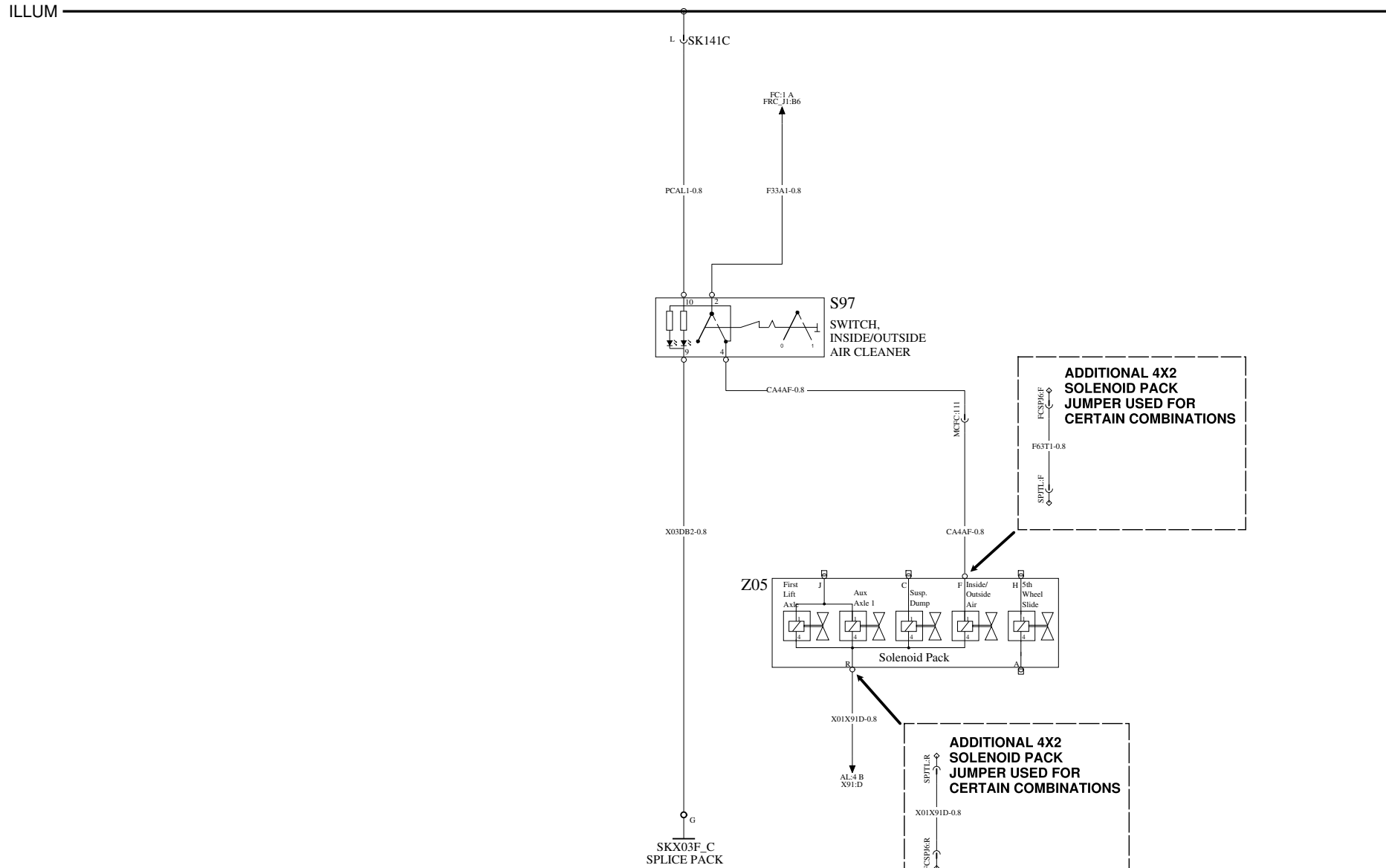
FUEL FILTER HEATER

WIRING DIAGRAM: CE

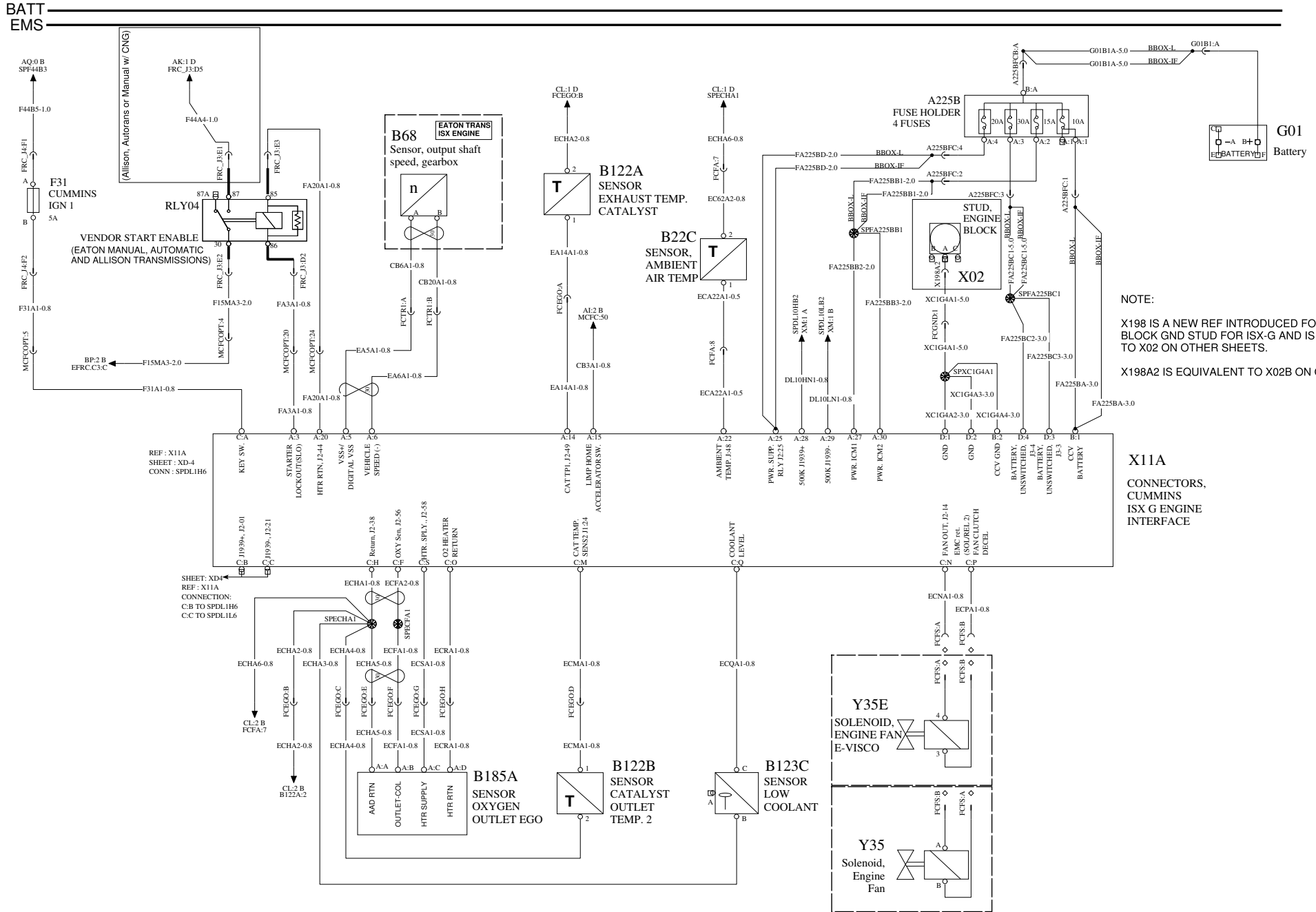












**NOTE:**  
 X198 IS A NEW REF INTRODUCED FOR ENGINE BLOCK GND STUD FOR ISX-G AND IS EQUIVALENT TO X02 ON OTHER SHEETS.  
 X198A2 IS EQUIVALENT TO X02B ON OTHER SHEETS.

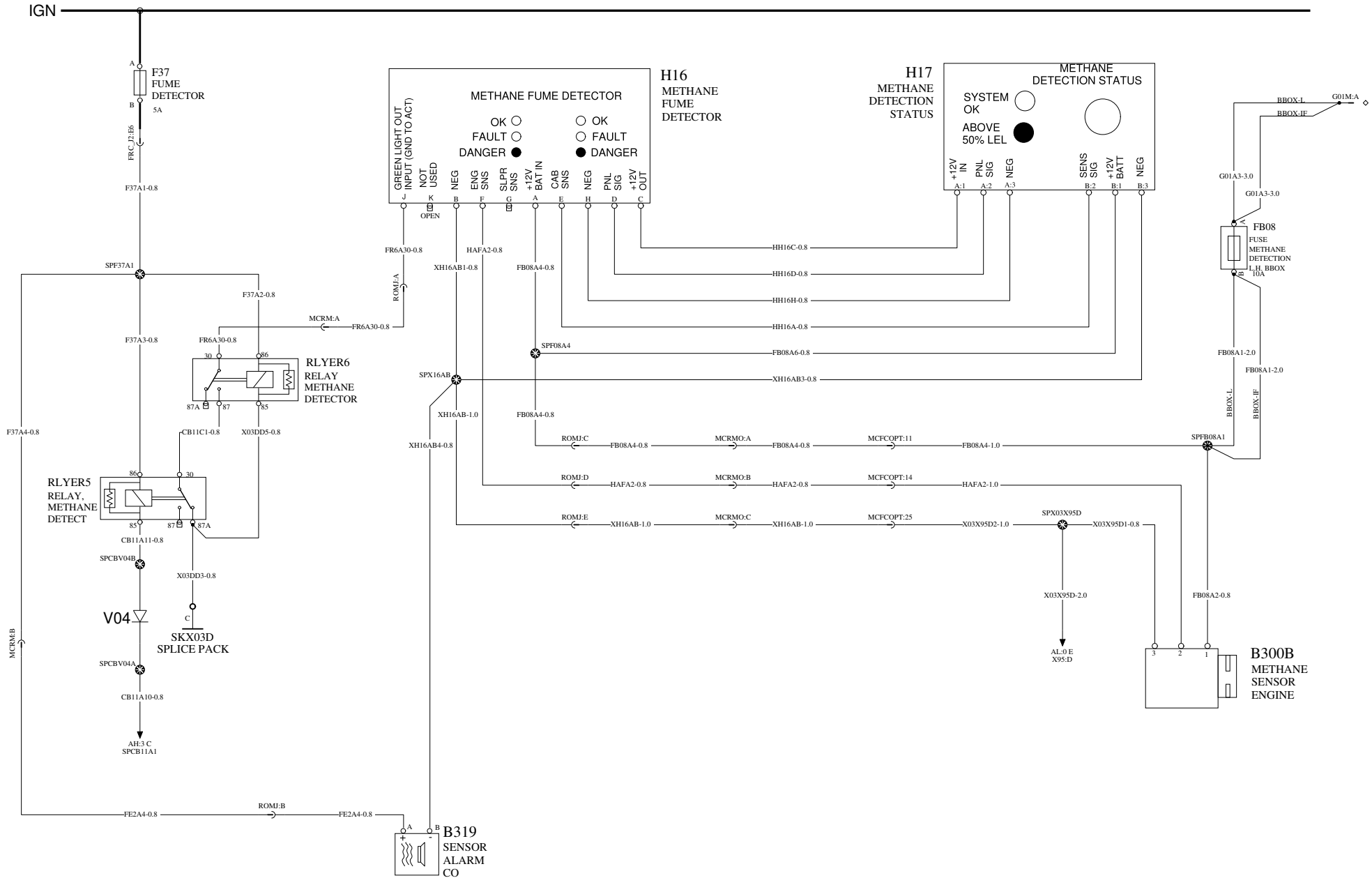
REF: X11A SHEET: XD-4  
 CONN: SPDL1H6

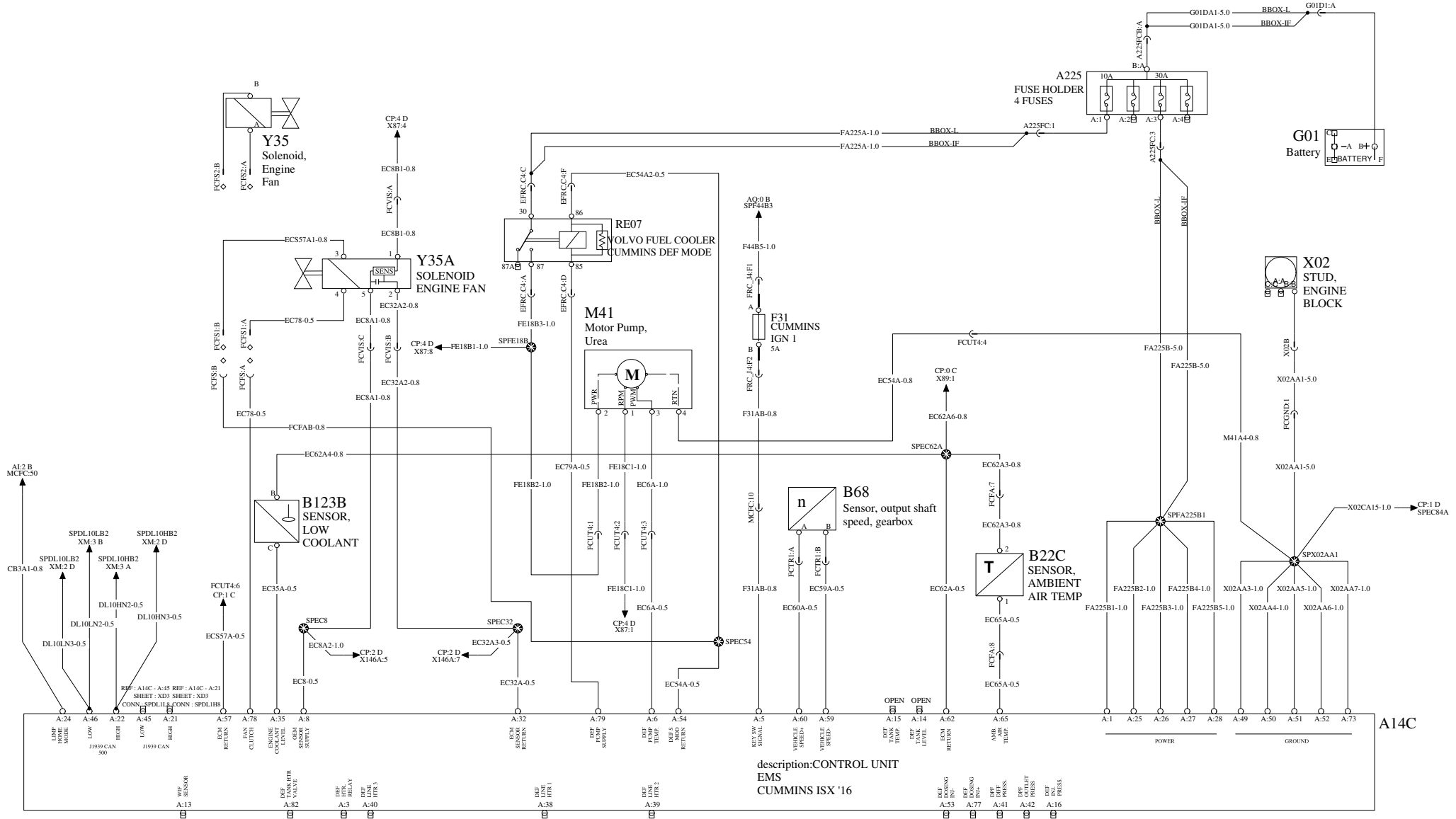
SHEET: XD-4  
 REF: X11A  
 CONNECTION:  
 C.B TO SPDL1H6  
 C.C TO SPDL1L6

**X11A**  
 CONNECTORS,  
 CUMMINS  
 ISX G ENGINE  
 INTERFACE

METHANE DETECTION

WIRING DIAGRAM: CM

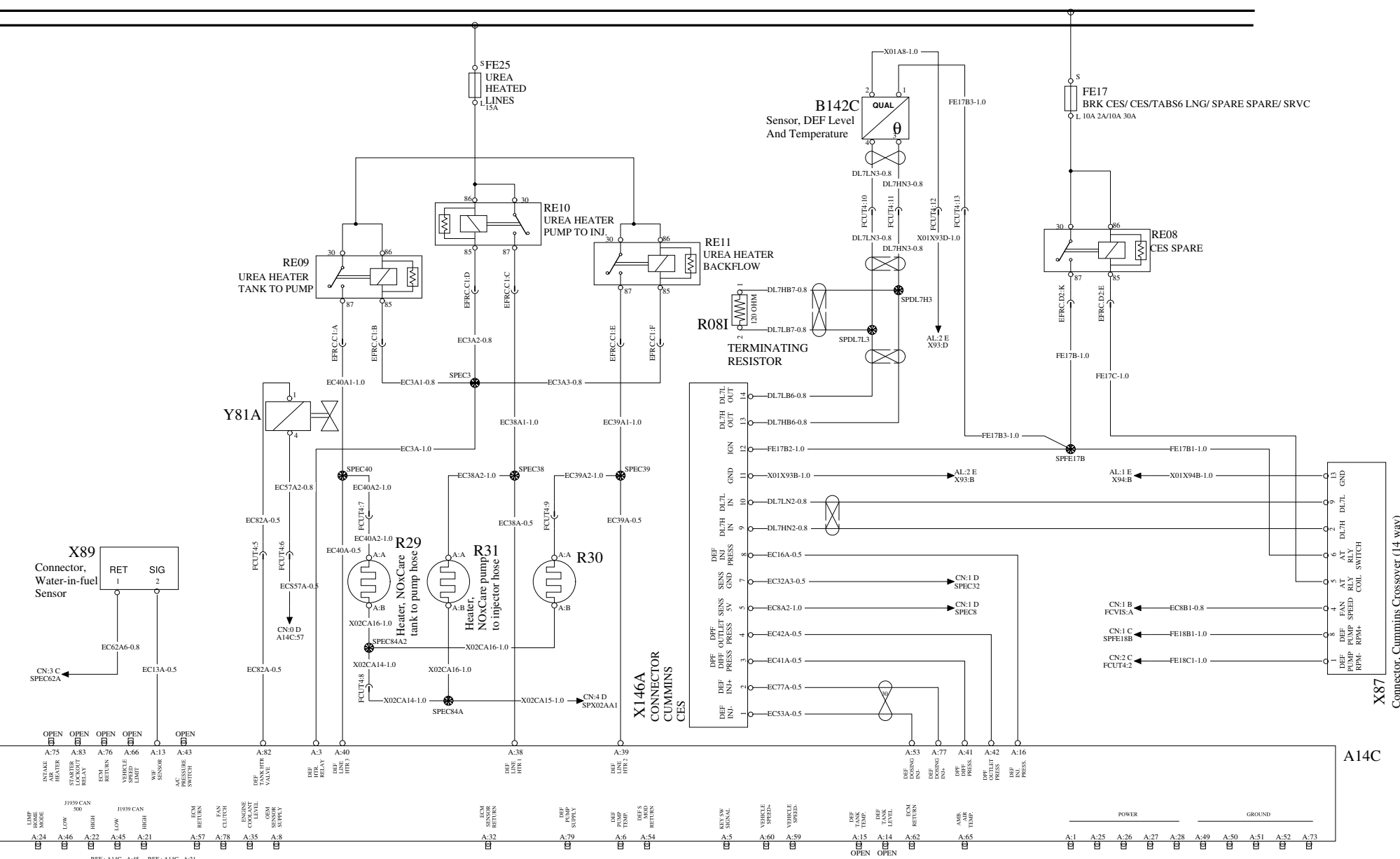




REFER SHEET : CP FOR PIN-OUTS 13,82,3,40,38,39,53,77,41,42,16

description:CONTROL UNIT  
EMS  
CUMMINS ISX '16

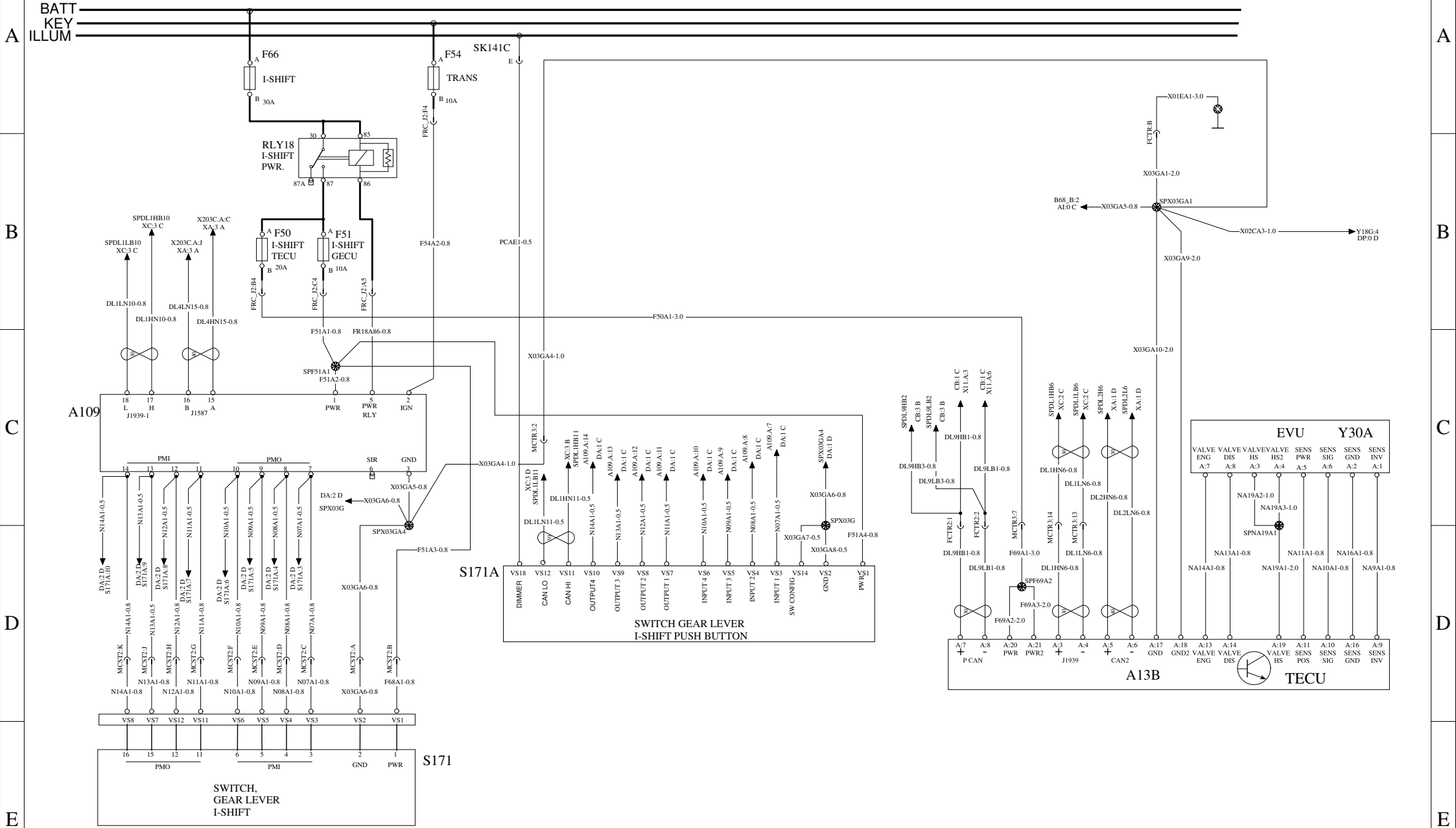
BATT  
IGN



REFER SHEET : CN FOR PIN-OUTS - 24,46,22,57,78,35,8,32,79,6,54,5,60,59,62,65,1,25,26,27,28,49,50,51,52,73

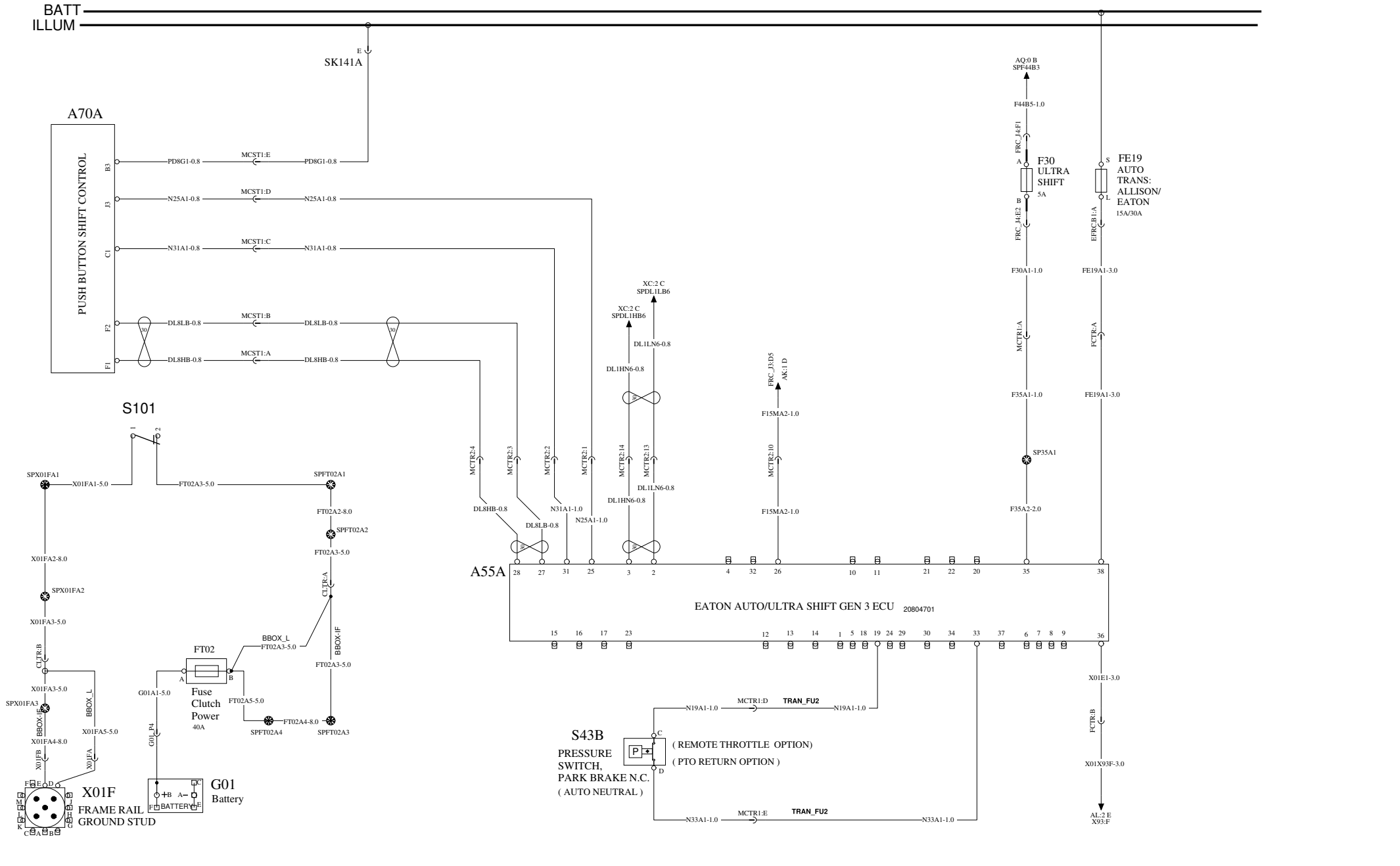
TRANSMISSION I-SHIFT

WIRING DIAGRAM: DA



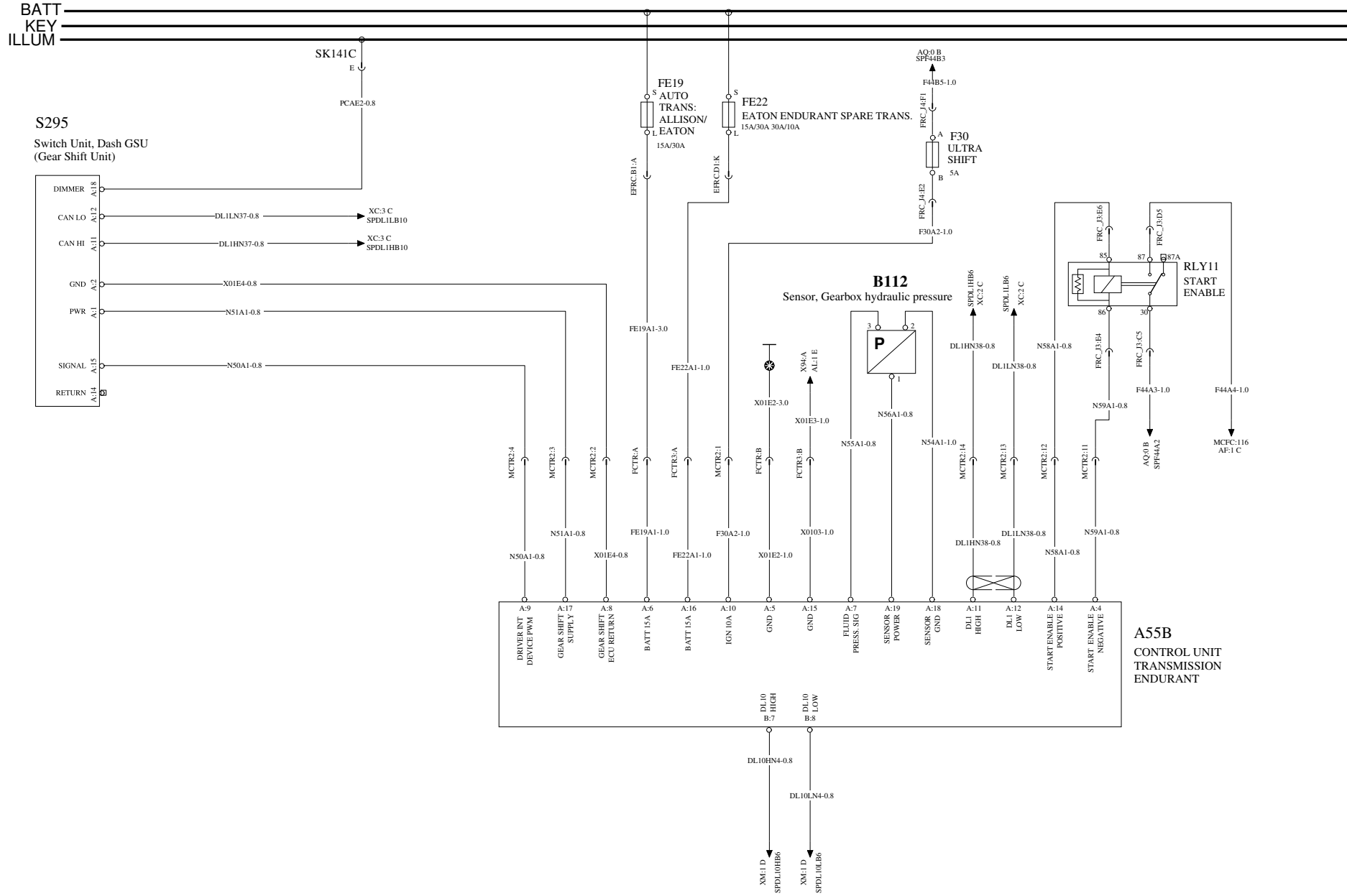
TRANSMISSION CONTROL EATON AUTOMATICS

WIRING DIAGRAM: DB



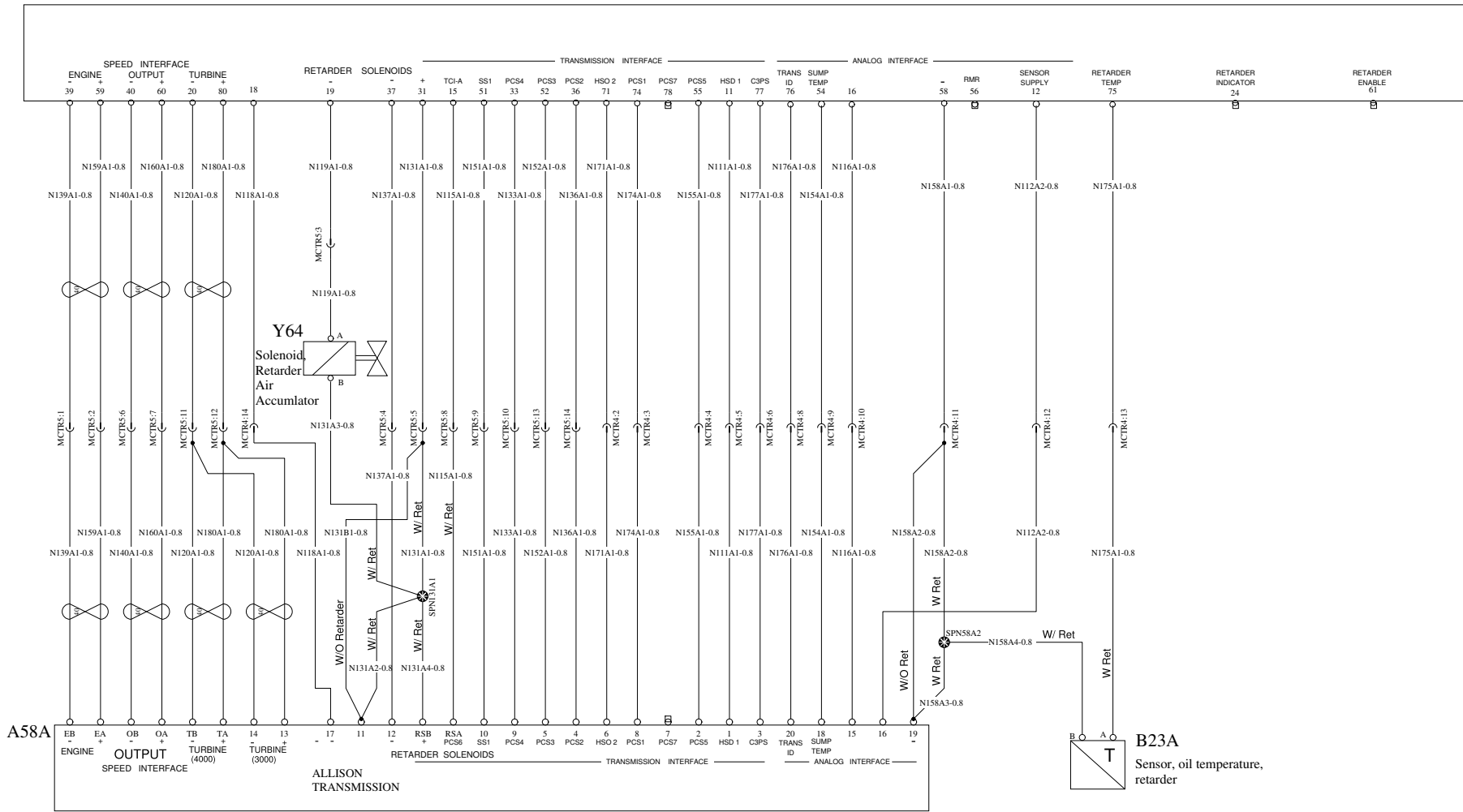
TRANSMISSION EATON ENDURANT

WIRING DIAGRAM: DC



ILLUM

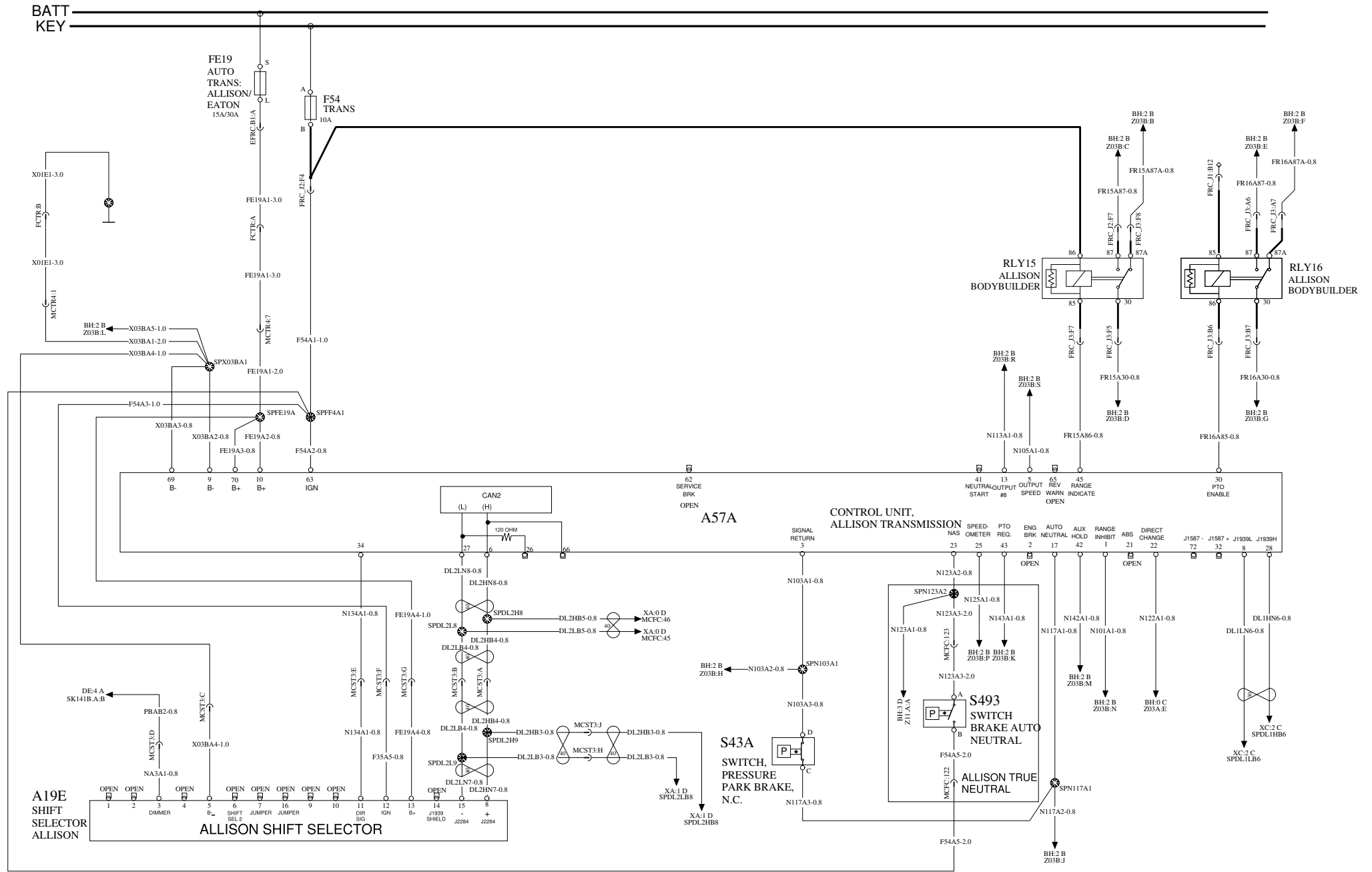
SK141B  
B

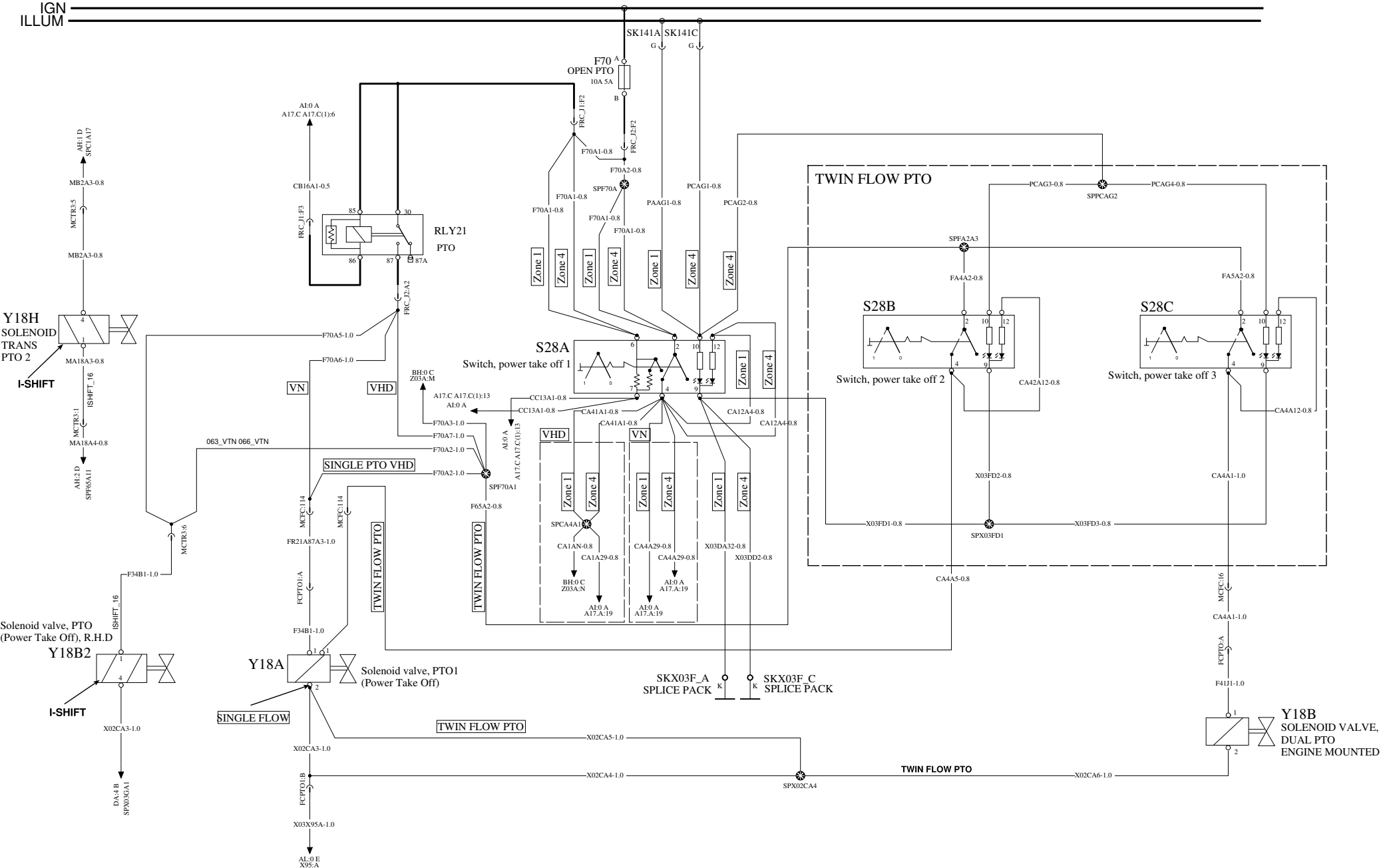




TRANSMISSION CONTROL ALLISON 1/2

WIRING DIAGRAM: DF

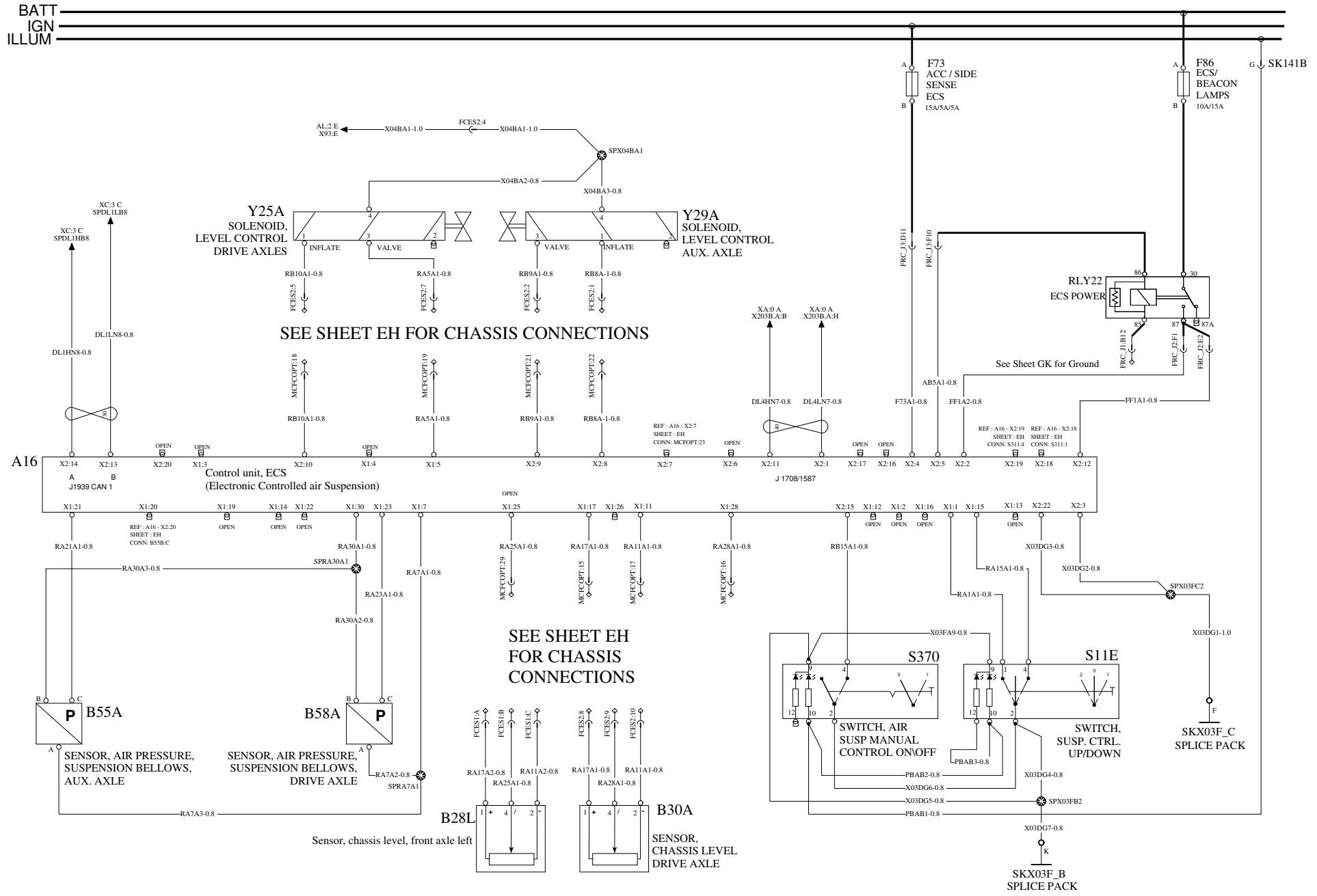




Document title WIRING DIAGRAM, 12V SCHEMATIC	Document No <b>23986311</b>	Issue <b>04</b>	Volume <b>1 (1)</b>	Page <b>42 (114)</b>
Document type PRODUCT SCHEMATIC				

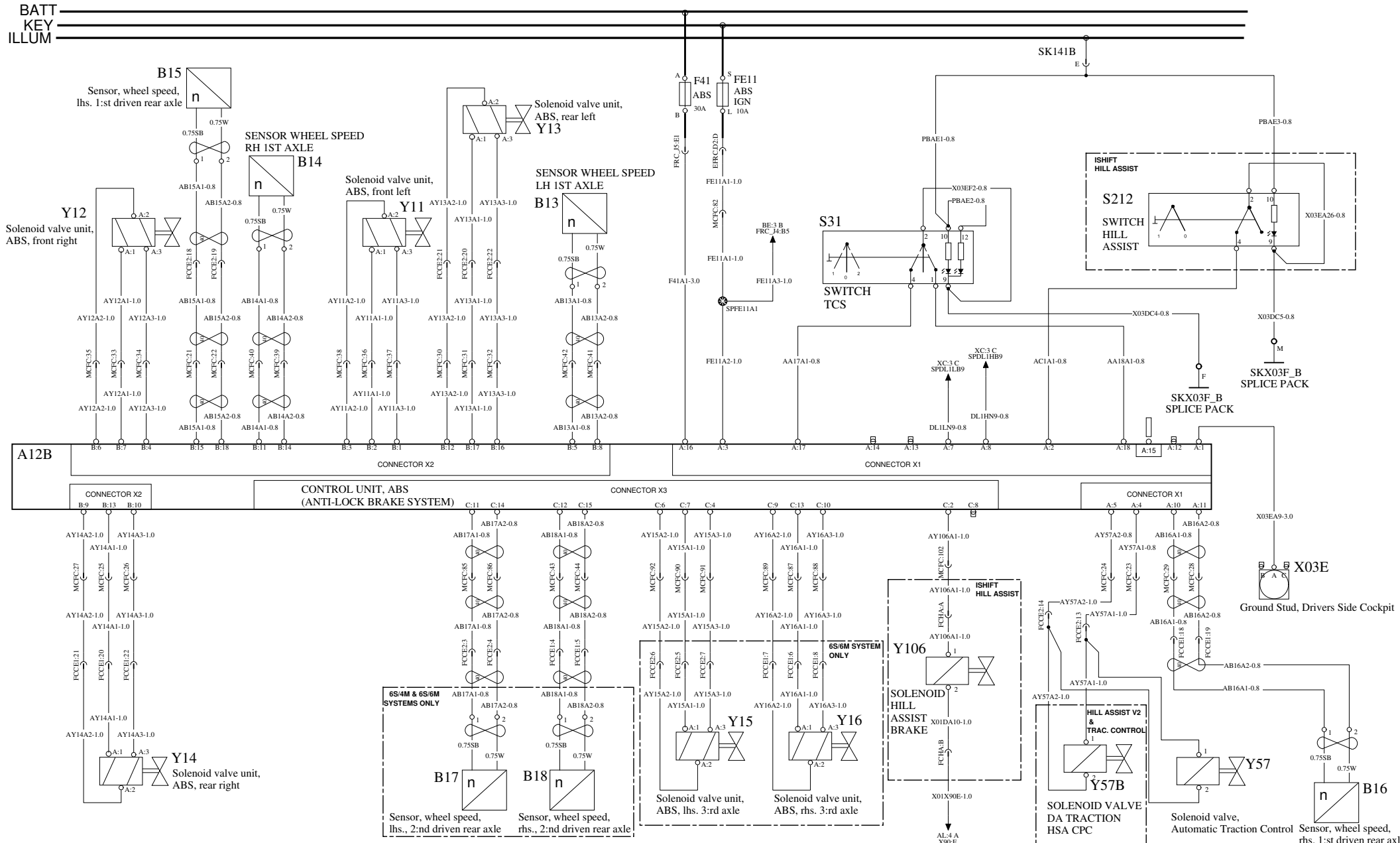
SUSPENSION

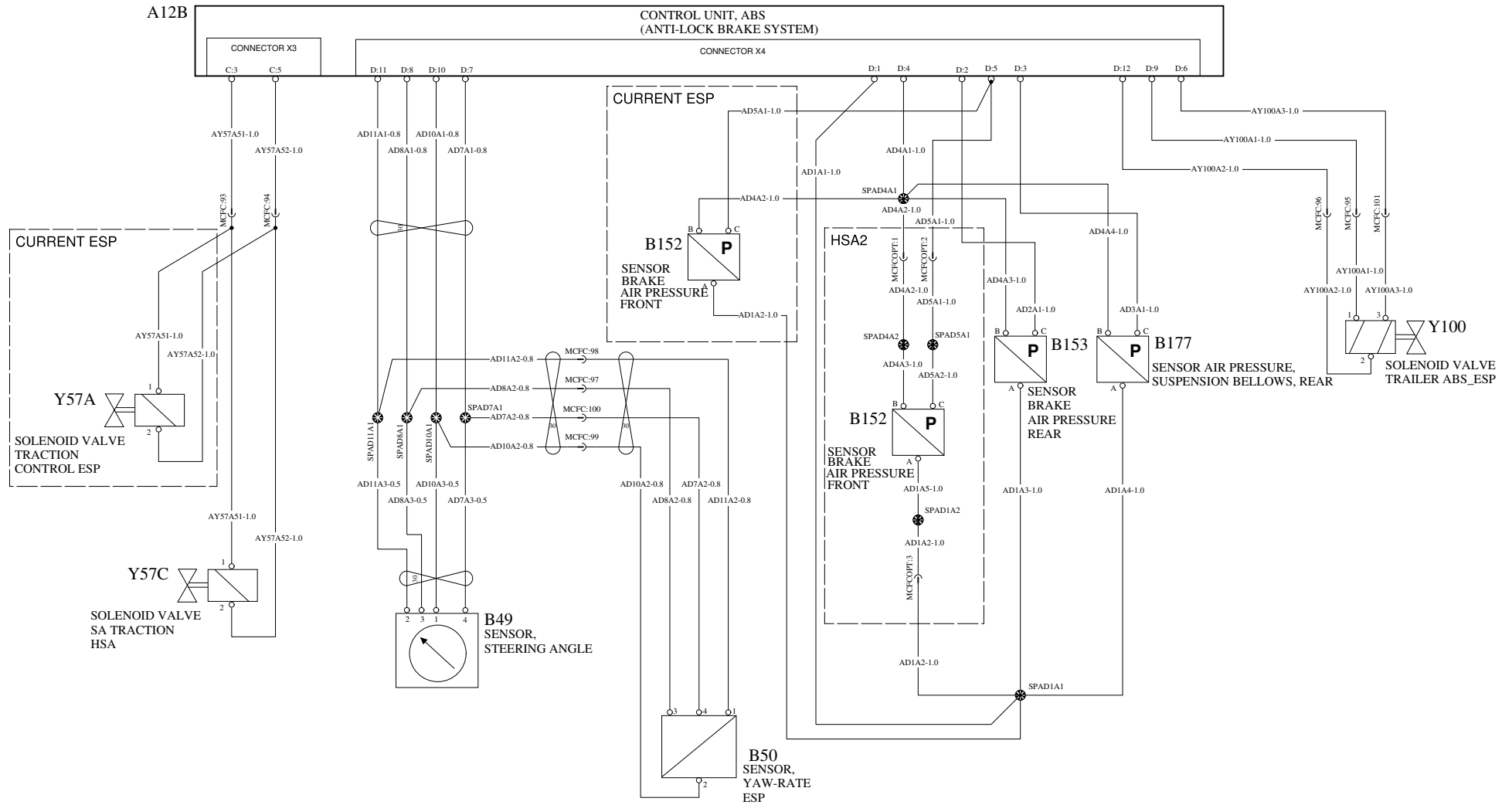
WIRING DIAGRAM: EB

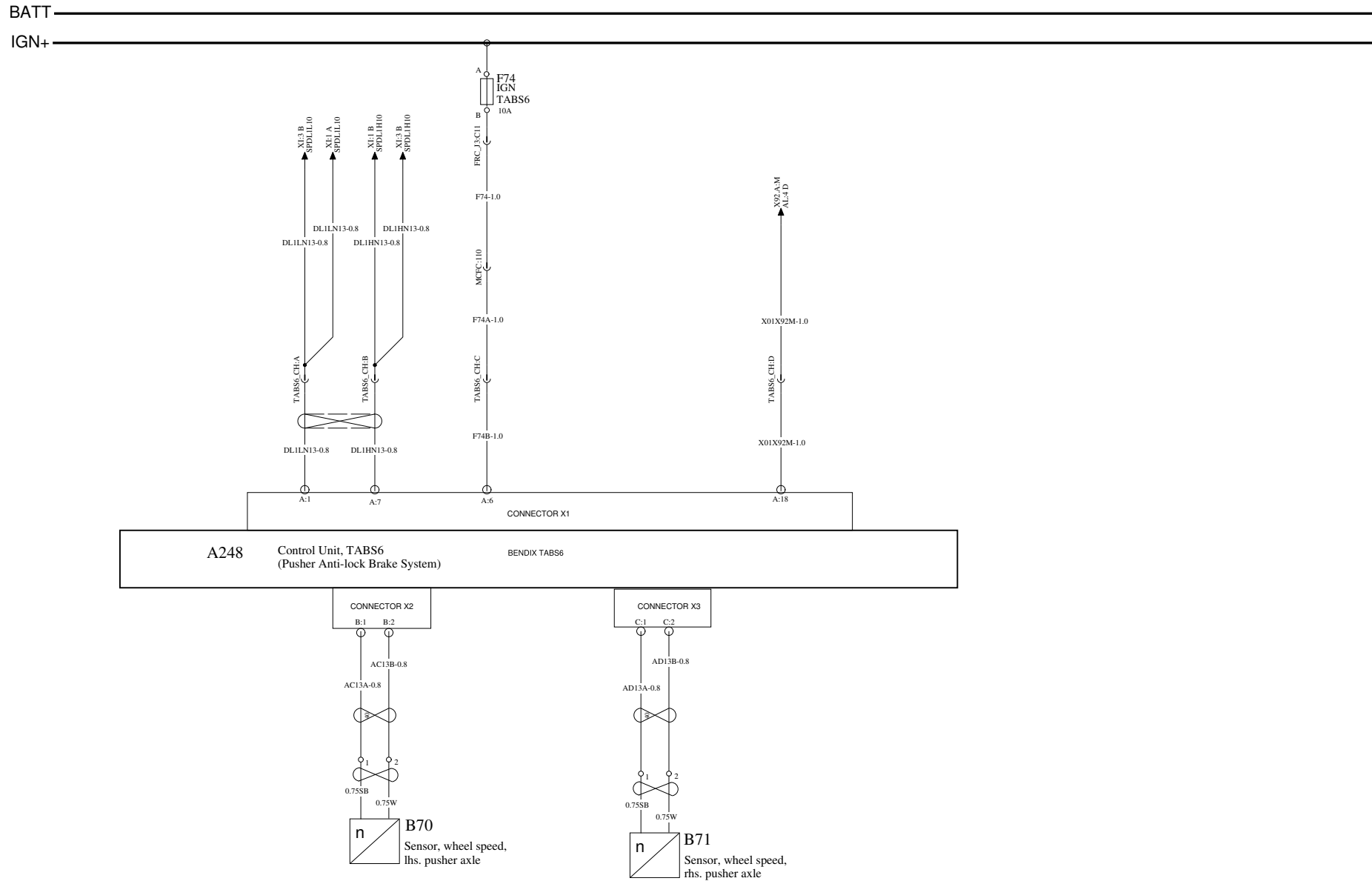


ABS CONTROL BENDIX 1/2

WIRING DIAGRAM: EC



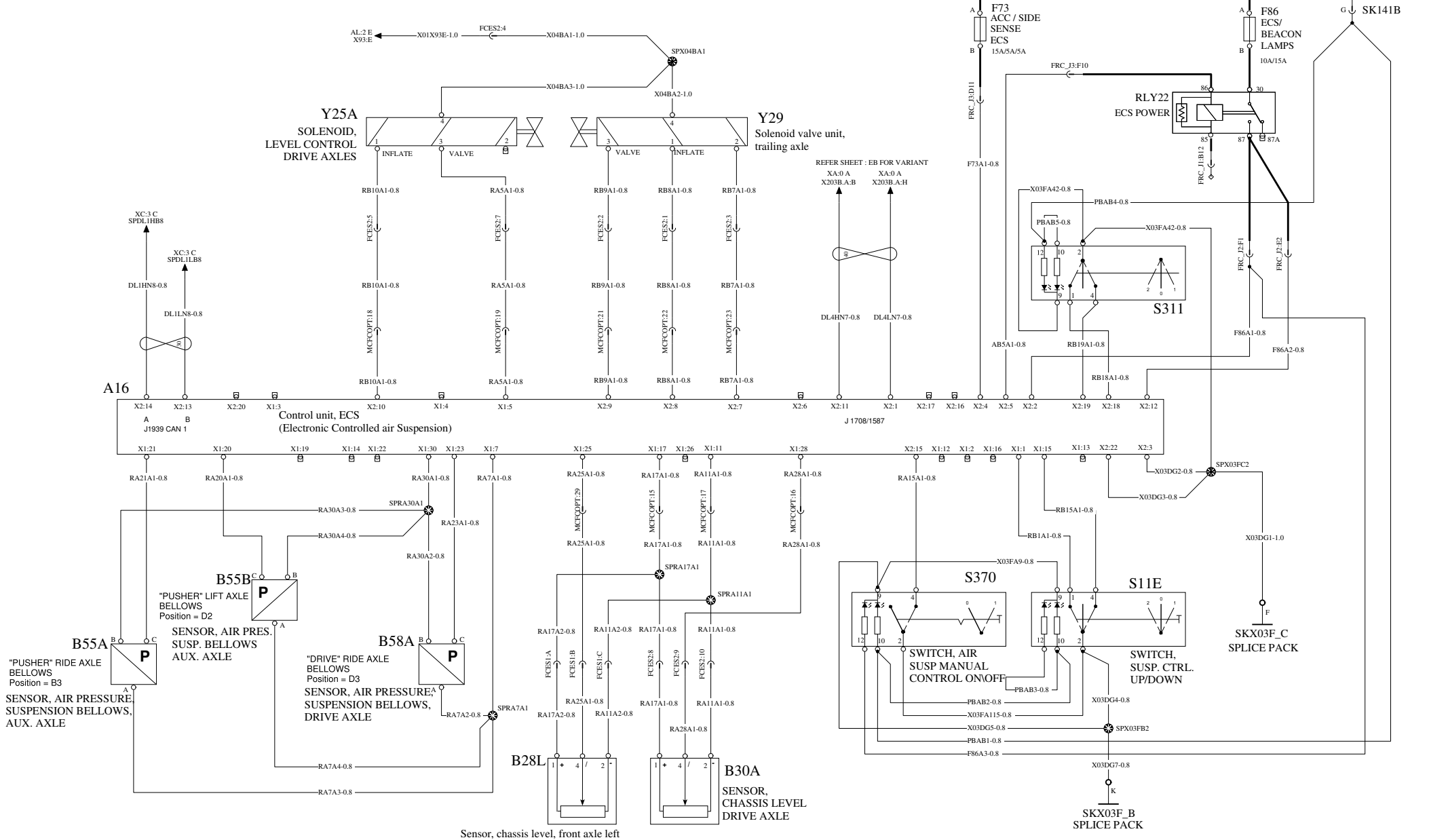




# SUSPENSION LIFTABLE PUSHER

# WIRING DIAGRAM: EH

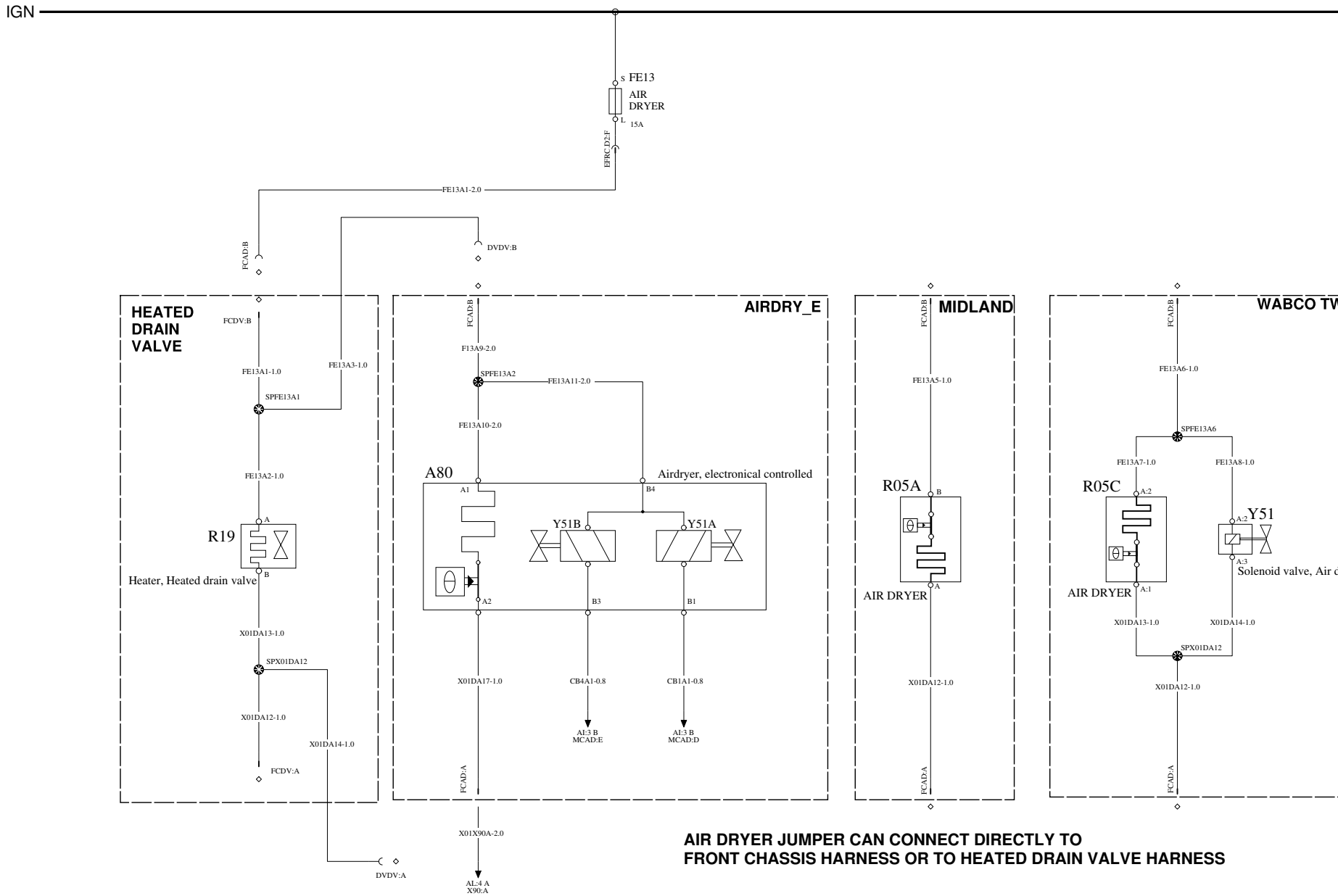
BATT  
KEY  
ILLUM



Volvo Truck Corporation		Document title WIRING DIAGRAM, 12V SCHEMATIC	Document No 23986311	Issue 04	Volume 1 (1)	Page 47 (114)
		Document type PRODUCT SCHEMATIC				

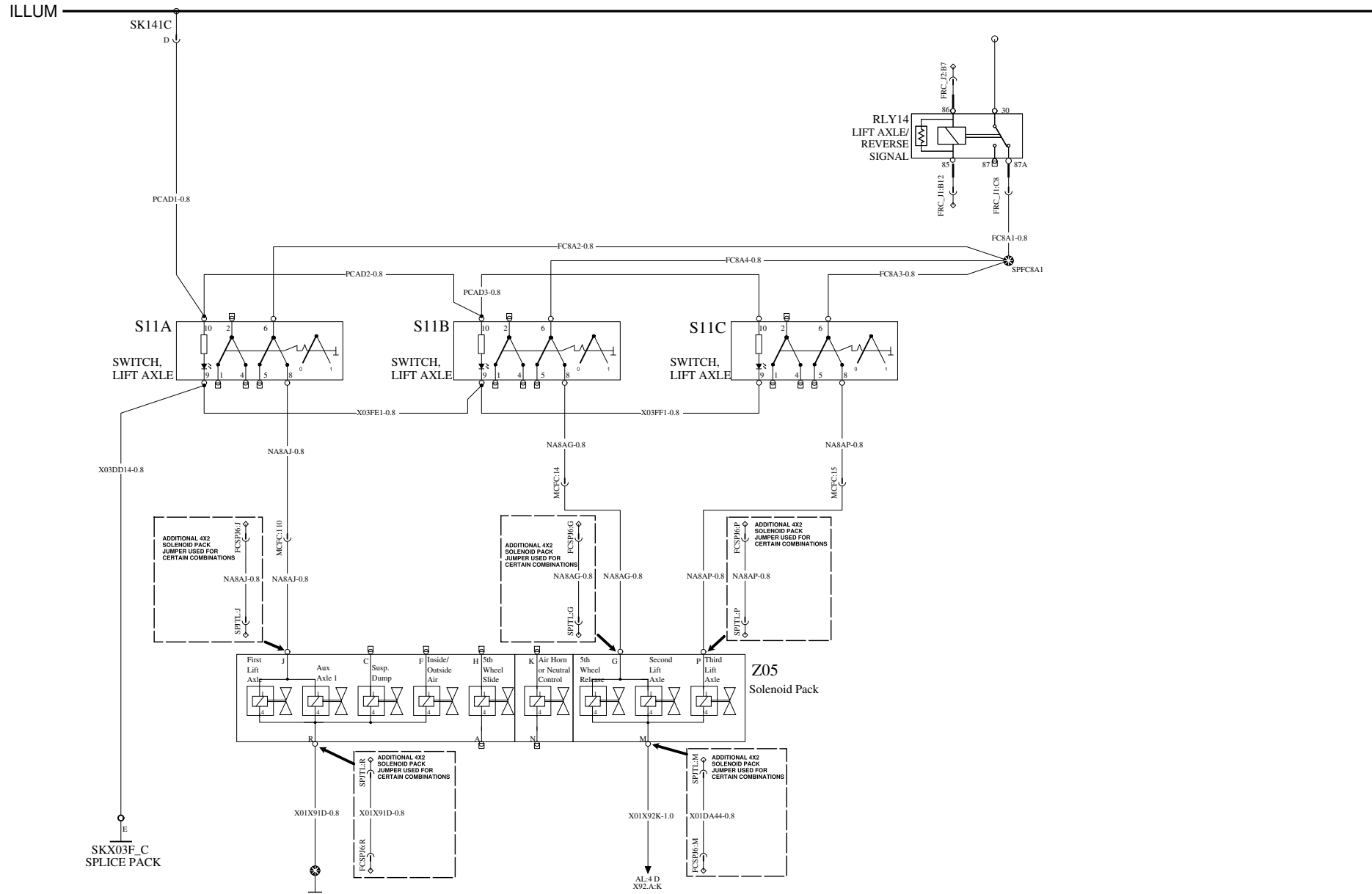
AIR DRYER/HEATED DRAIN VALVE

WIRING DIAGRAM: FA



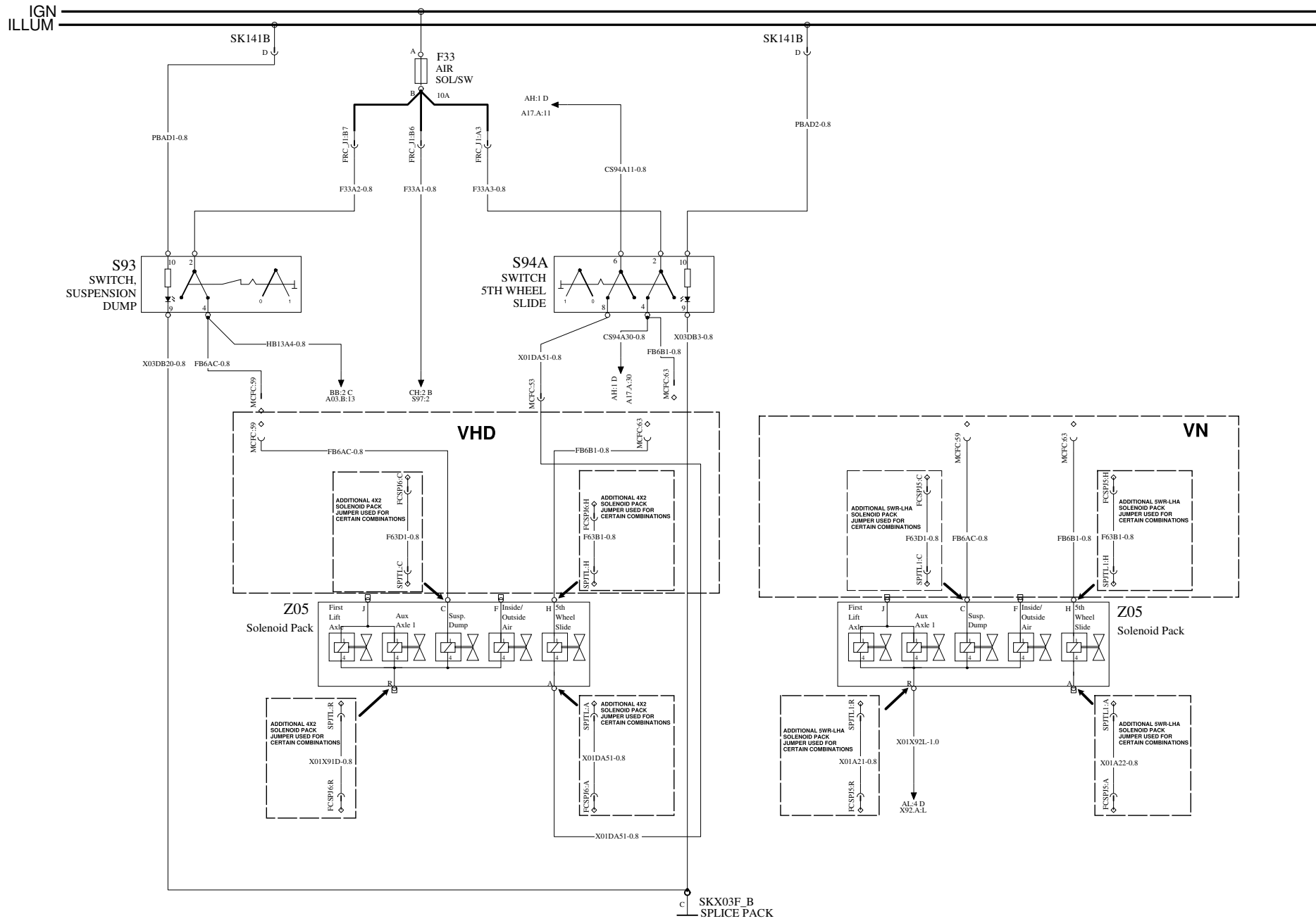
**AIR DRYER JUMPER CAN CONNECT DIRECTLY TO FRONT CHASSIS HARNESS OR TO HEATED DRAIN VALVE HARNESS**





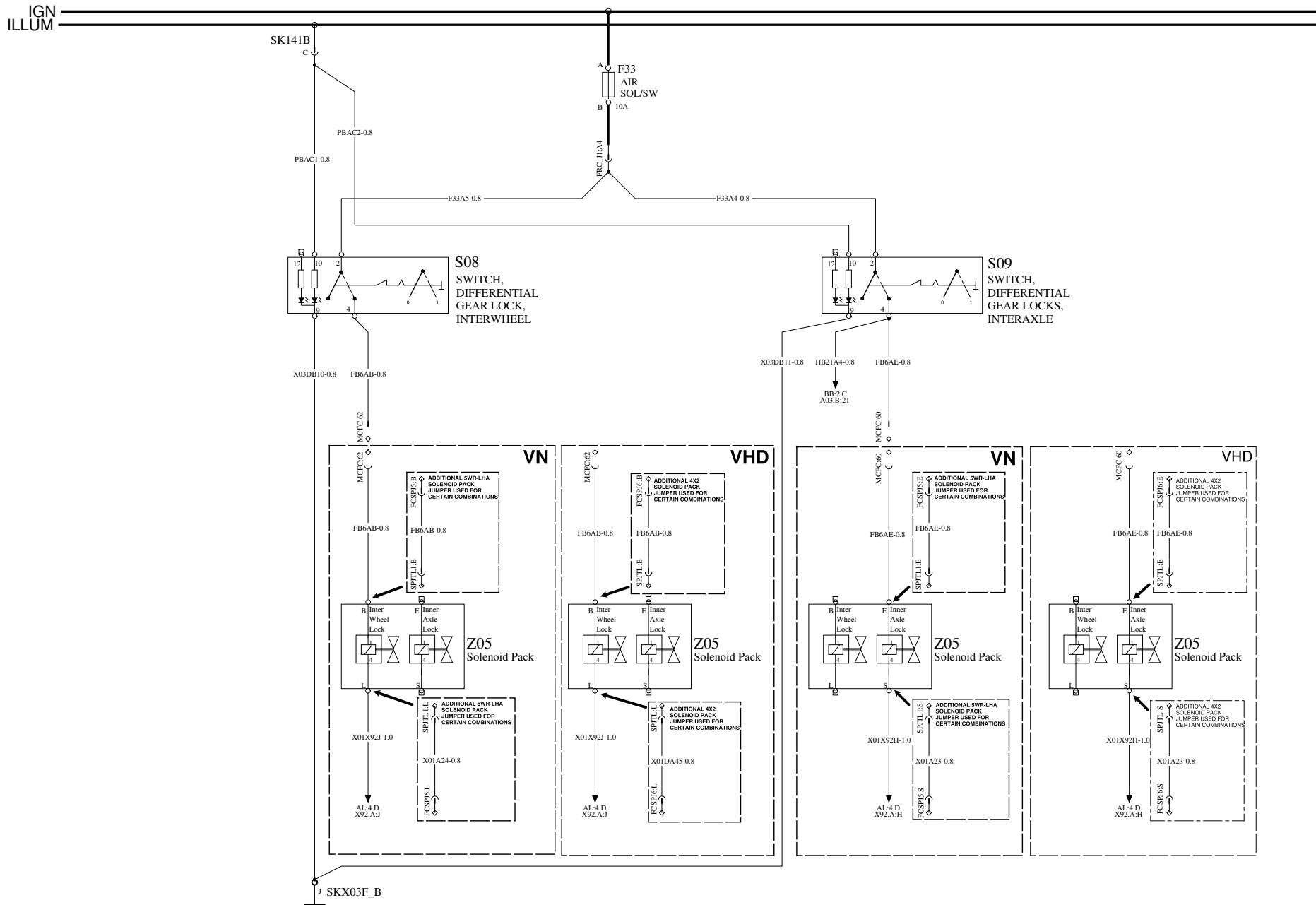
SUSPENSION DUMP, 5TH WHEEL SLIDE

WIRING DIAGRAM: FC

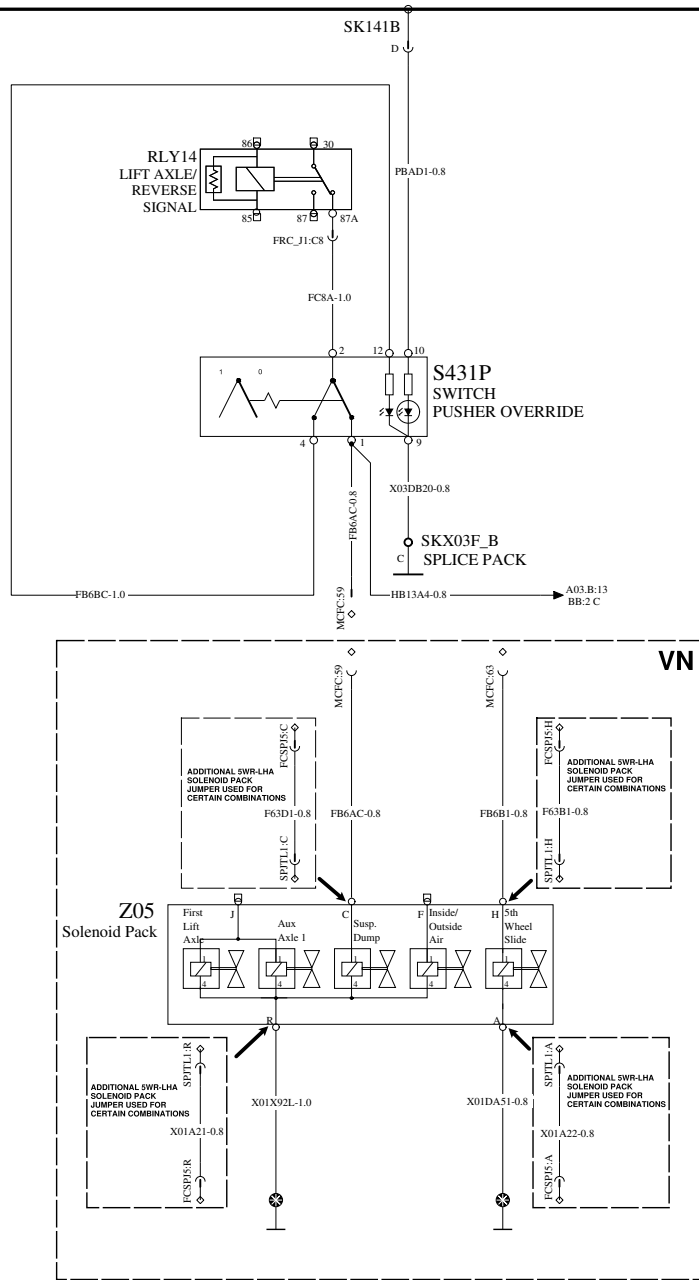


DIFFERENTIAL LOCK VN/VHD

WIRING DIAGRAM: FD

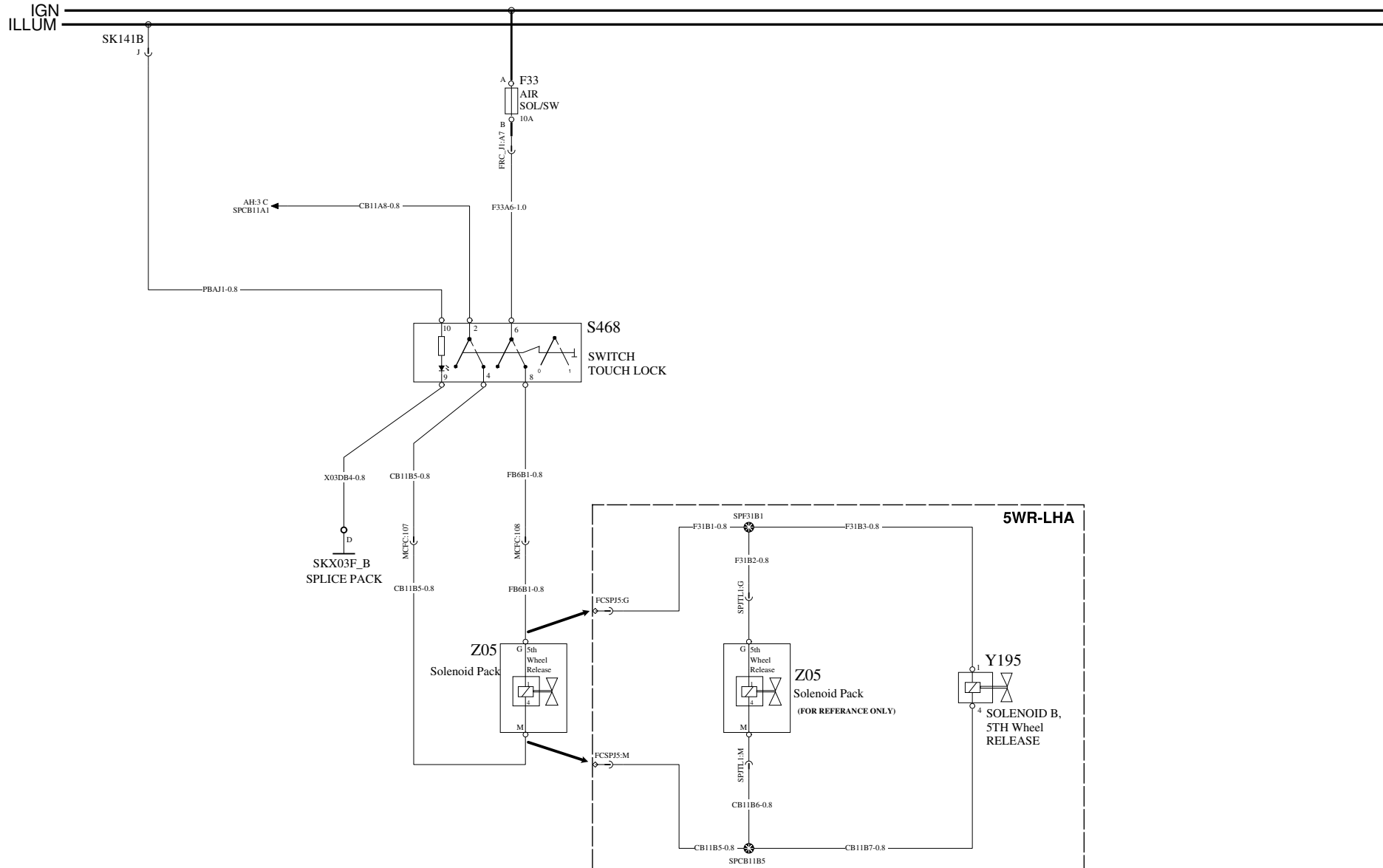


ILLUM

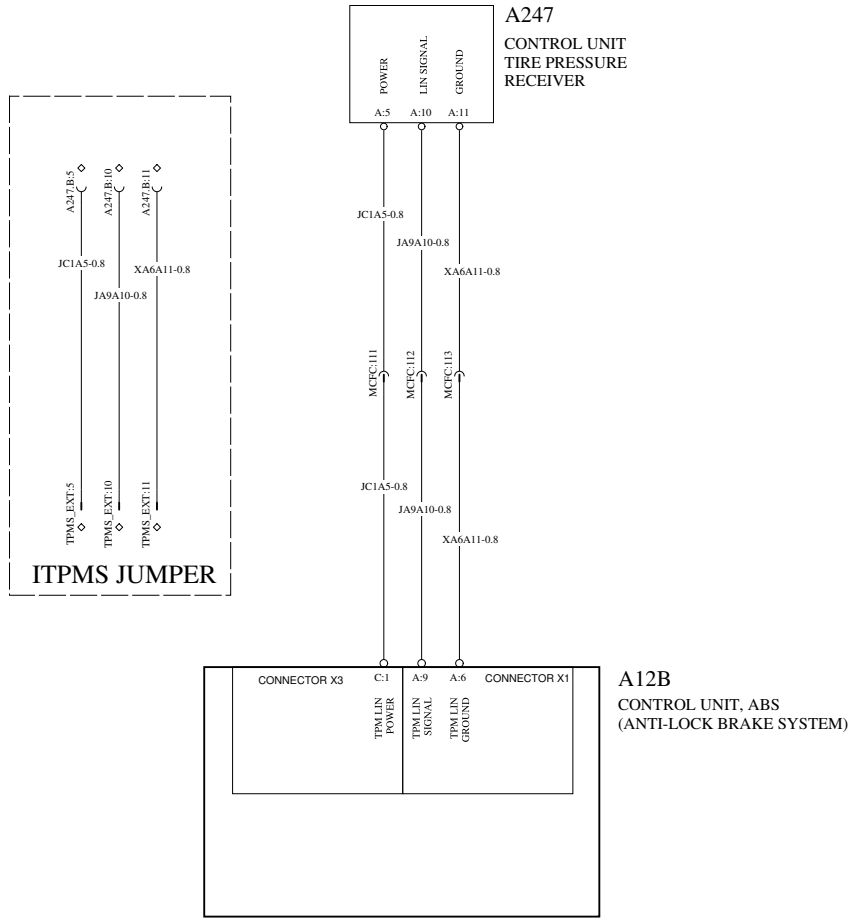


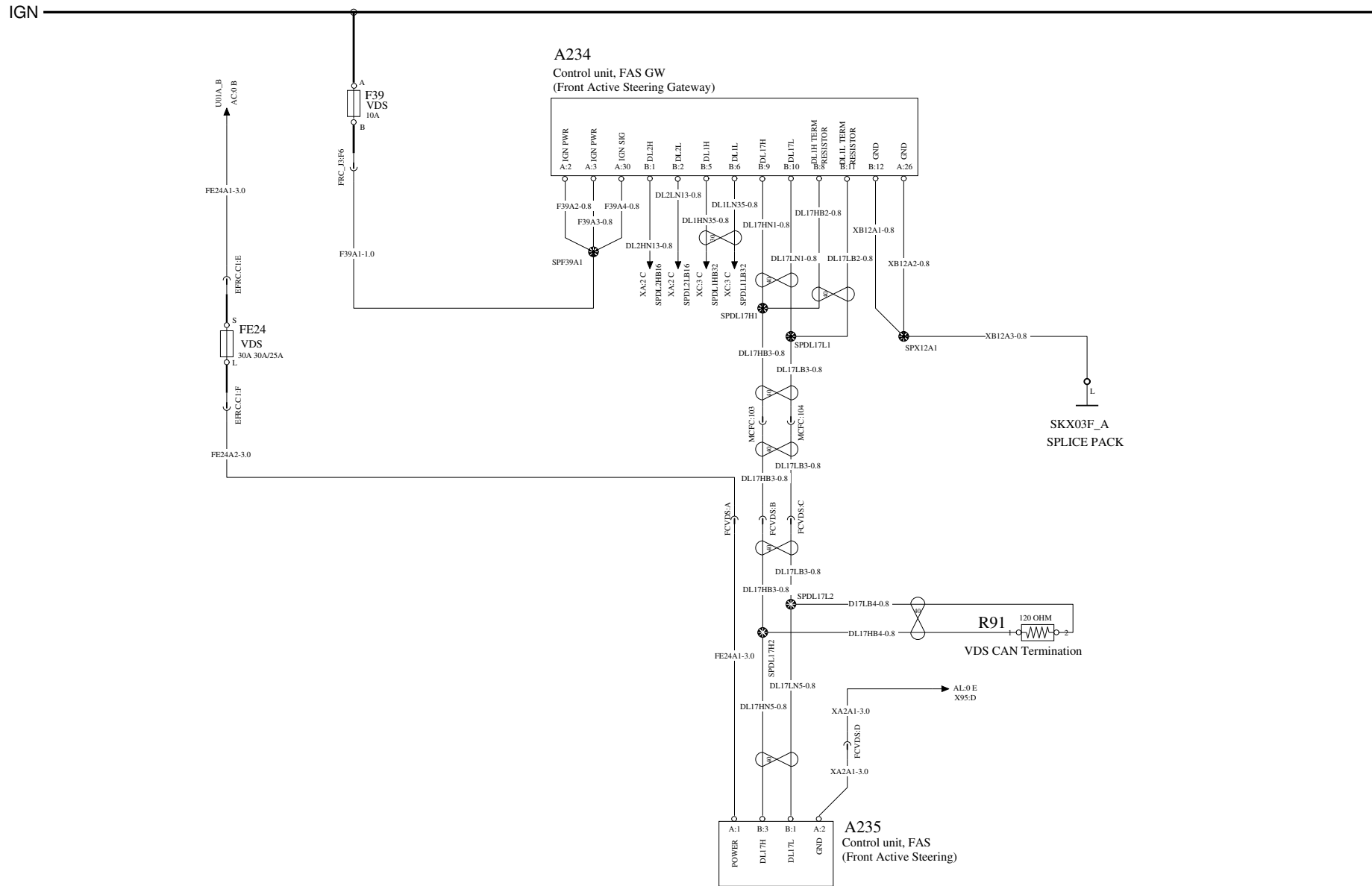
5TH WHEEL LOCK

WIRING DIAGRAM: FF



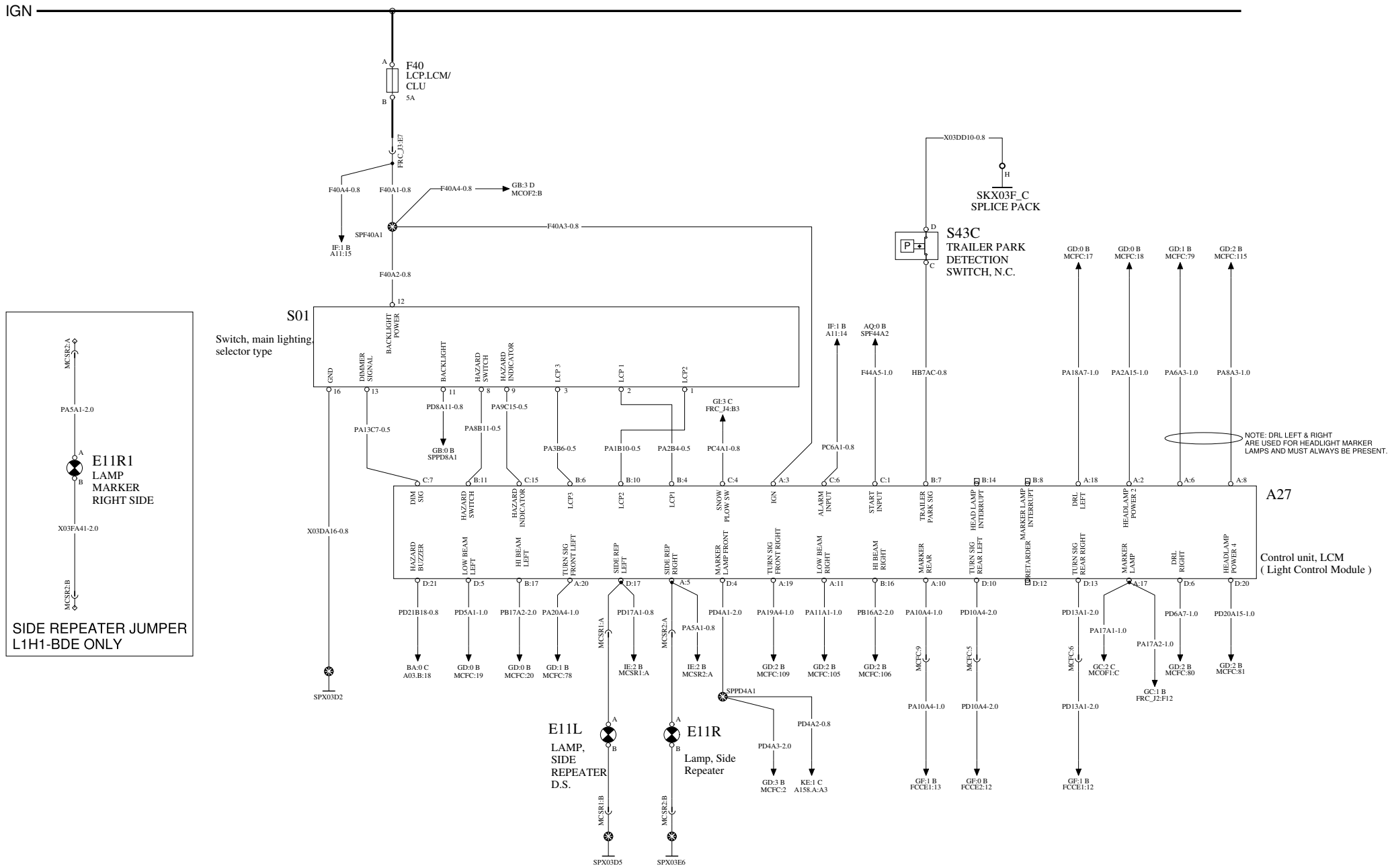
IGN —————





LIGHTING CONTROL 1/2

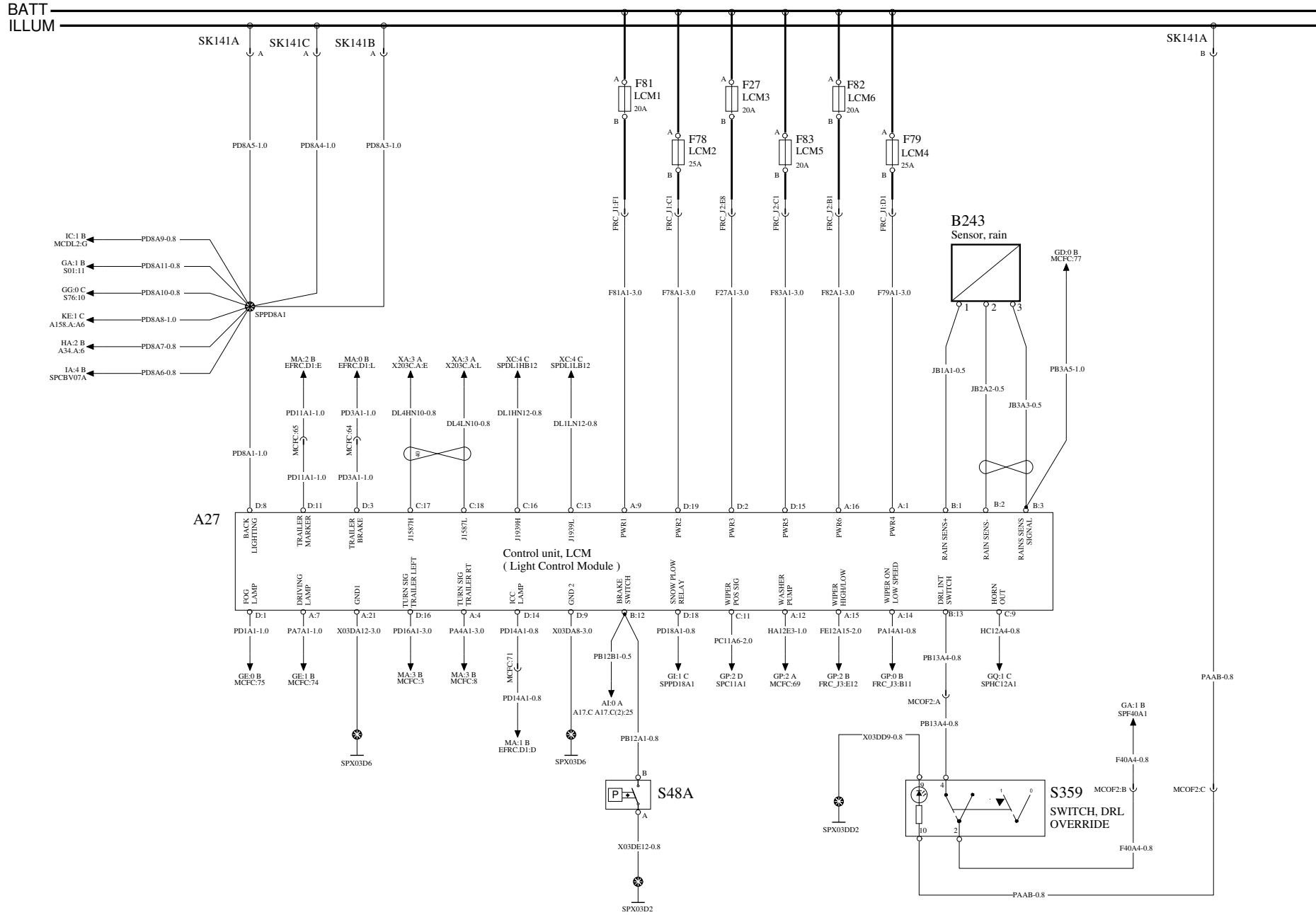
WIRING DIAGRAM: GA





LIGHTING CONTROL 2/2

WIRING DIAGRAM: GB

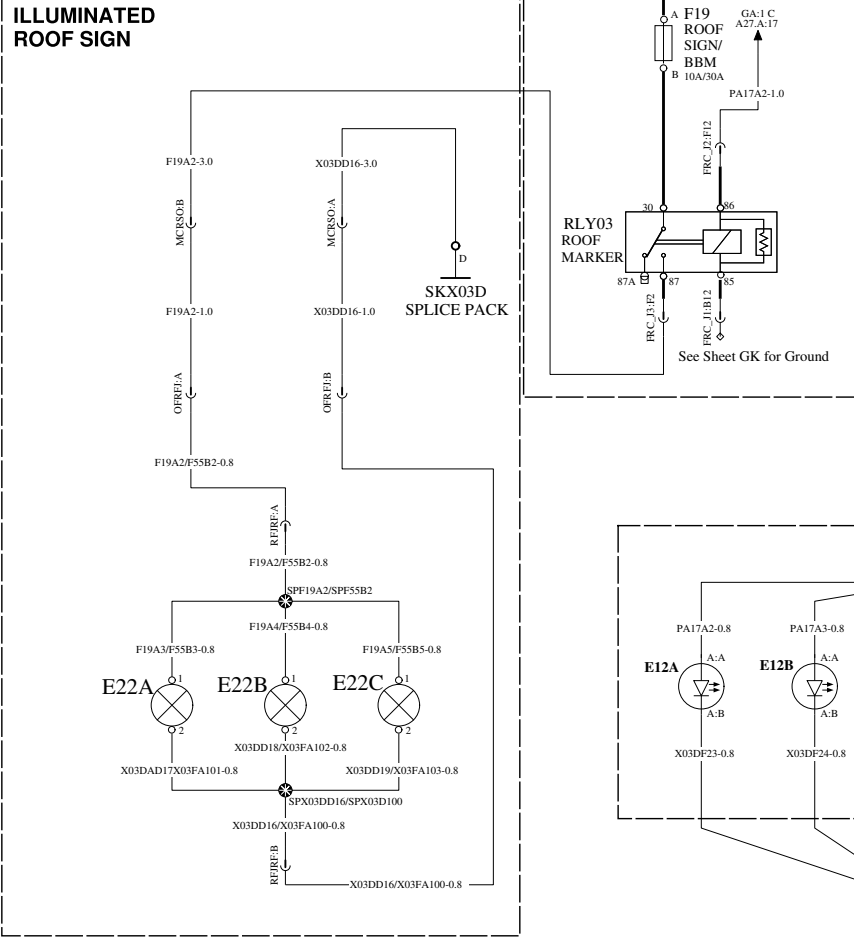


MARKER LAMPS

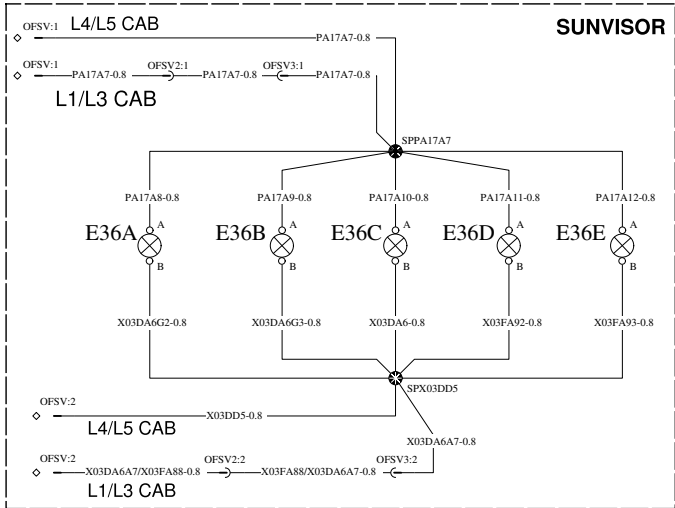
WIRING DIAGRAM: GC

BATT

ILLUMINATED ROOF SIGN

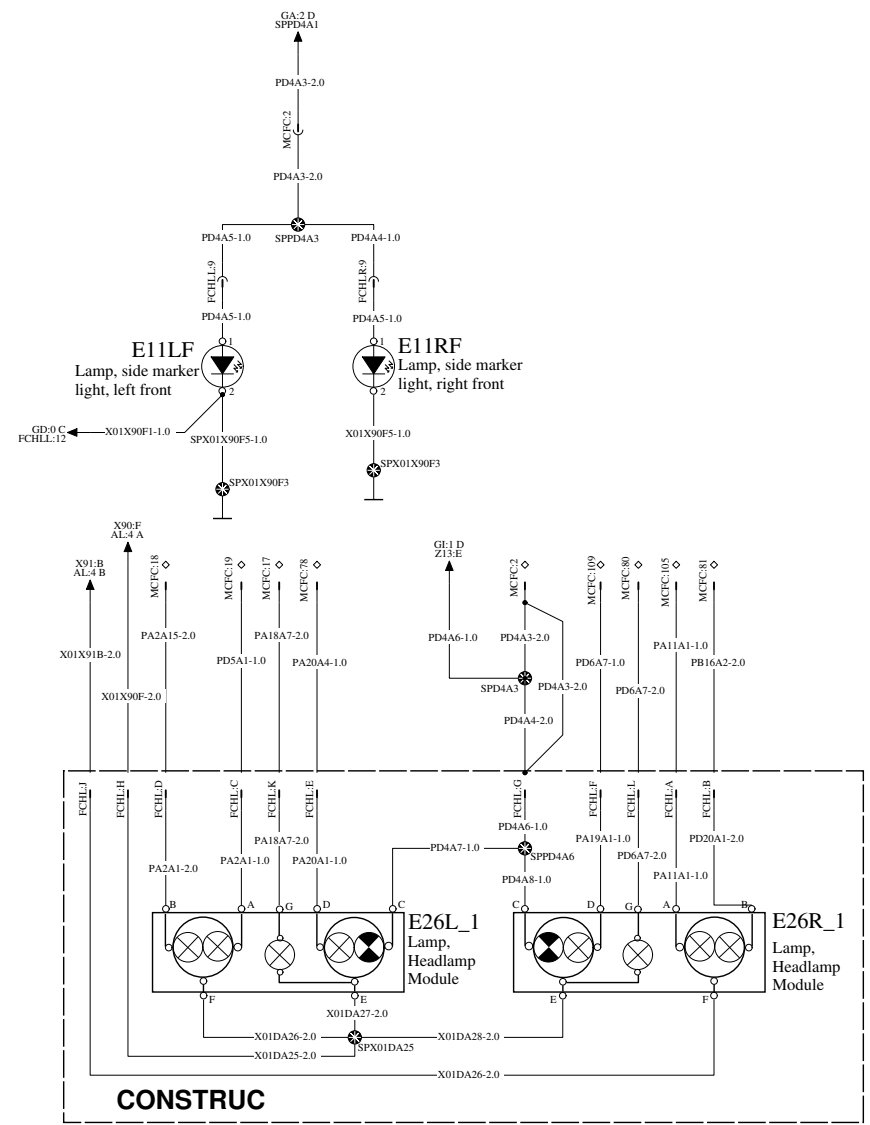
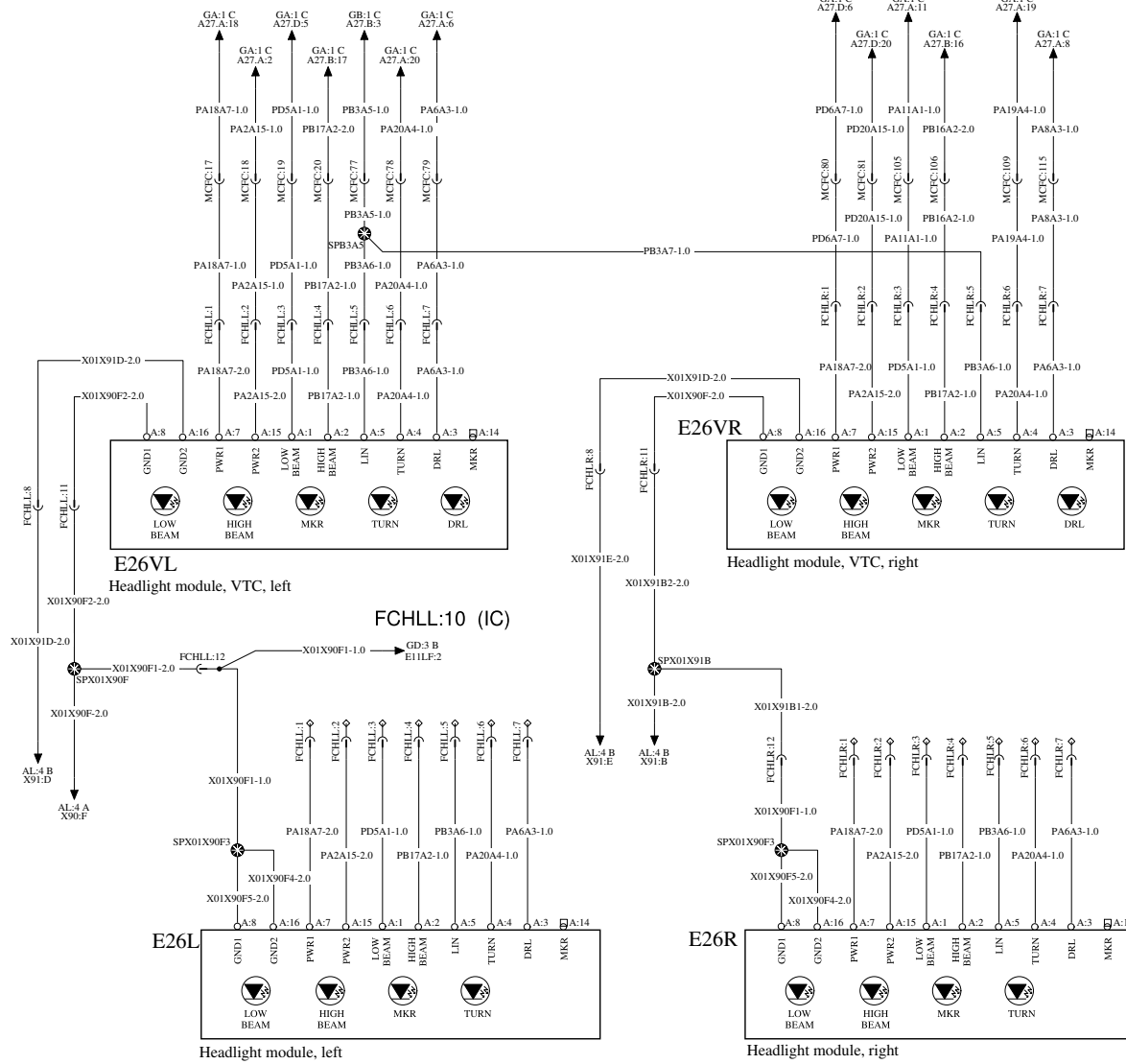


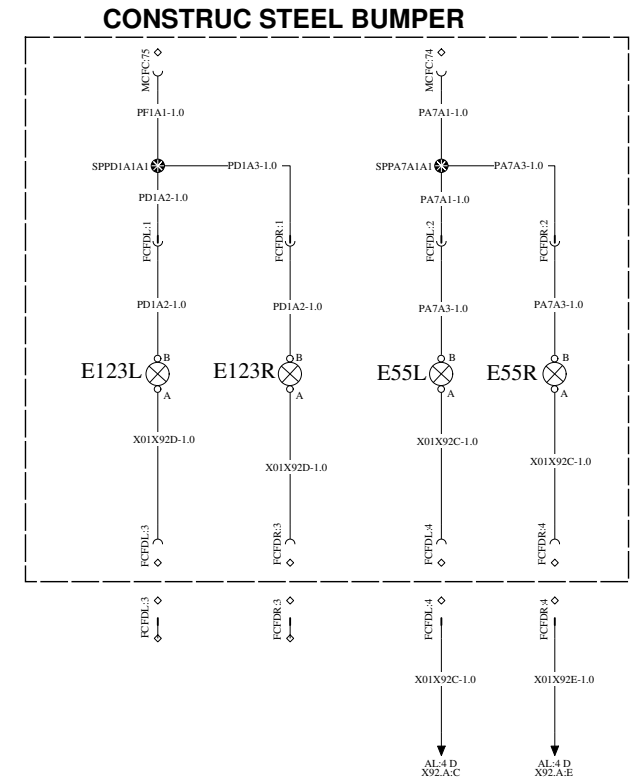
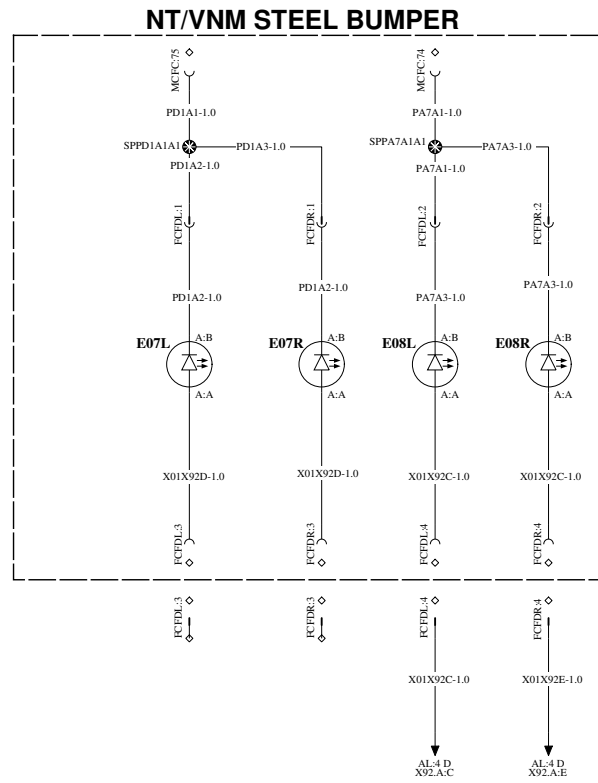
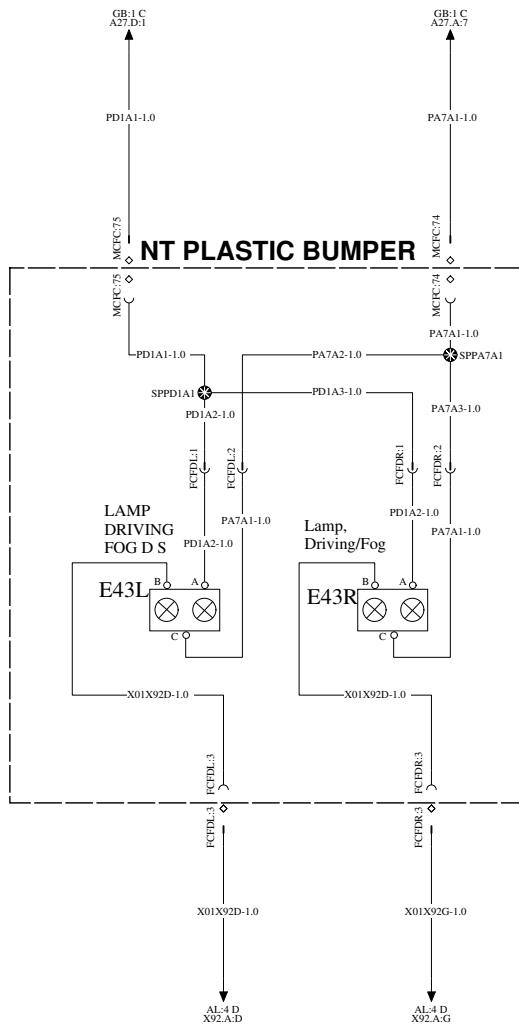
NO SUNVISOR



DRIVING/ SIGNAL LIGHTS

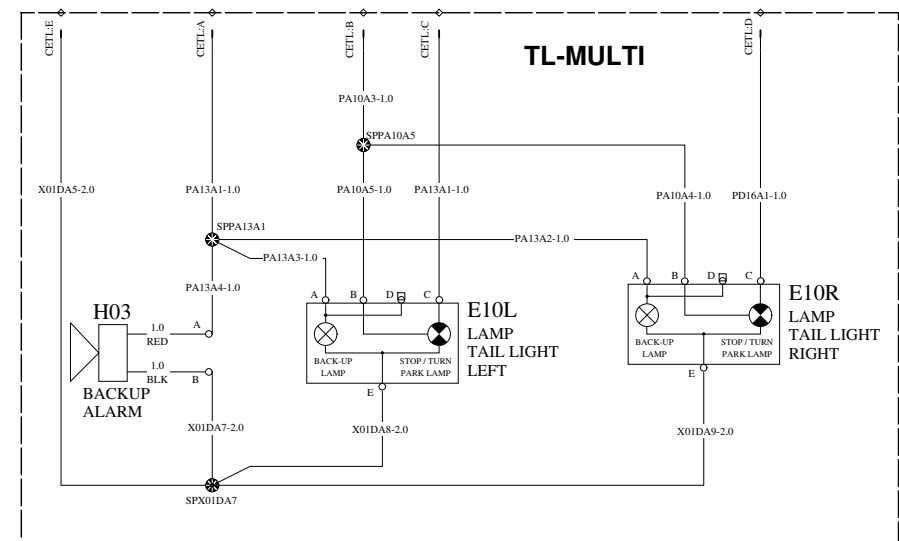
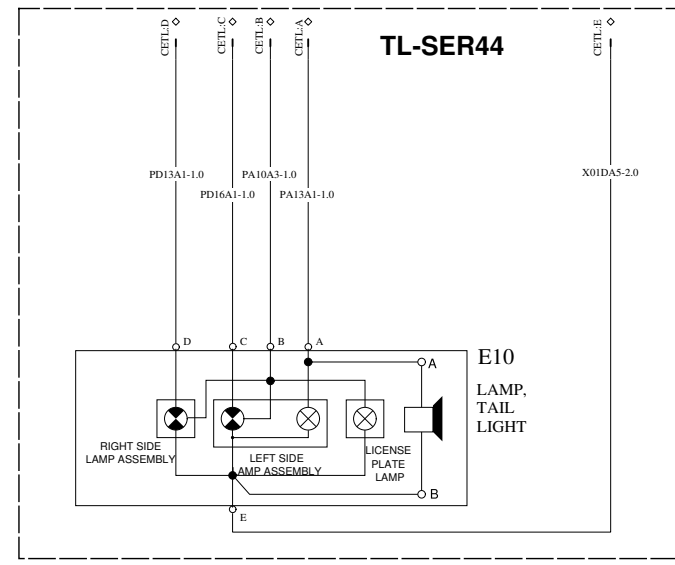
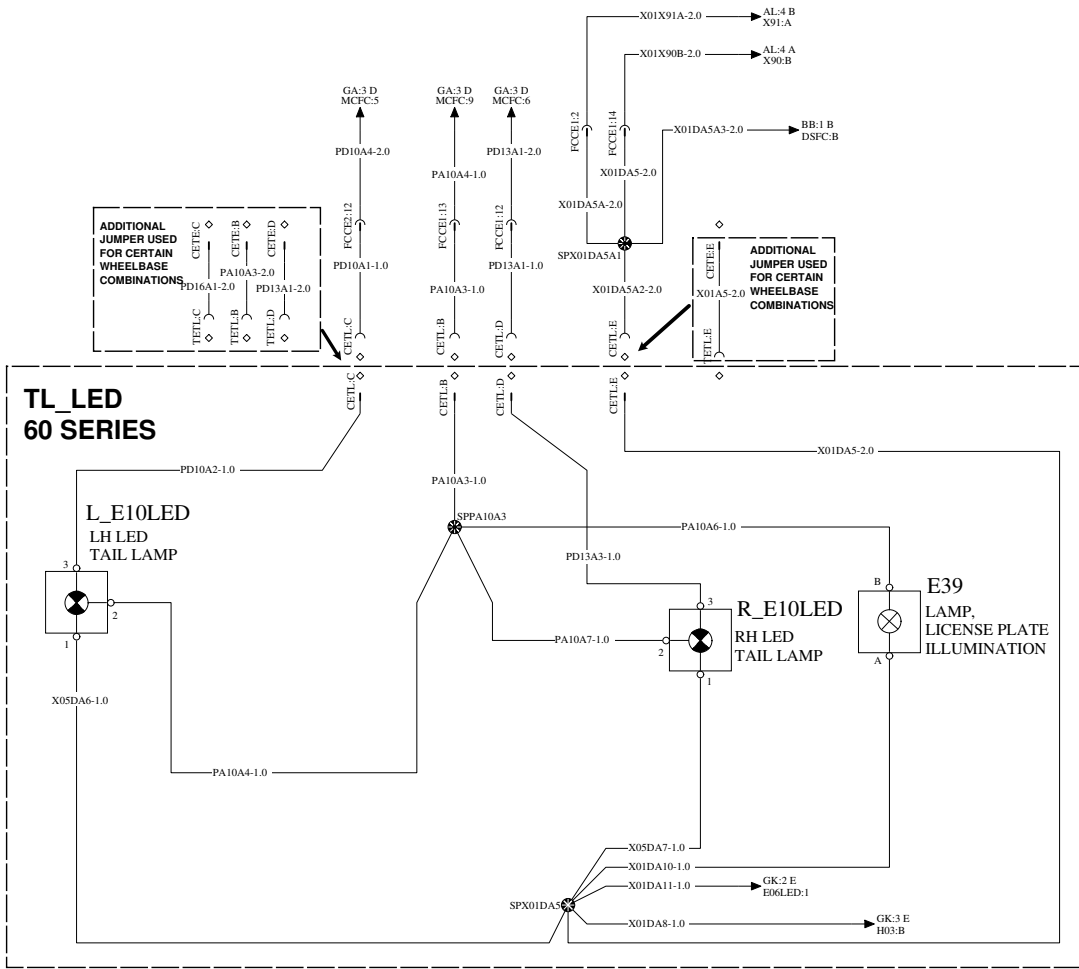
WIRING DIAGRAM: GD





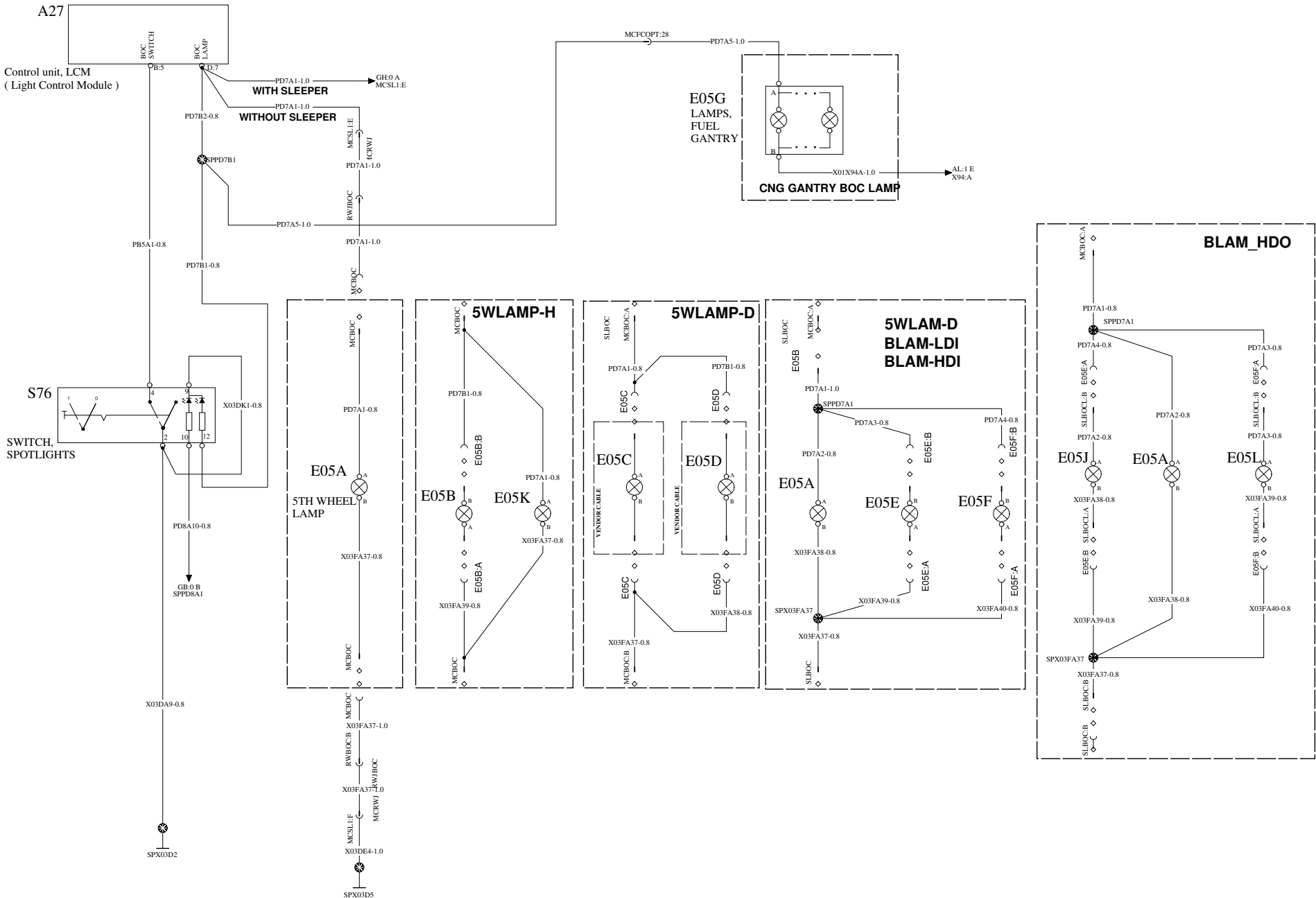
TAIL LAMPS W/ALARM

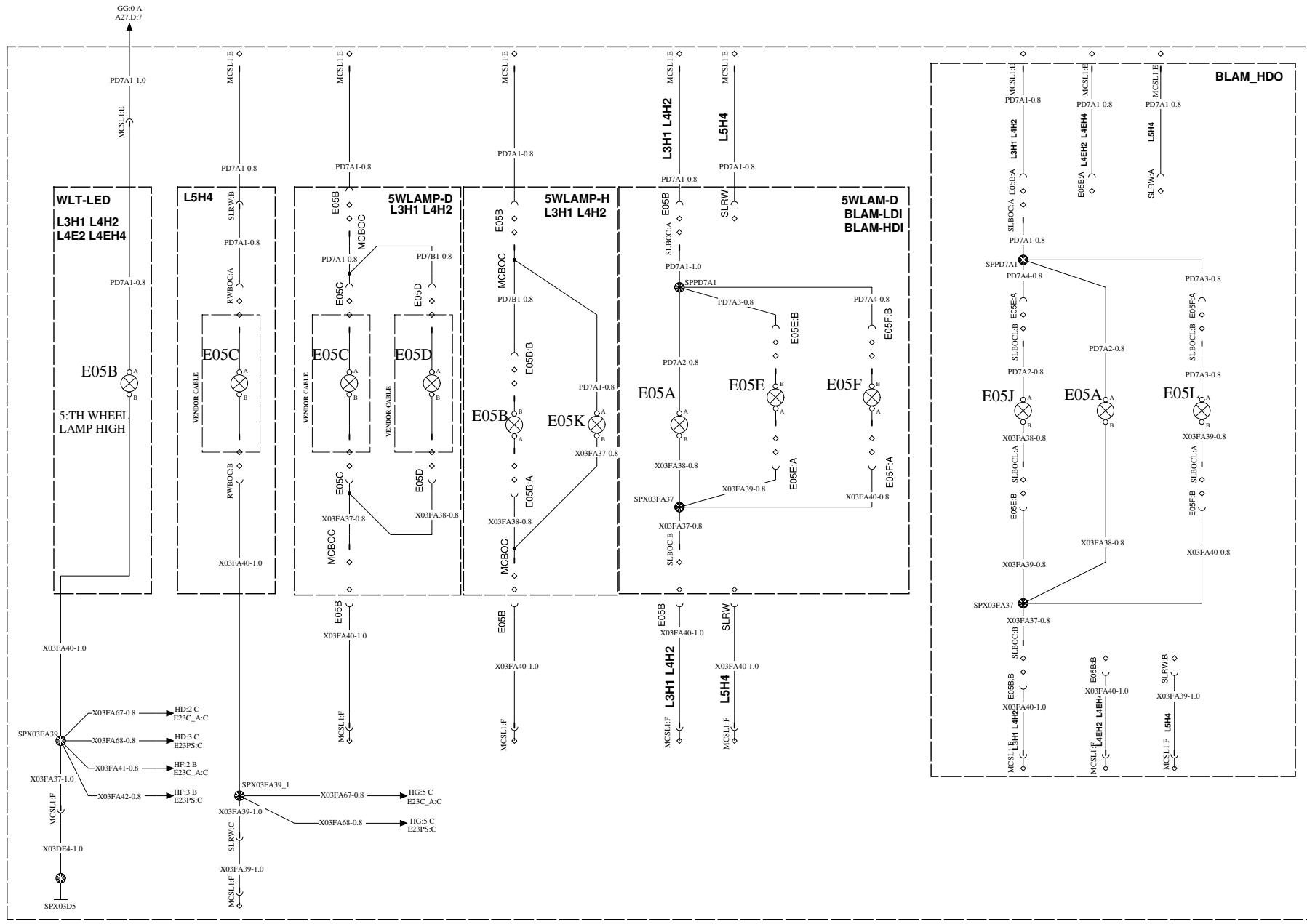
WIRING DIAGRAM: GF



BACK OF CAB LAMPS L1

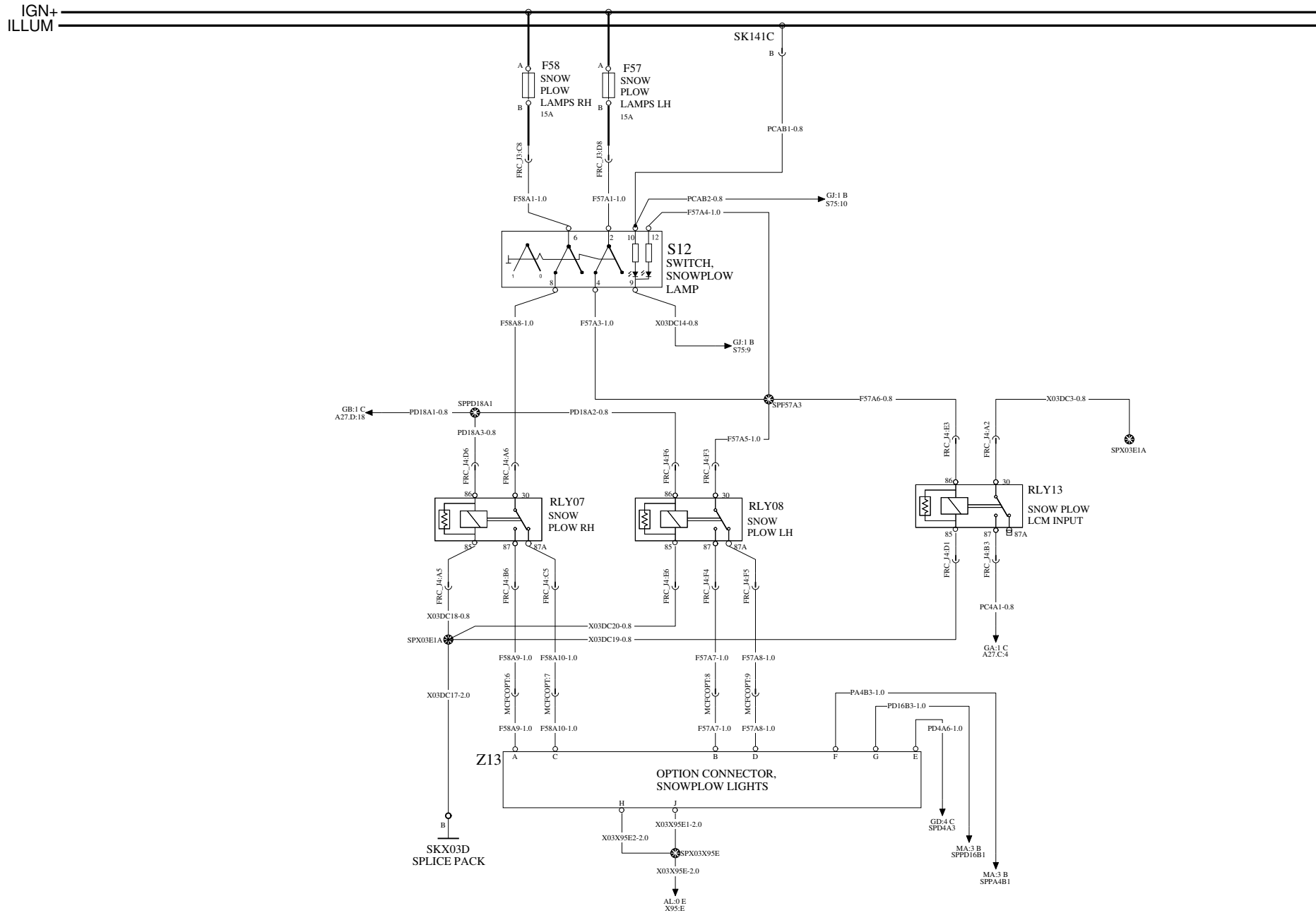
WIRING DIAGRAM: GG





# SNOW PLOW AND BEACON LAMPS

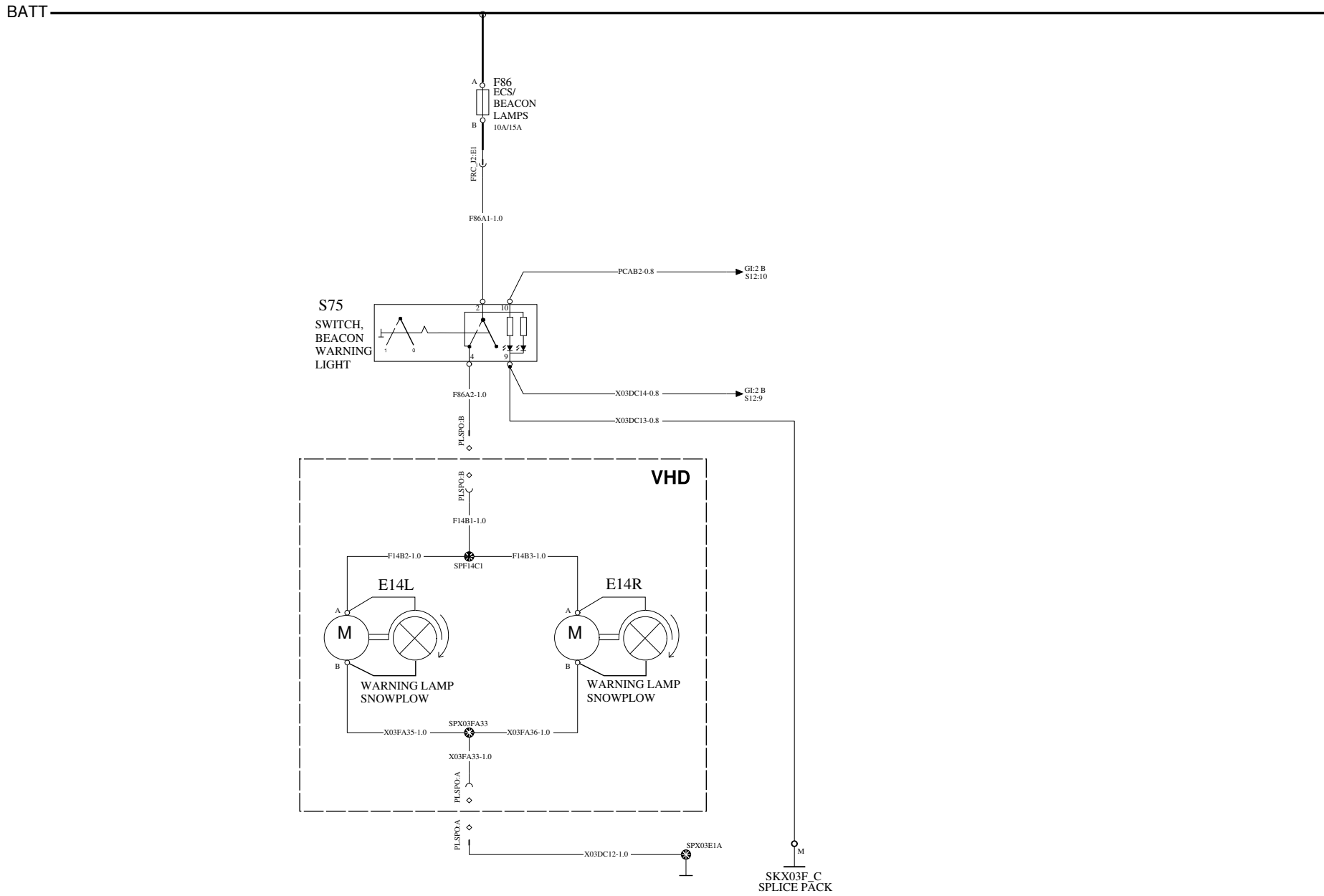
# WIRING DIAGRAM: GI





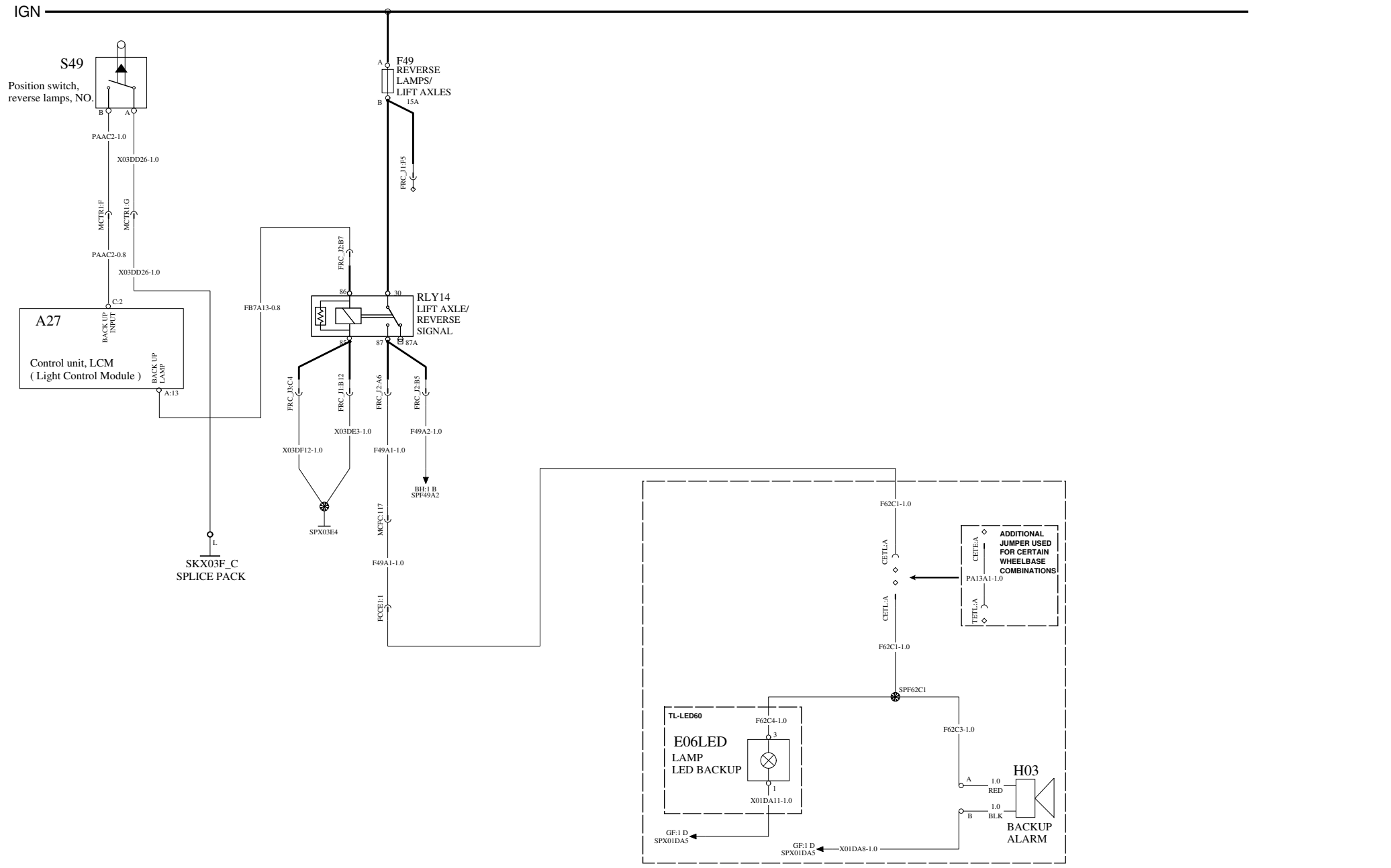
BEACON LAMPS

WIRING DIAGRAM: GJ



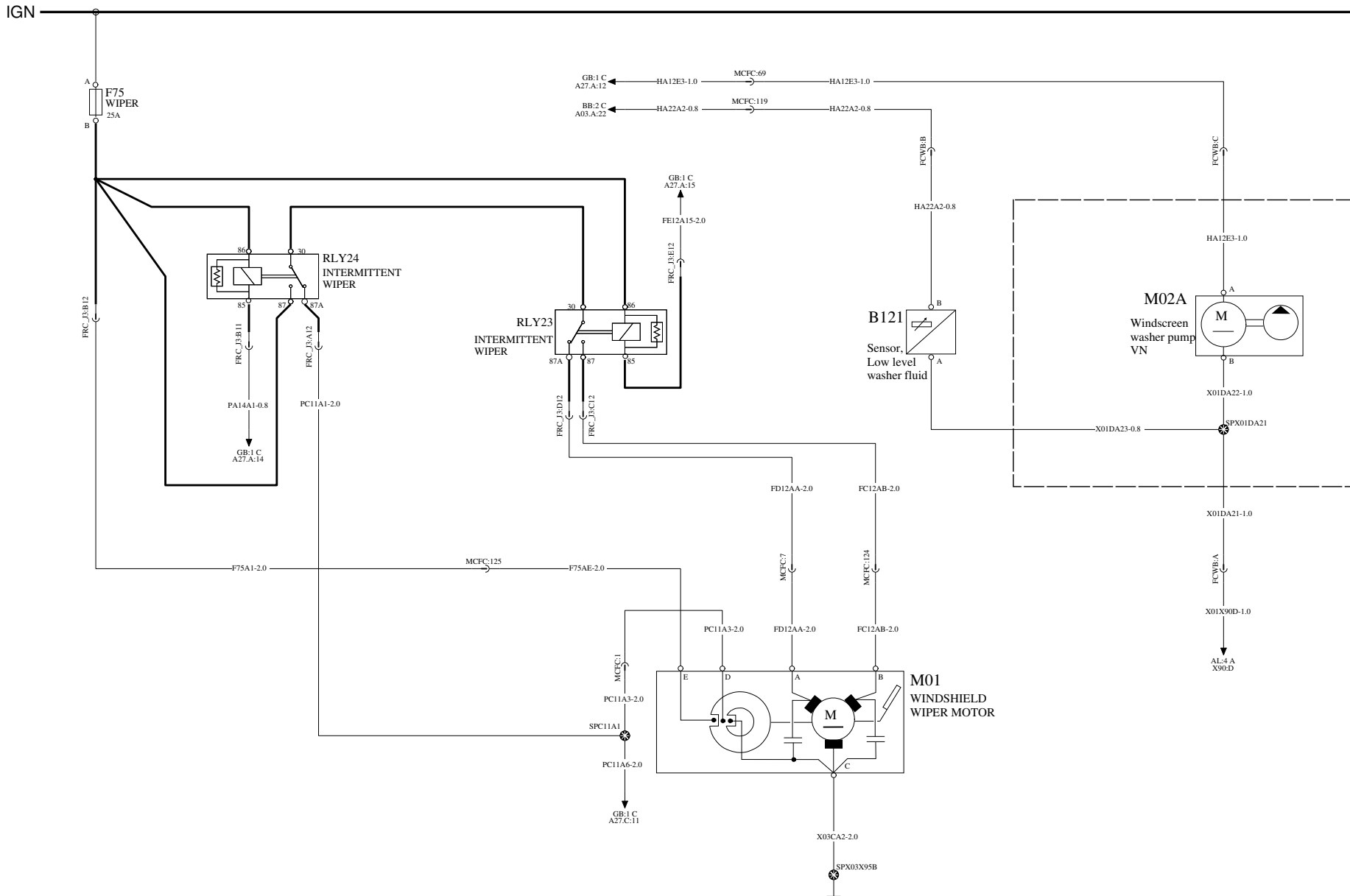
BACK UP LAMPS WITH ALARM

WIRING DIAGRAM: GK

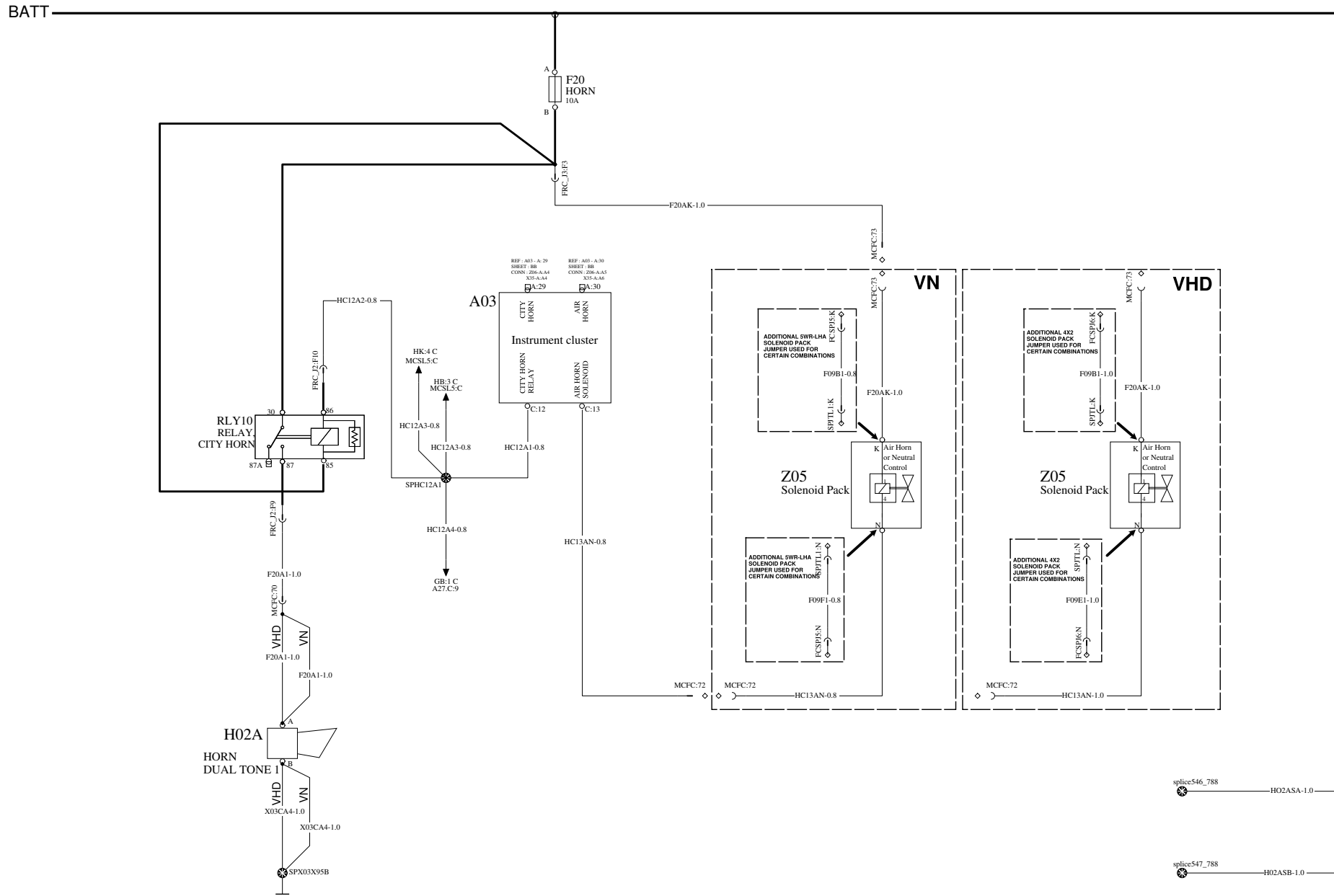


WINDSHIELD WASHER

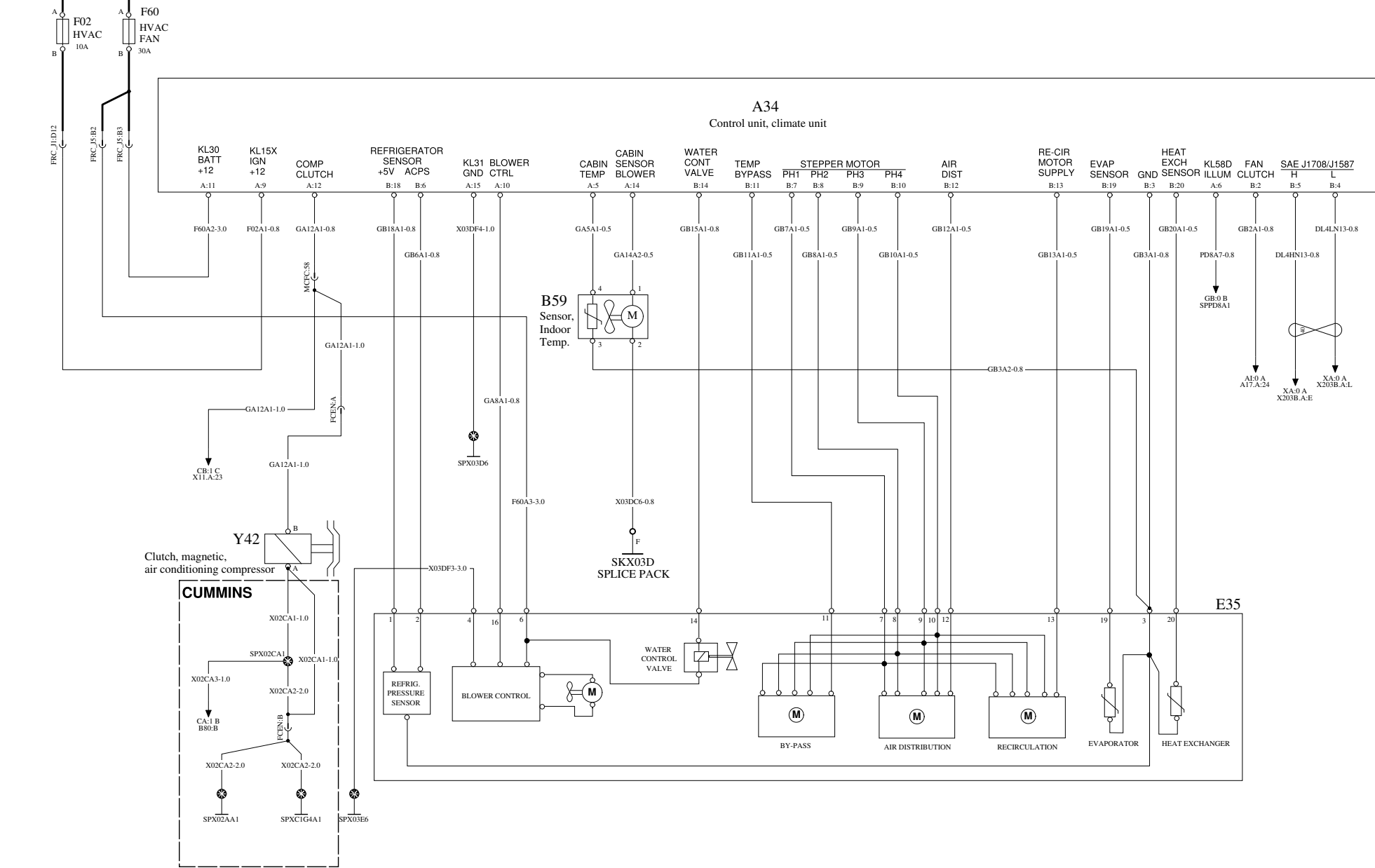
WIRING DIAGRAM: GP



HORN WIRING DIAGRAM: GQ

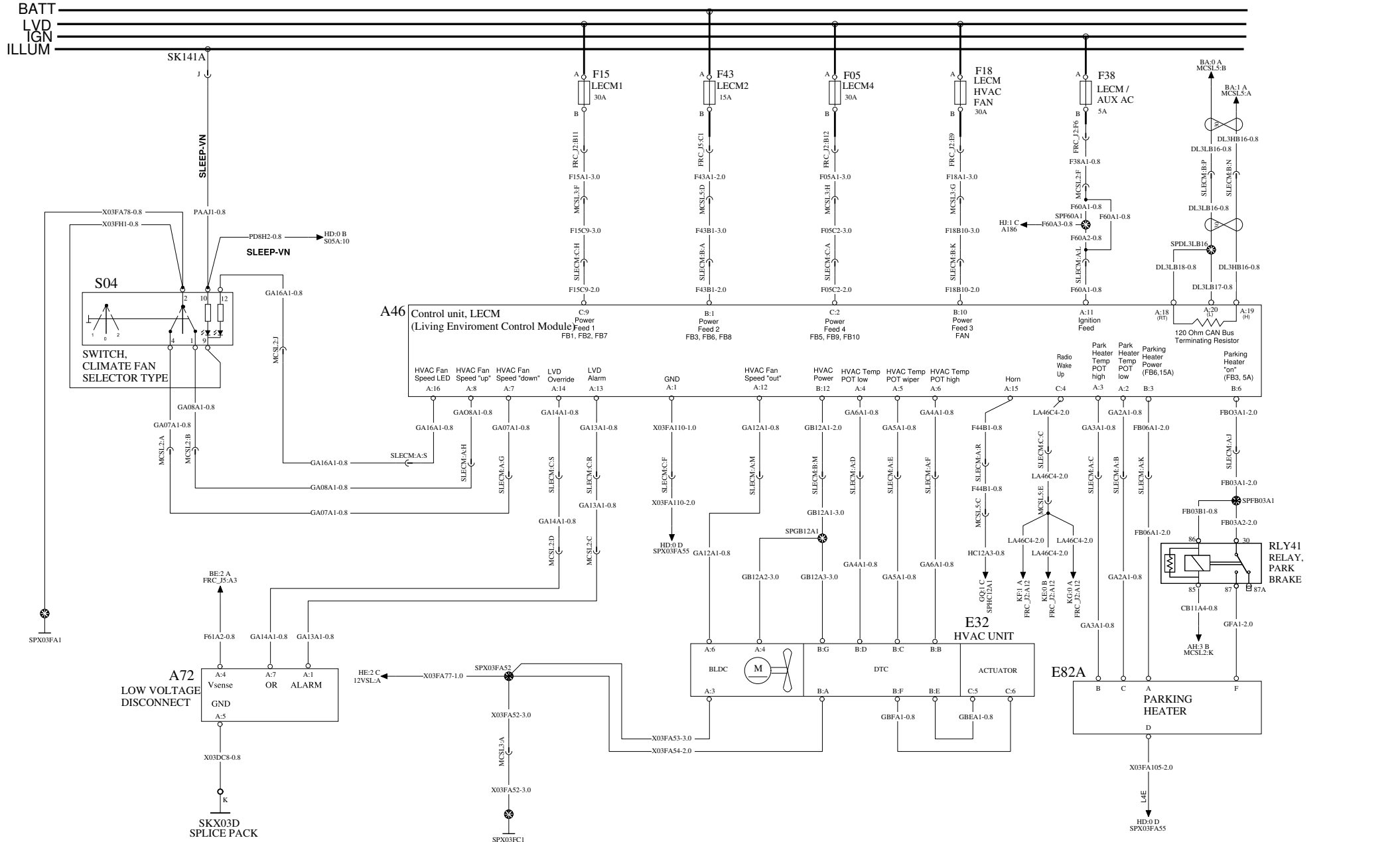


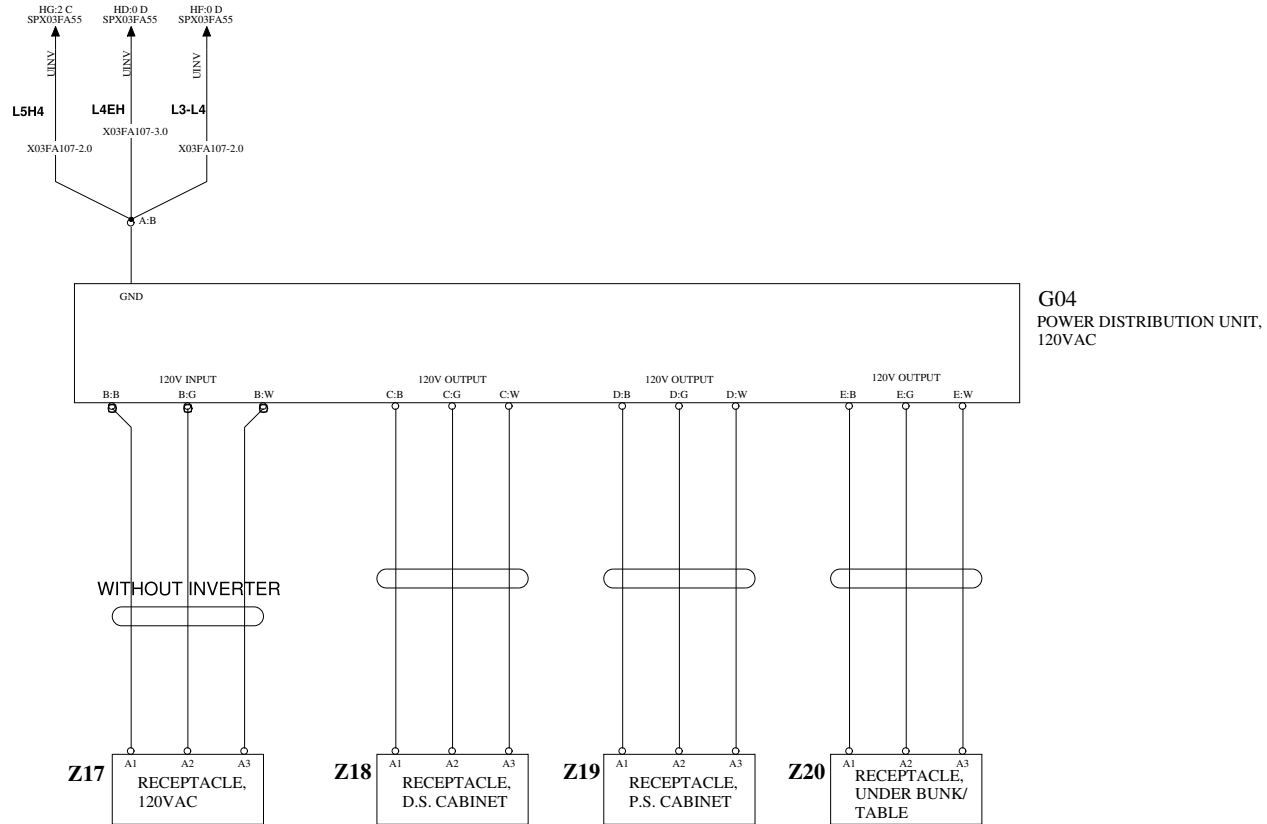
BATT ACC



SLEEPER BASE CLIMATE CONTROL W. LECM

WIRING DIAGRAM: HB

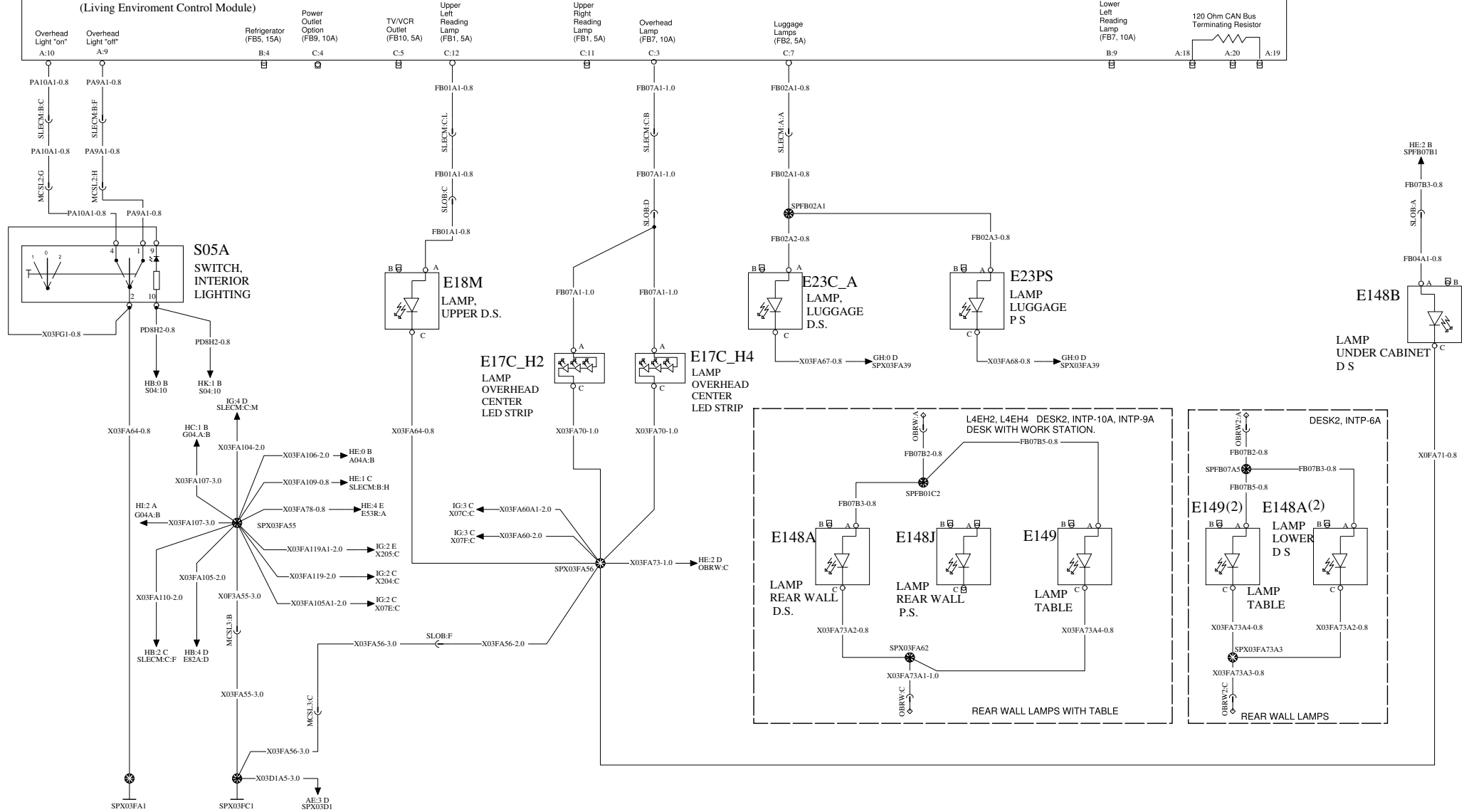




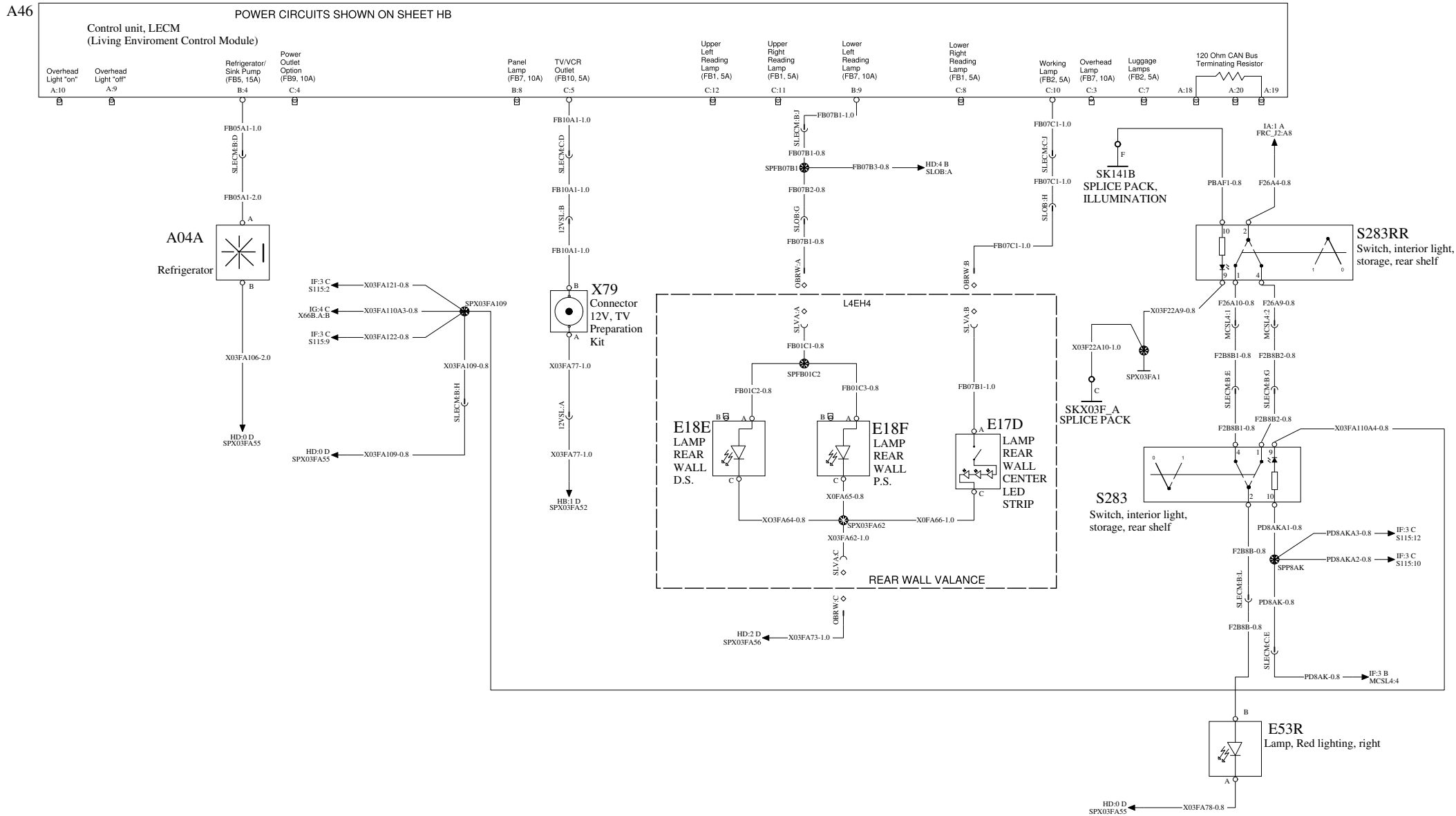
A46

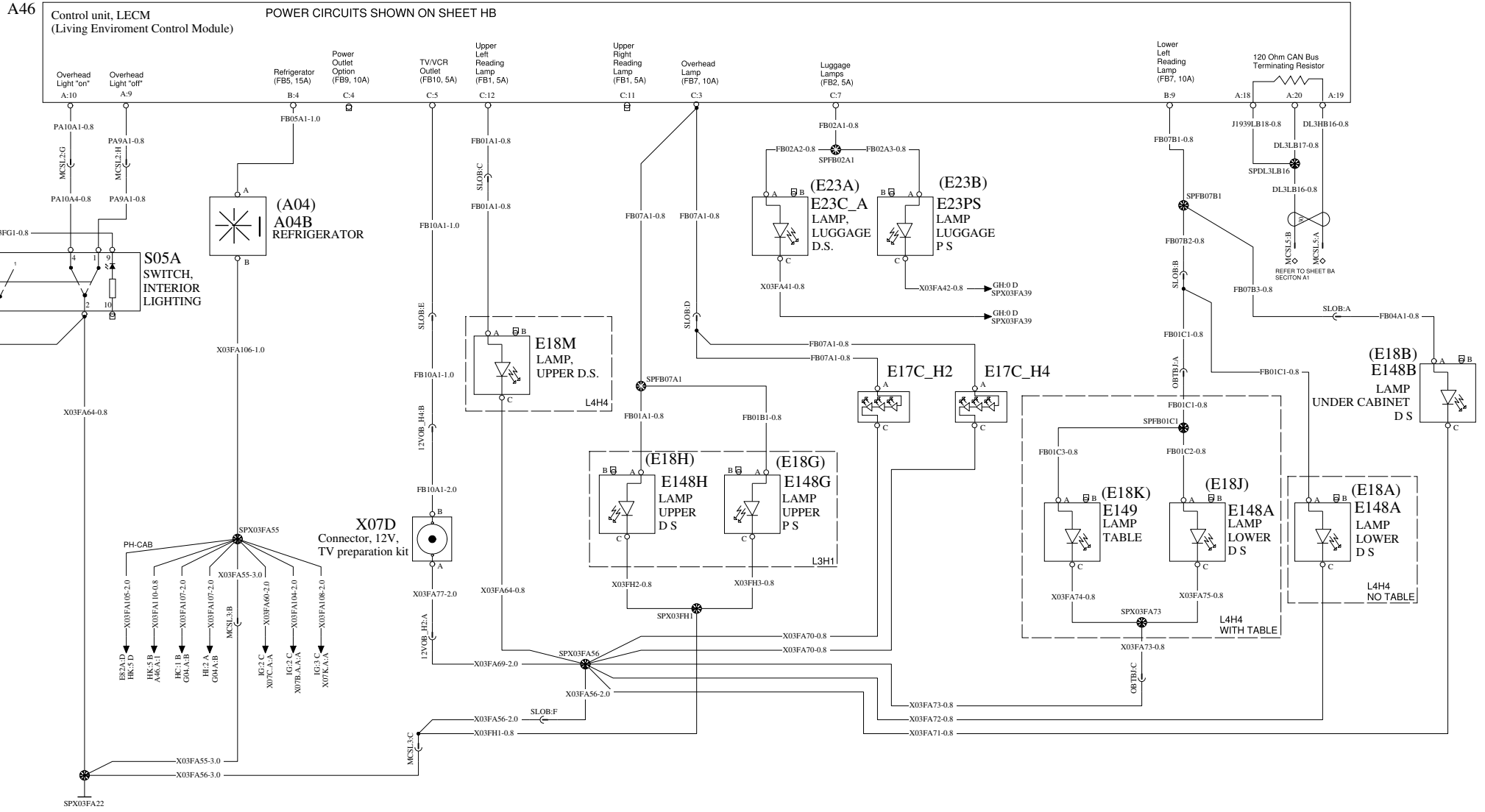
POWER CIRCUITS SHOWN ON SHEET HB

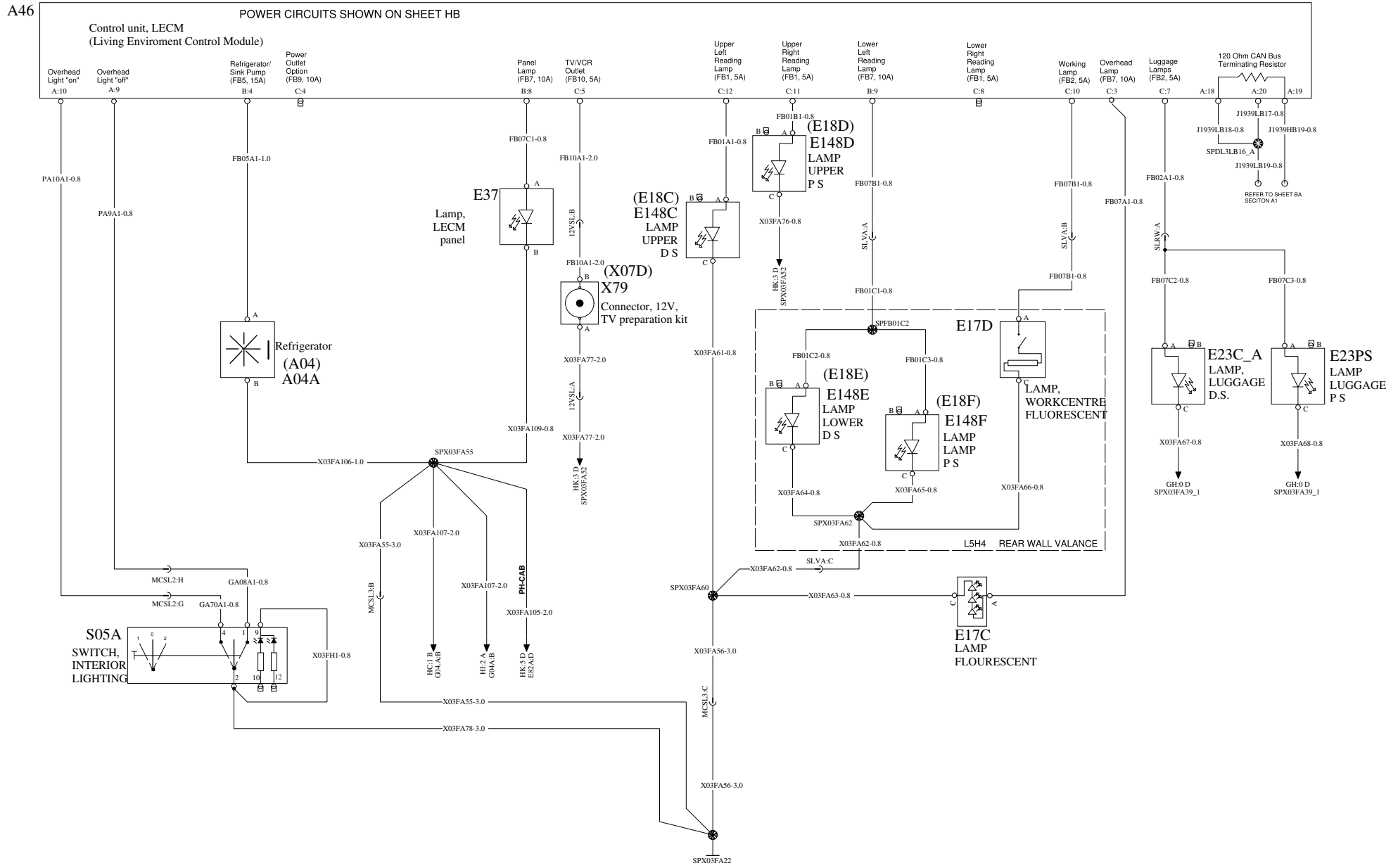
Control unit, LECM  
(Living Environment Control Module)





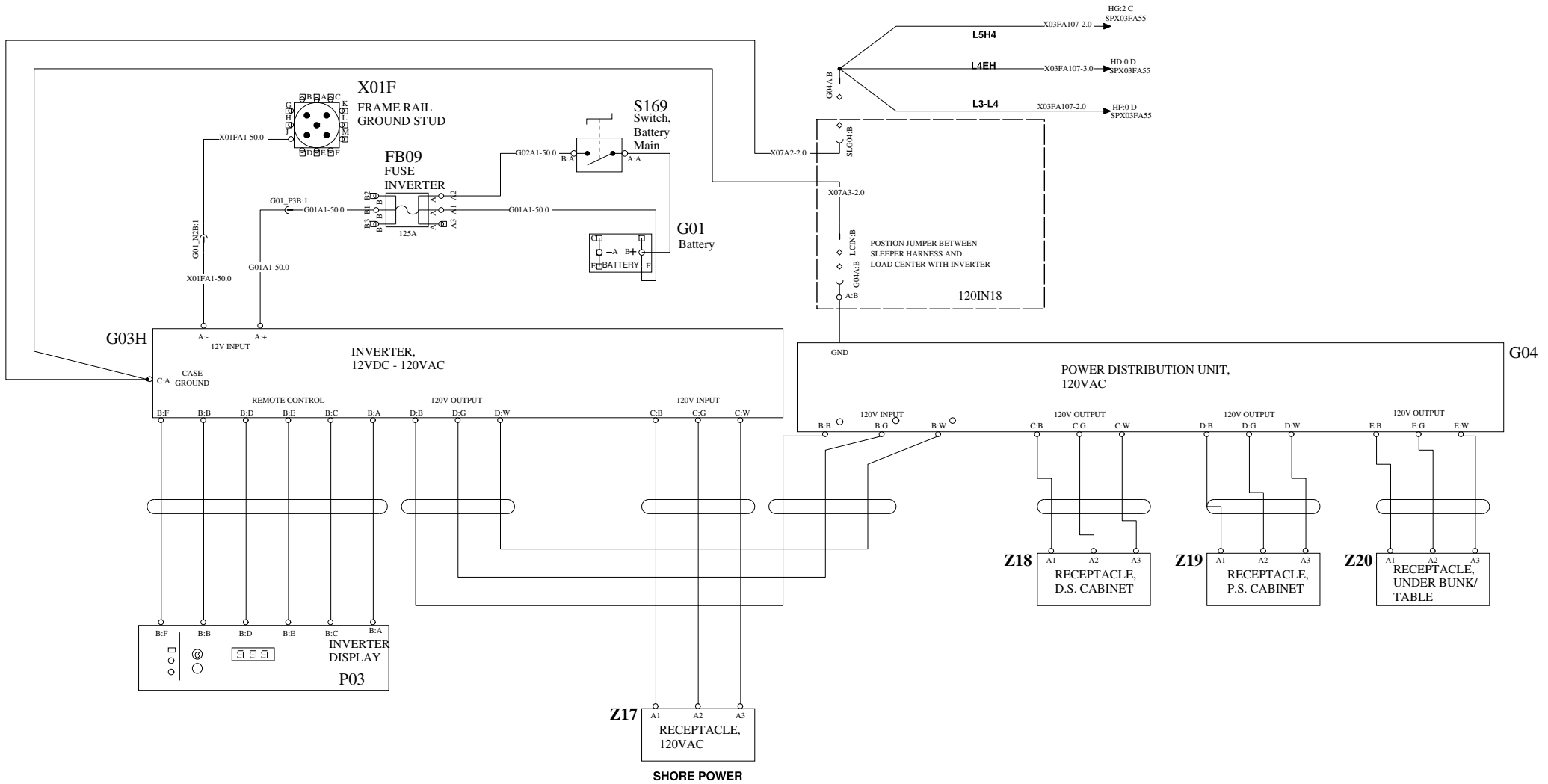






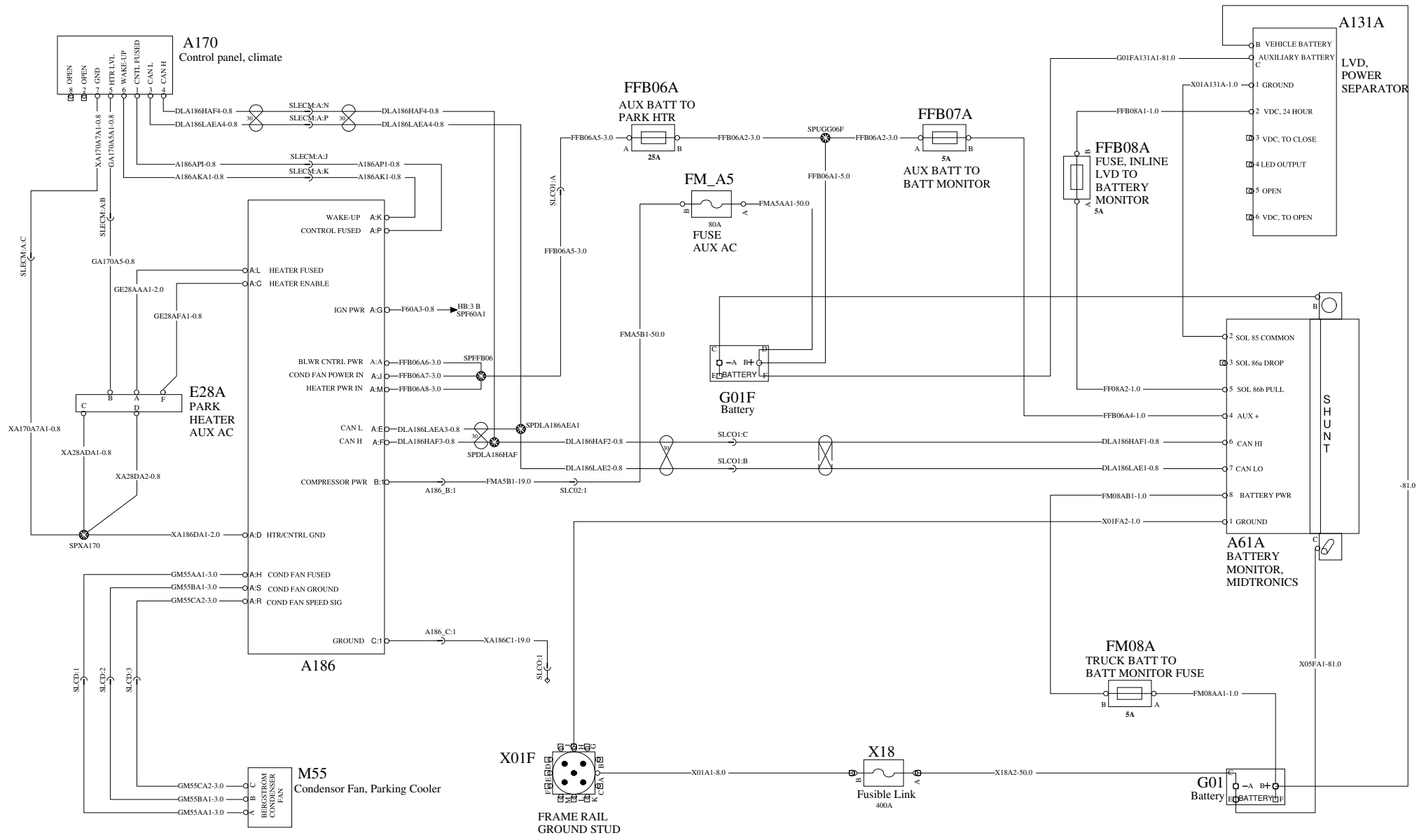
CAB MANT. INVERTER W/SHORE POWER

WIRING DIAGRAM: HI



AUXILLIARY 12V PARK COOLING SYSTEM L4E

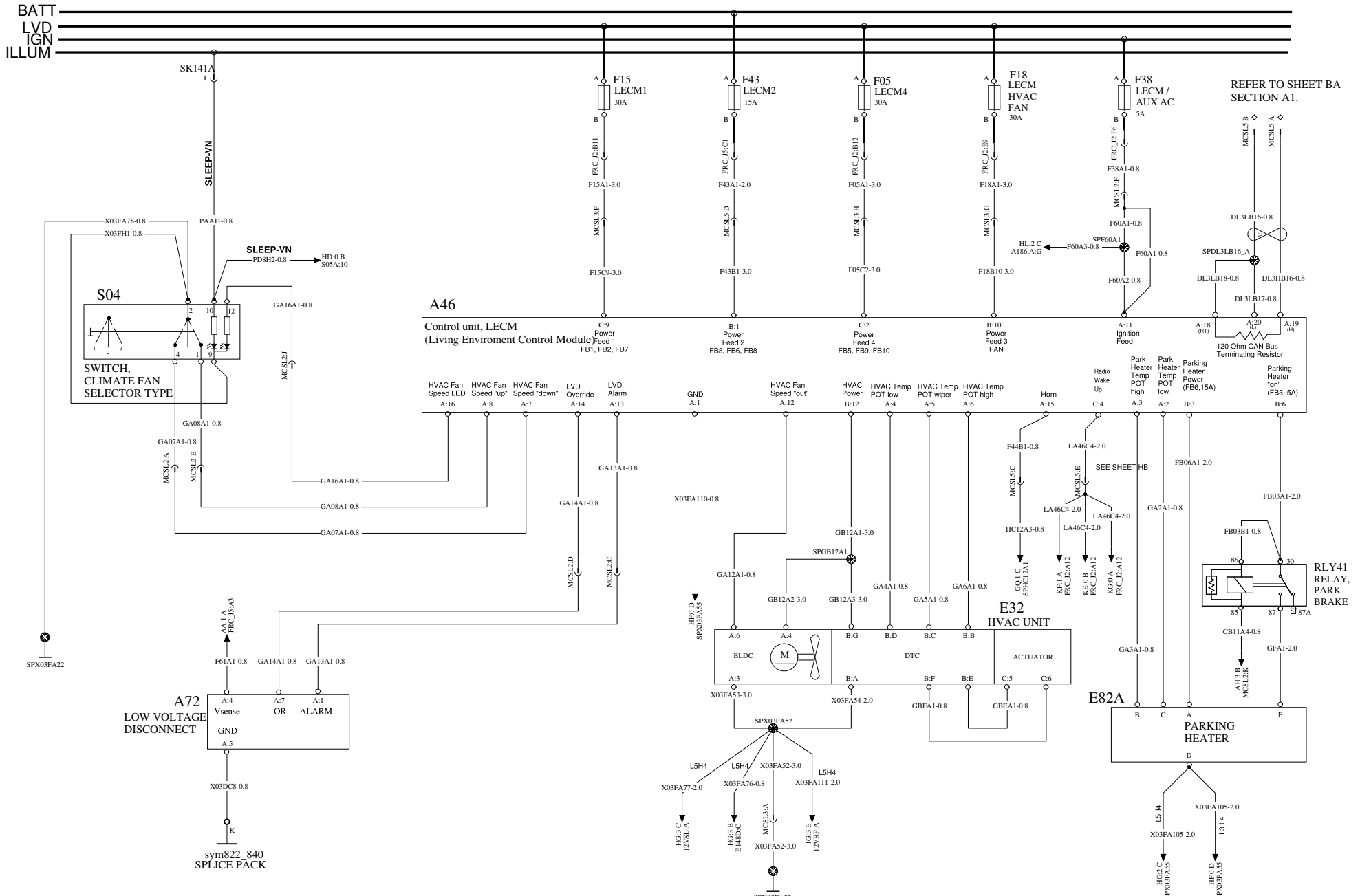
WIRING DIAGRAM: HJ



Volvo Truck Corporation	Document title	Document No	Issue	Volume	Page
	WIRING DIAGRAM, 12V SCHEMATIC	23986311	04	1 (1)	77 (114)
	Document type				
	PRODUCT SCHEMATIC				

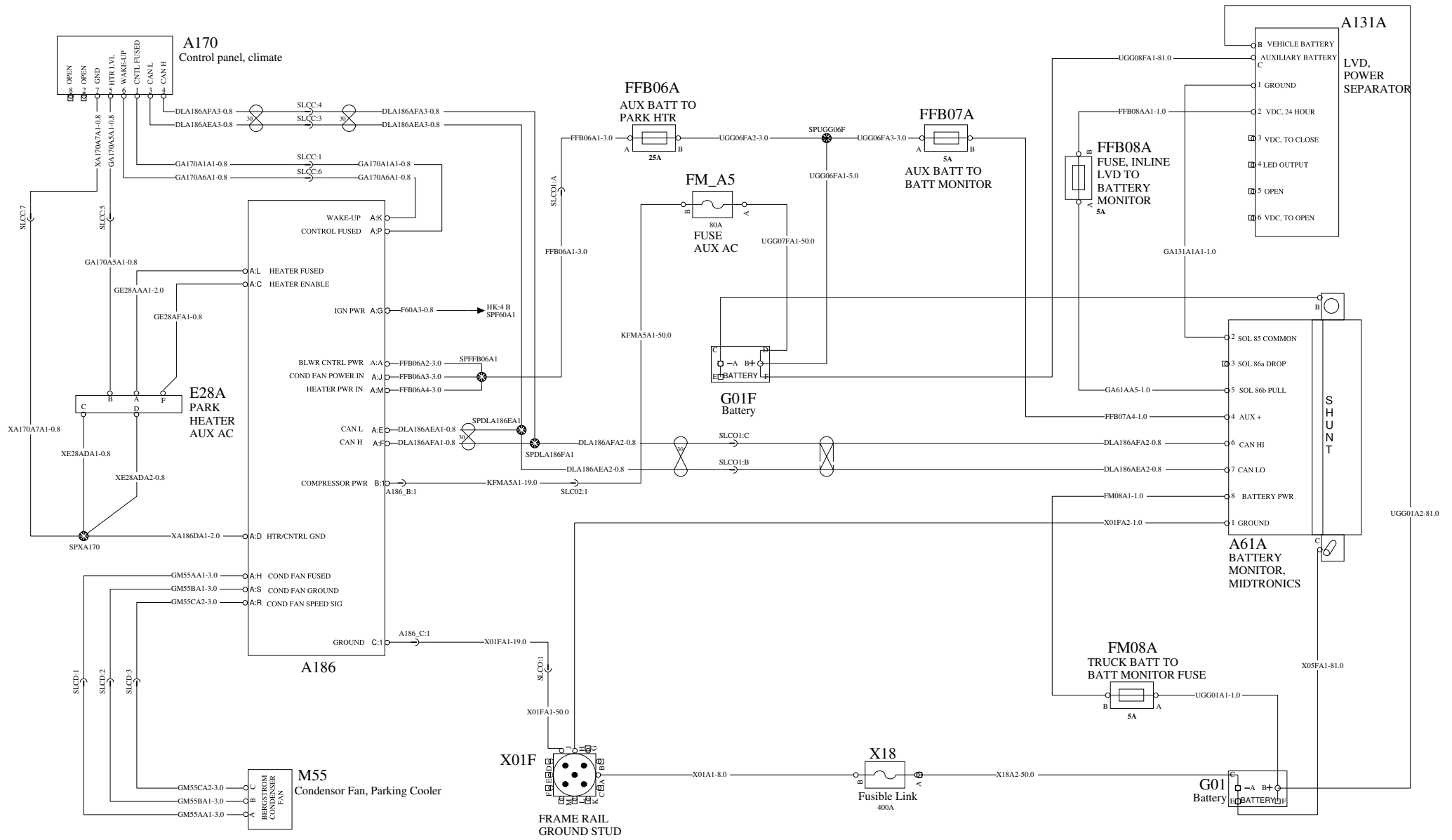
SLEEPER CLIMATE CONTROL L3,L4,L5

WIRING DIAGRAM: HK



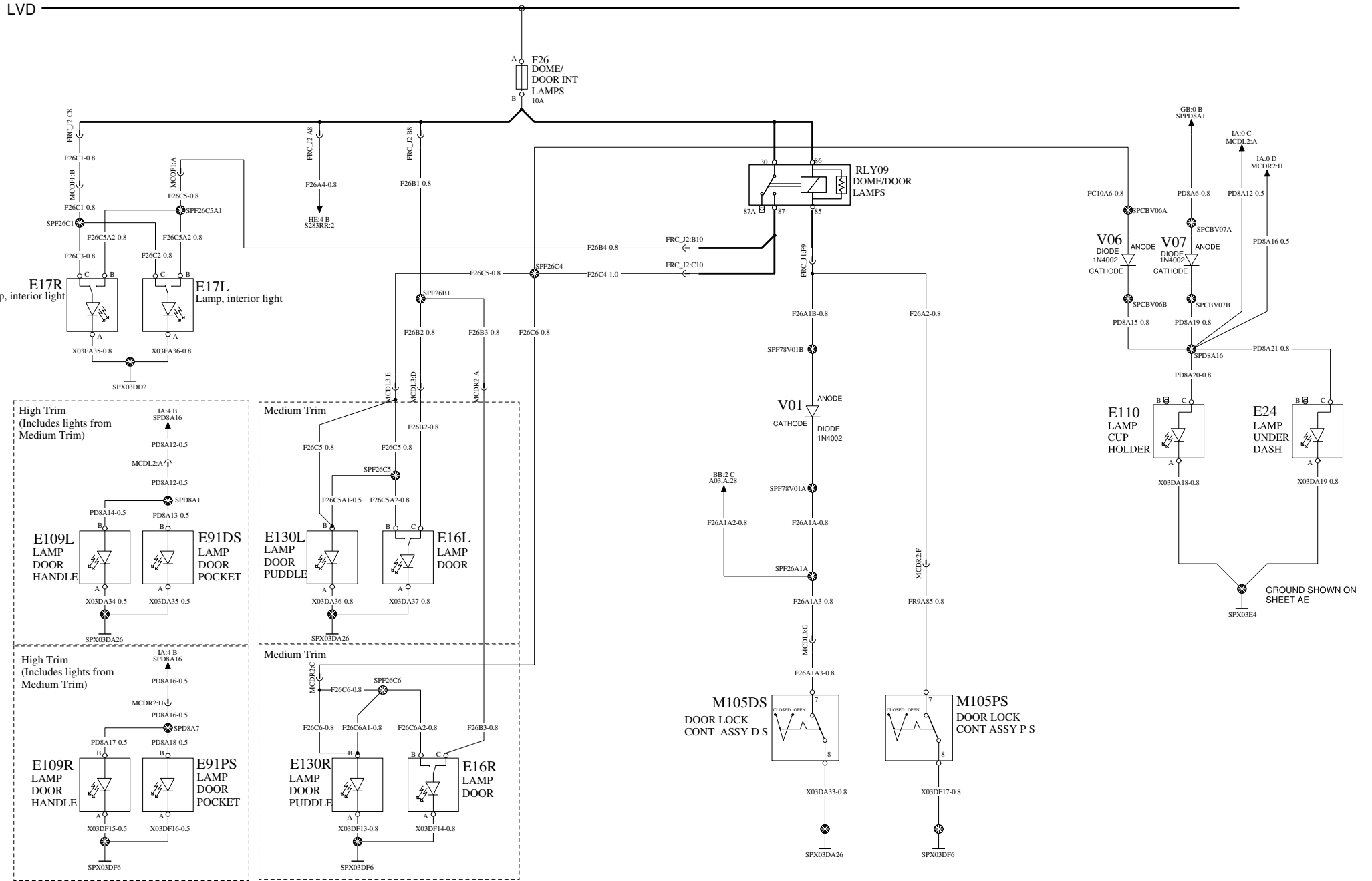
# AUXILLARY 12V PARK COOLING SYSTEM L4 AND L5

# WIRING DIAGRAM: HL



INTERIOR COURTESY LIGHTS

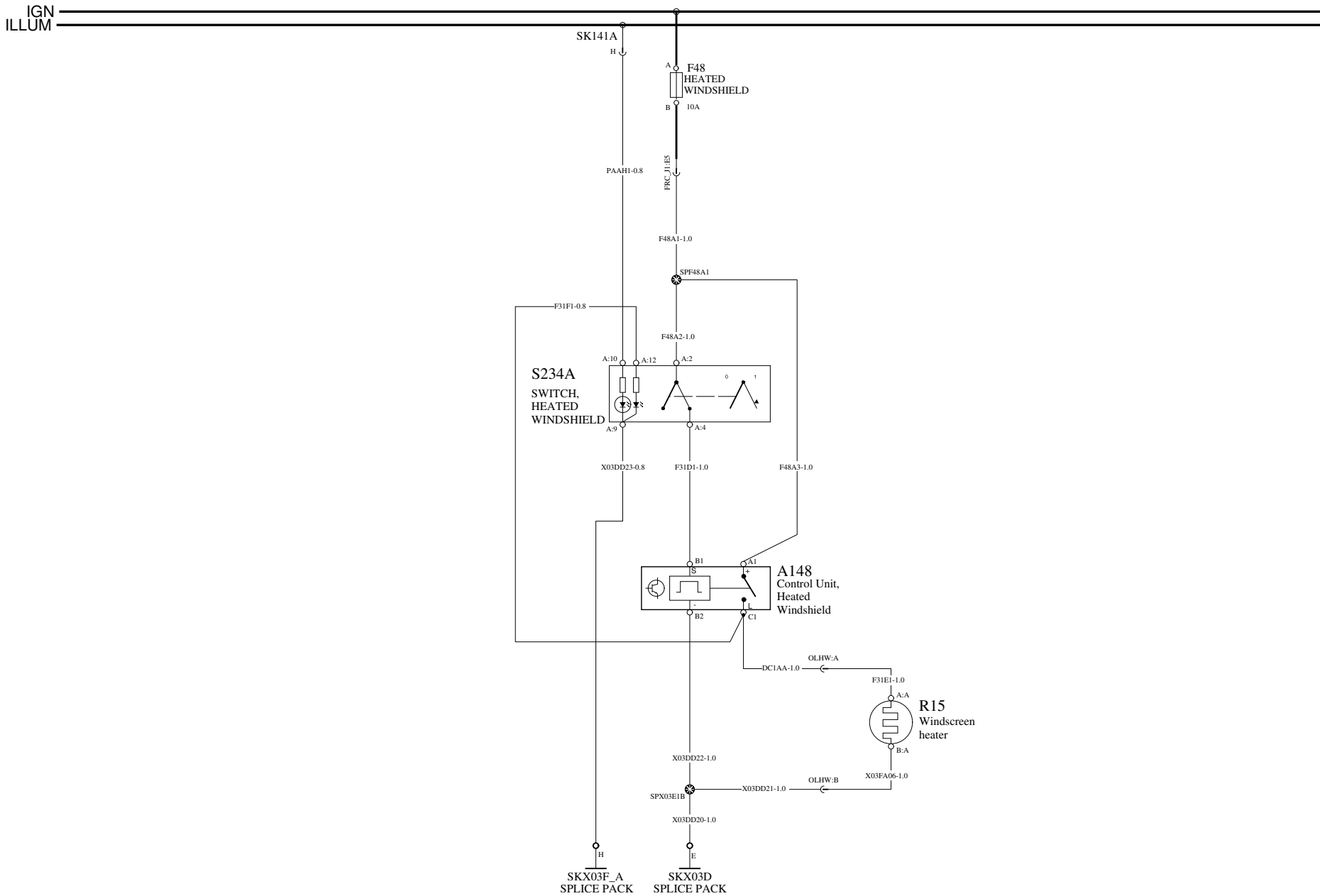
WIRING DIAGRAM: IA

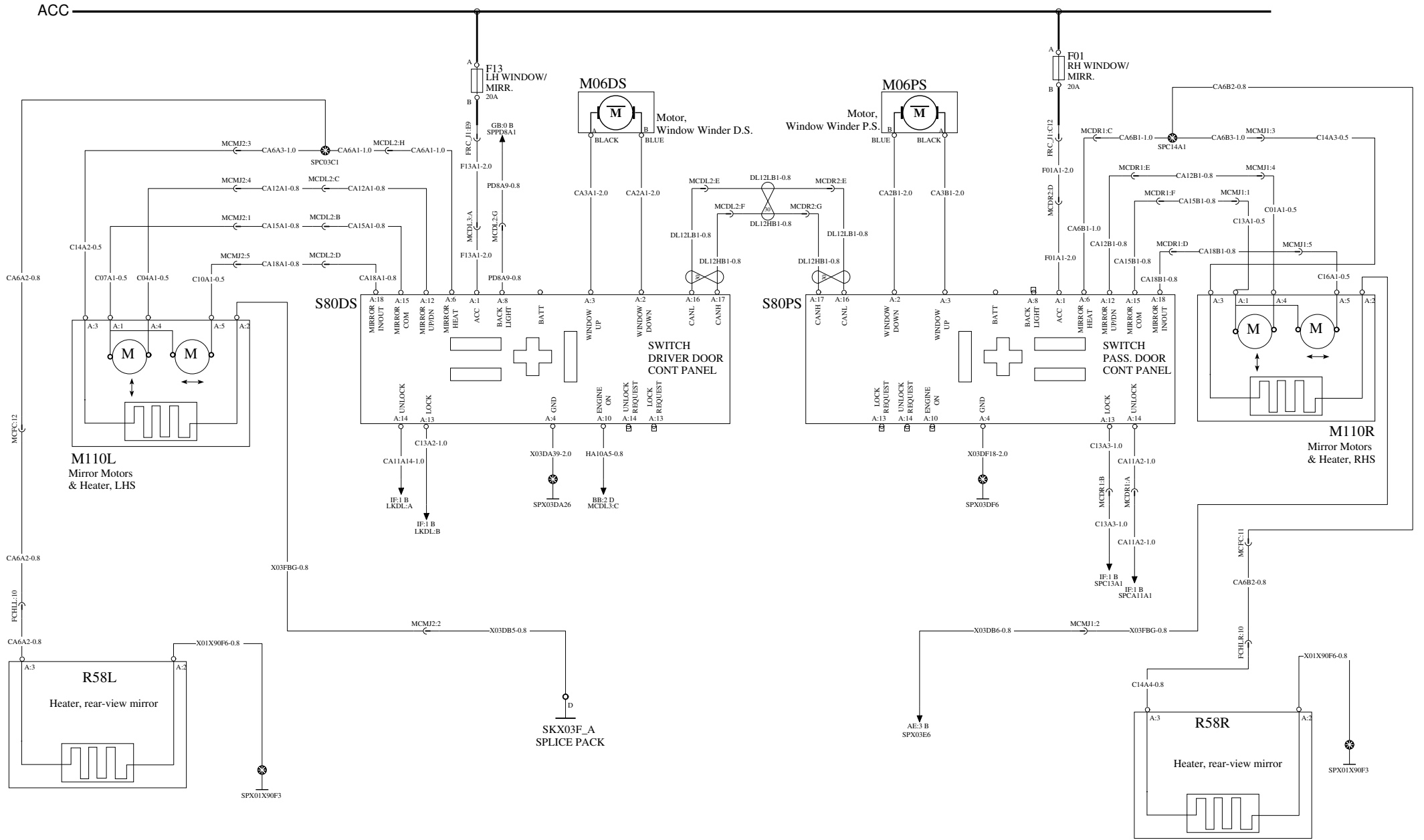


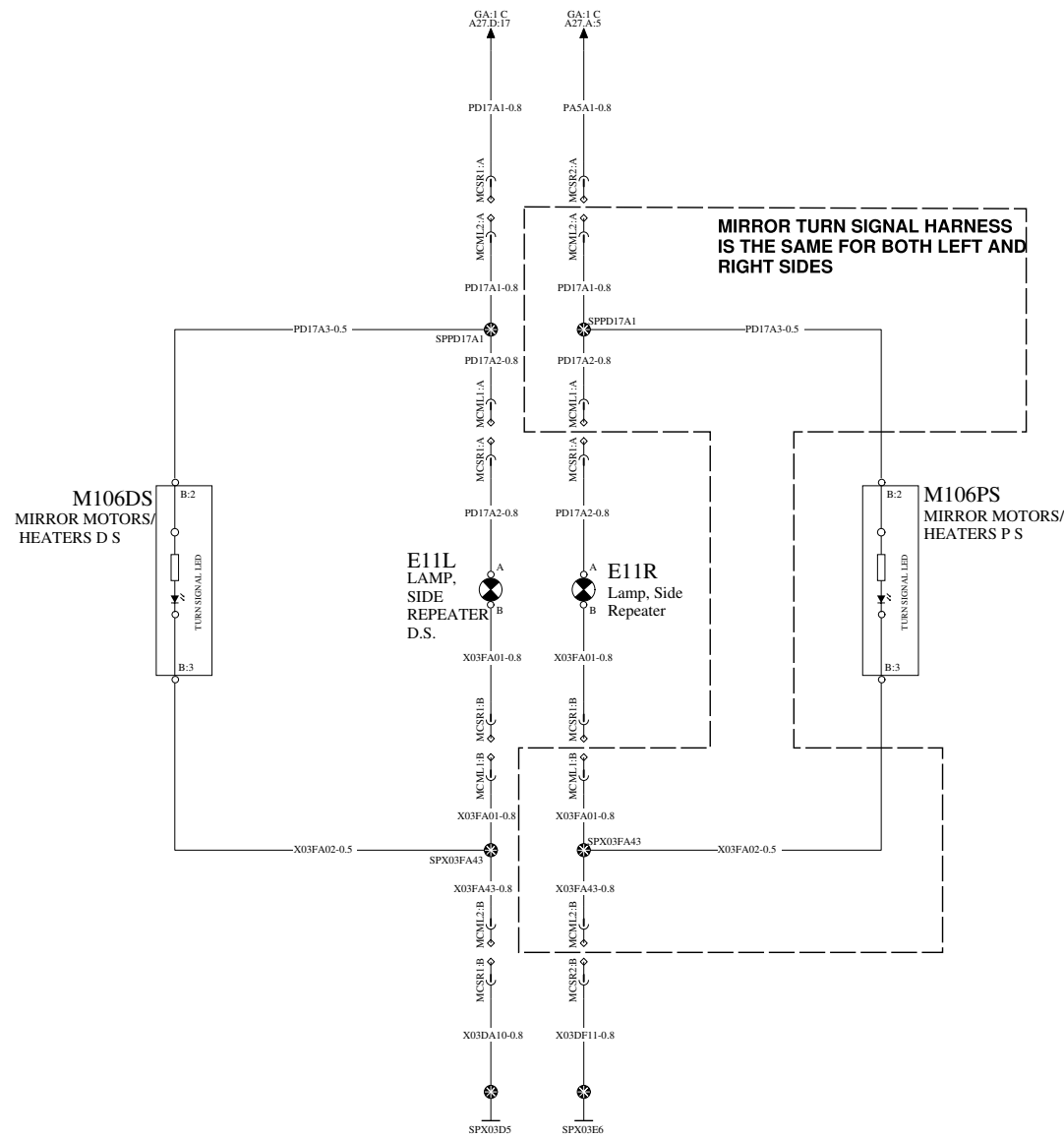


HEATED WINDSHIELD

WIRING DIAGRAM: IB

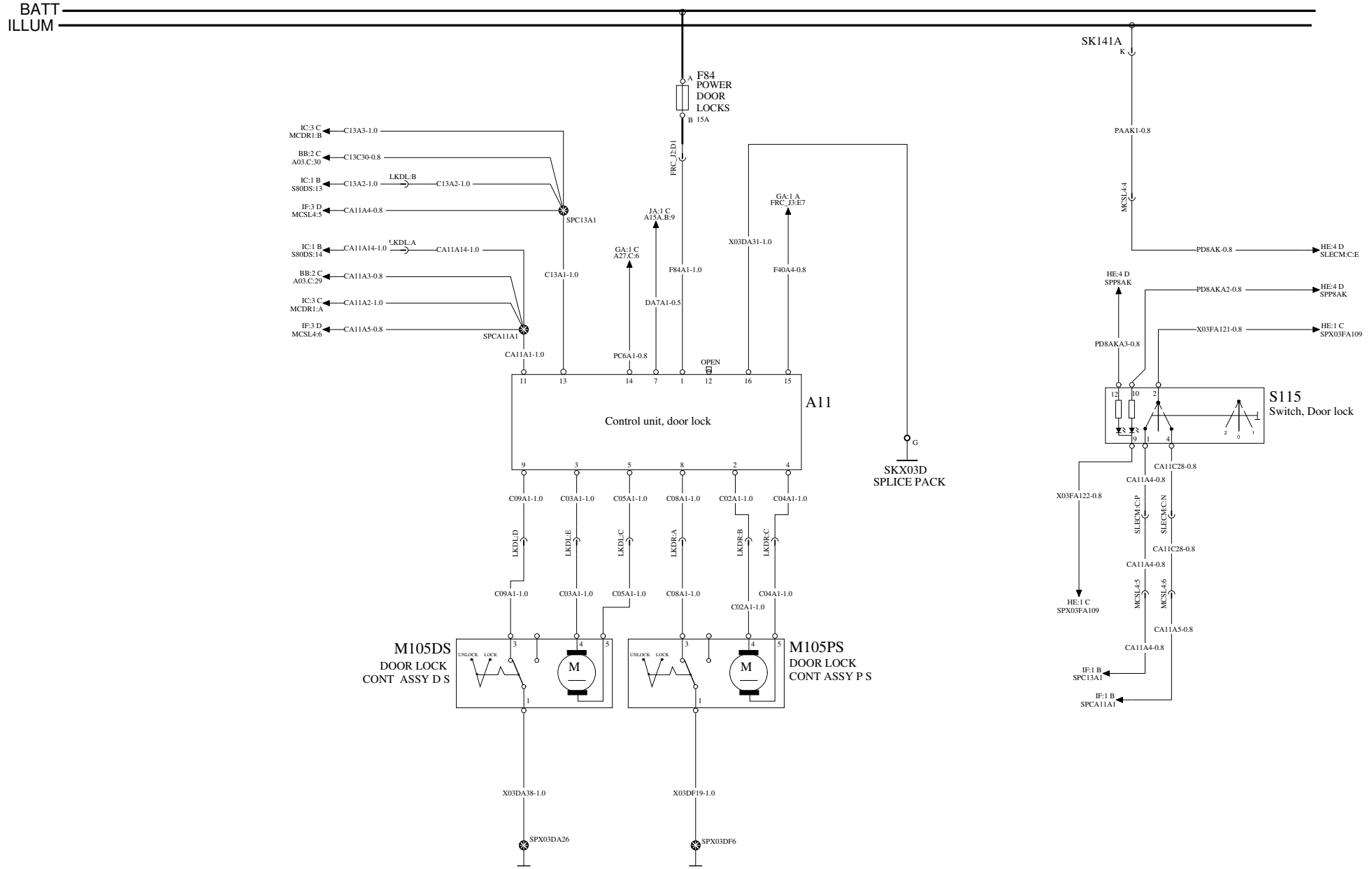


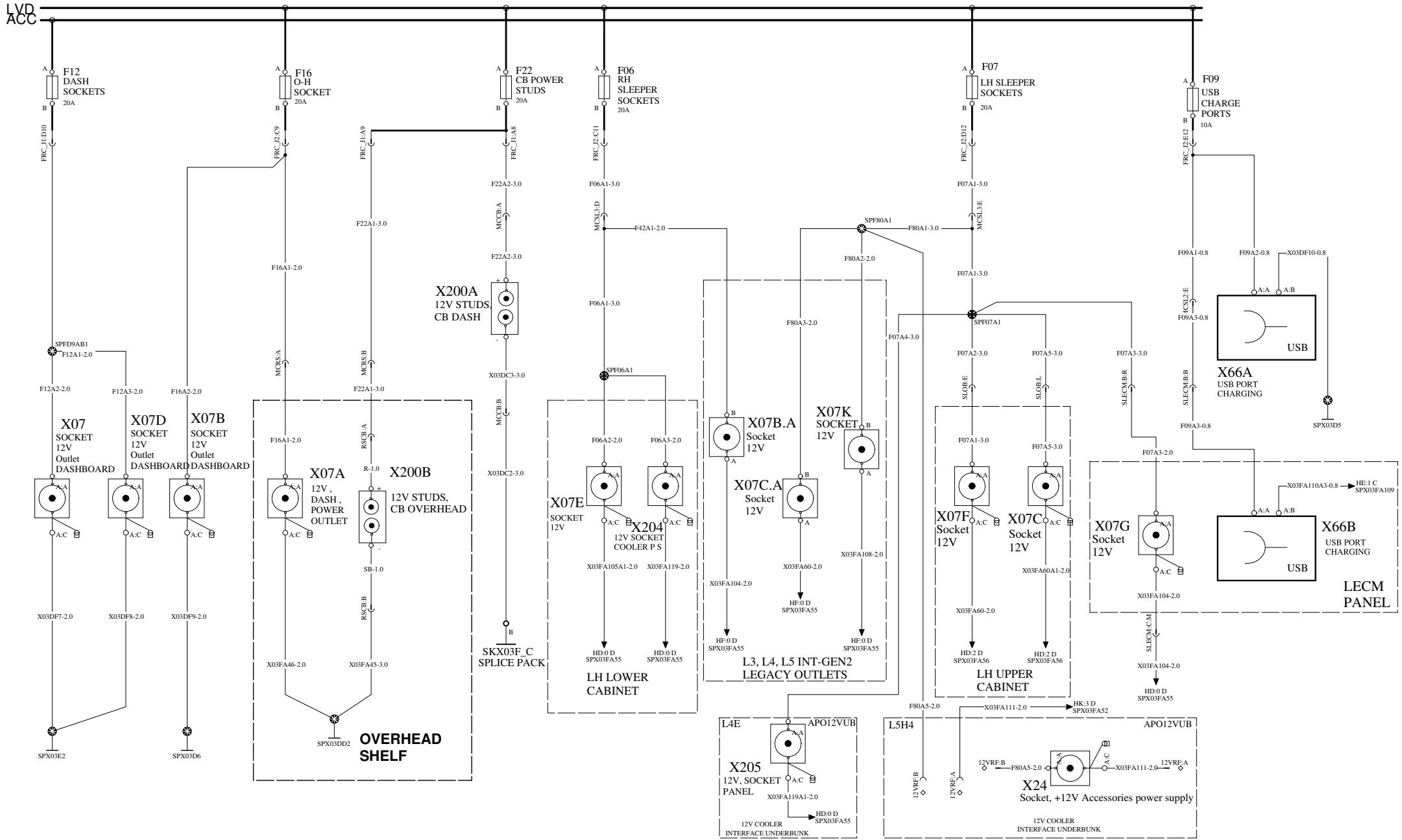


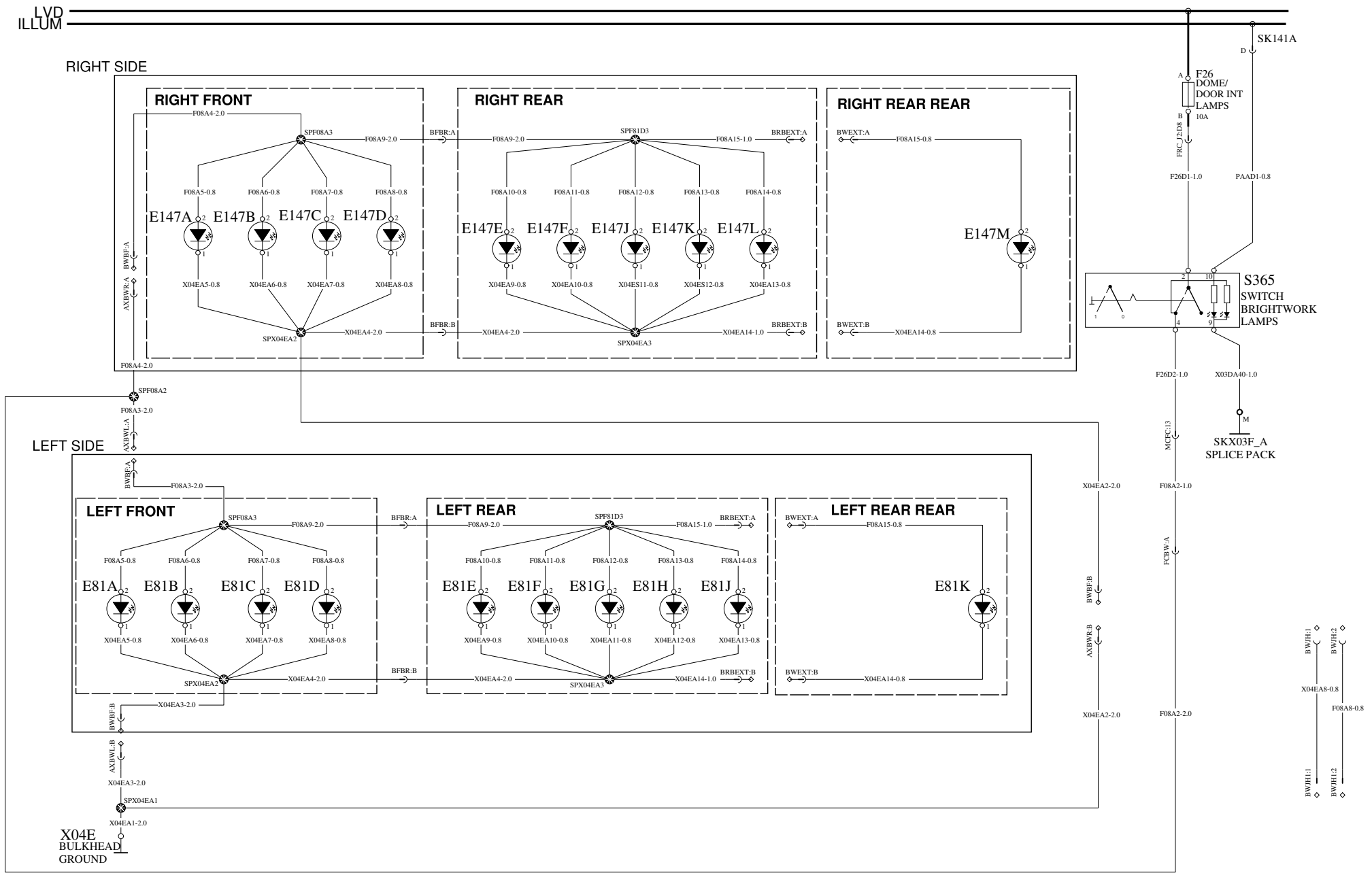


CENTRAL/ REMOTE DOOR LOCKING

WIRING DIAGRAM: IF

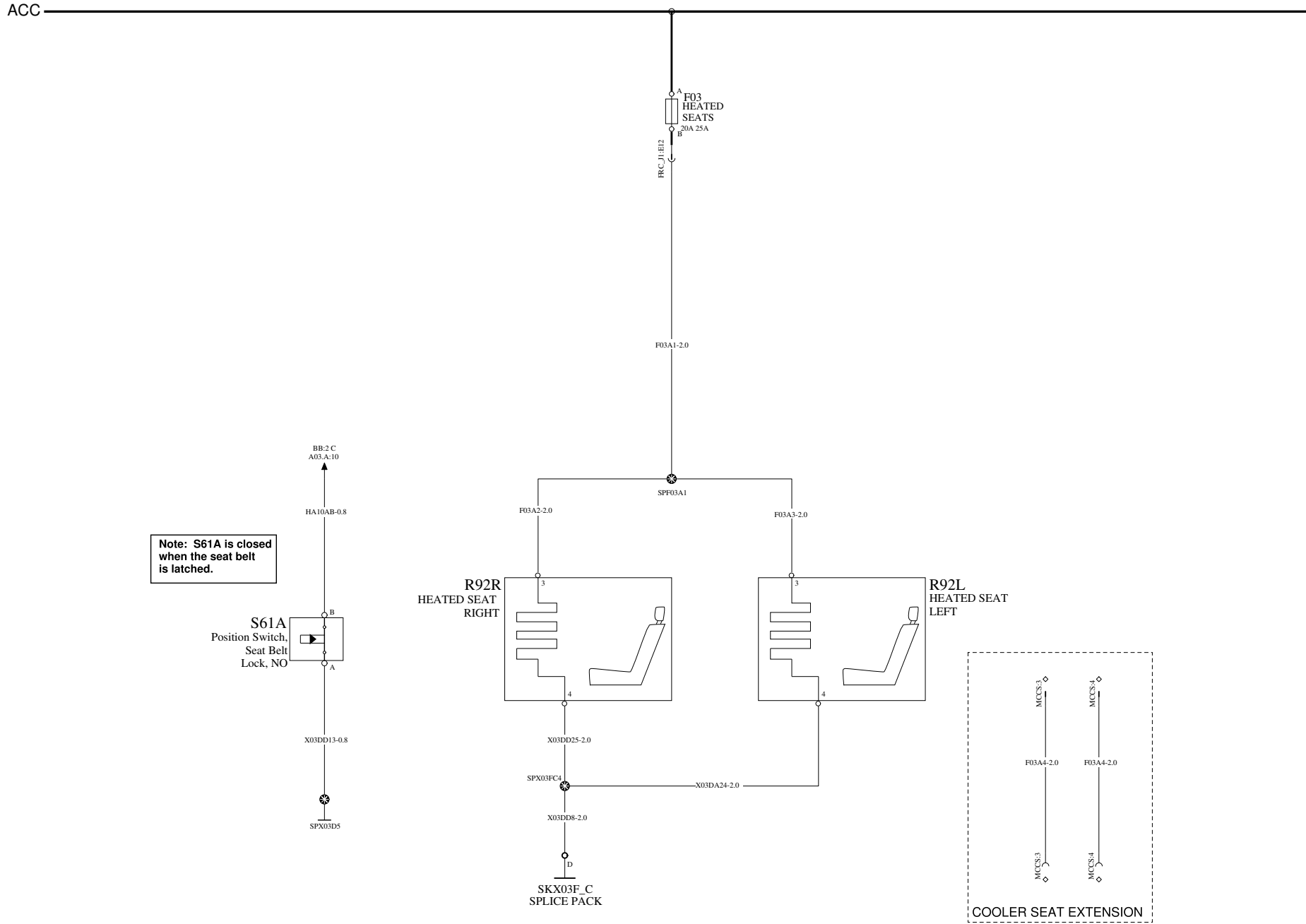






SEAT BELTS, HEATED SEATS

WIRING DIAGRAM: IR

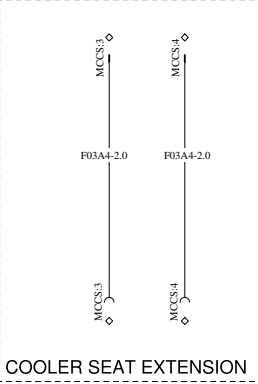


Note: S61A is closed when the seat belt is latched.

S61A  
Position Switch,  
Seat Belt  
Lock, NO

R92R  
HEATED SEAT  
RIGHT

R92L  
HEATED SEAT  
LEFT



COOLER SEAT EXTENSION

Volvo Truck Corporation

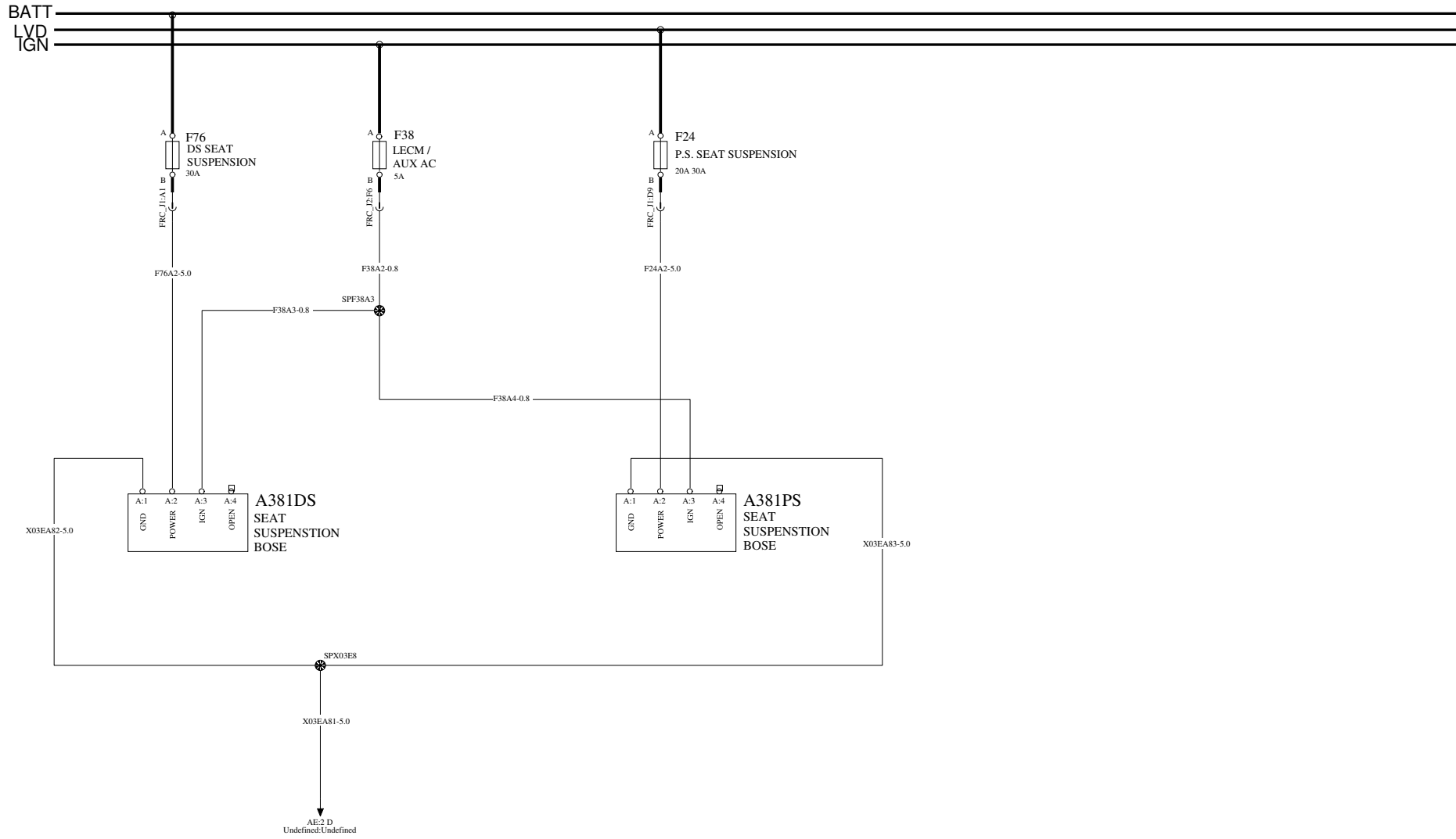
Document title  
WIRING DIAGRAM, 12V SCHEMATIC  
Document type  
PRODUCT SCHEMATIC

Document No  
23986311

Issue  
04

Volume  
1 (1)

Page  
87 (114)

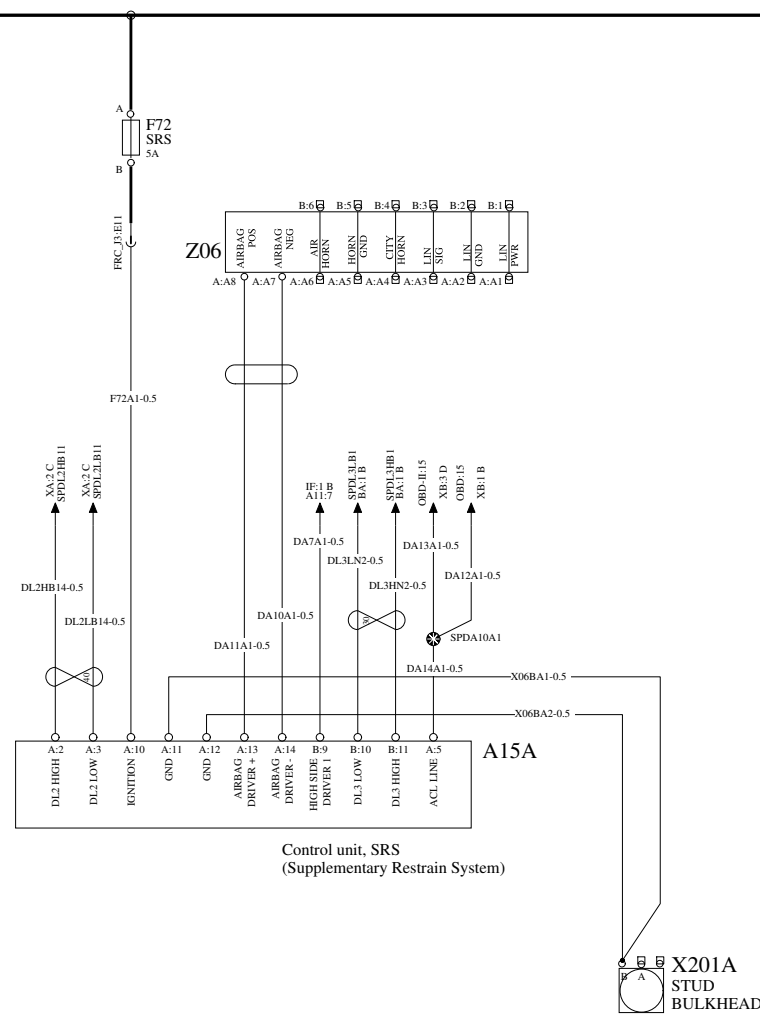




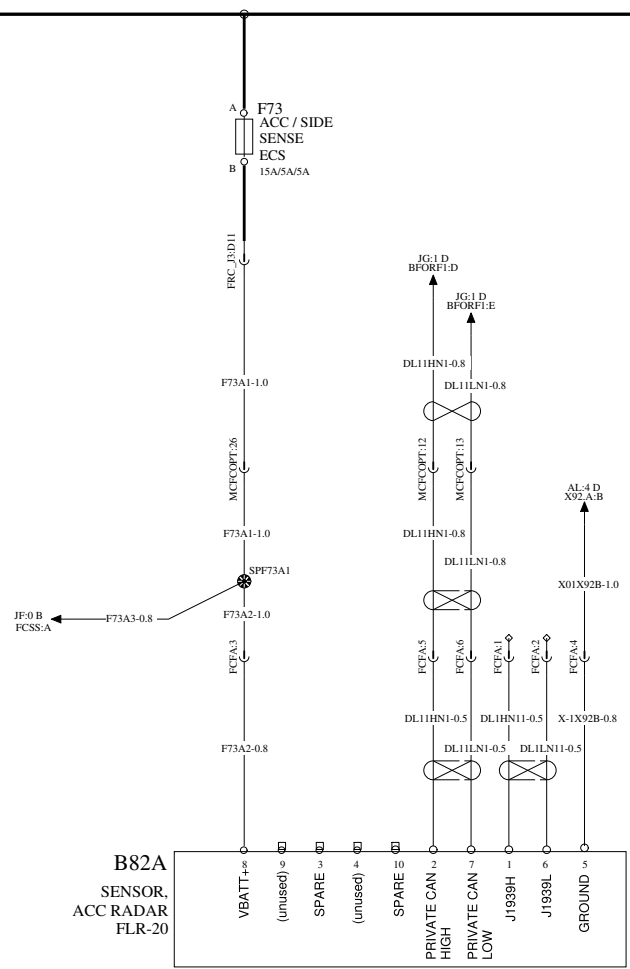
SRS AIRBAG CONTROL

WIRING DIAGRAM: JA

KEY



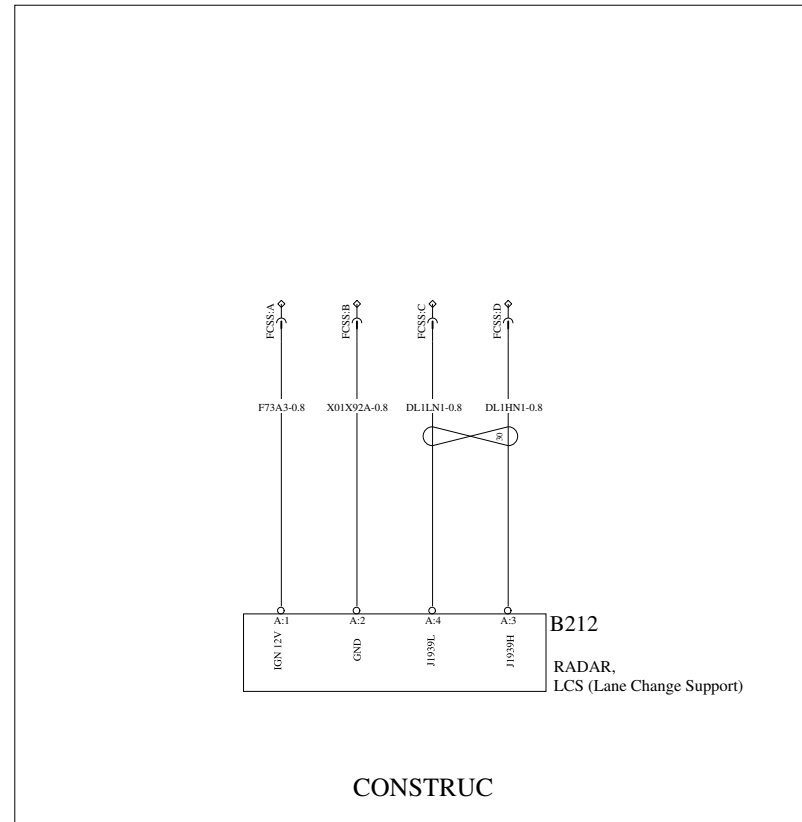
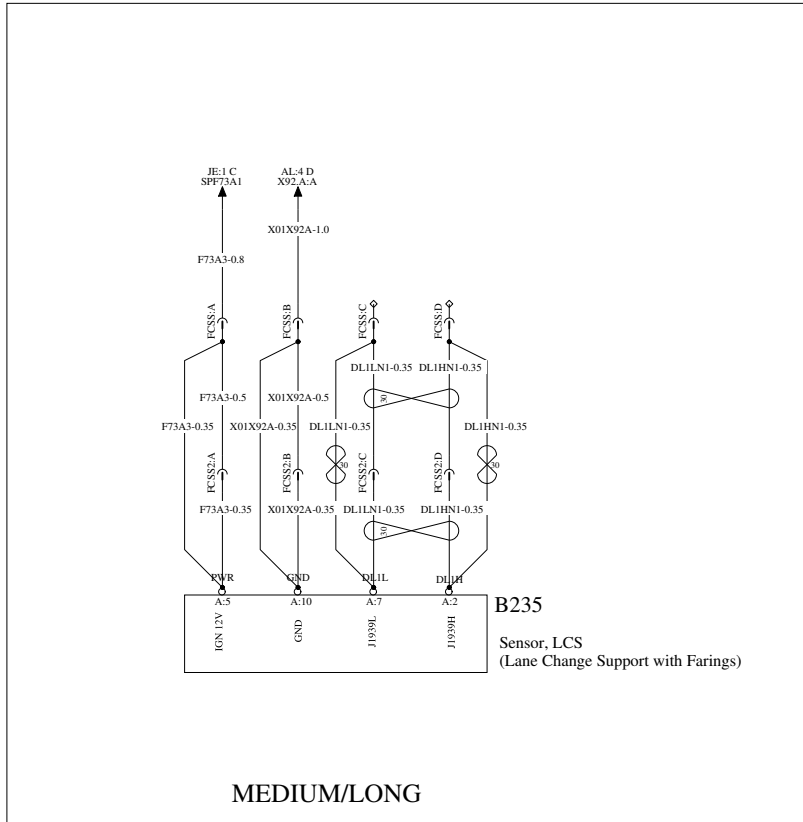
KEY



FLR-20 RADAR

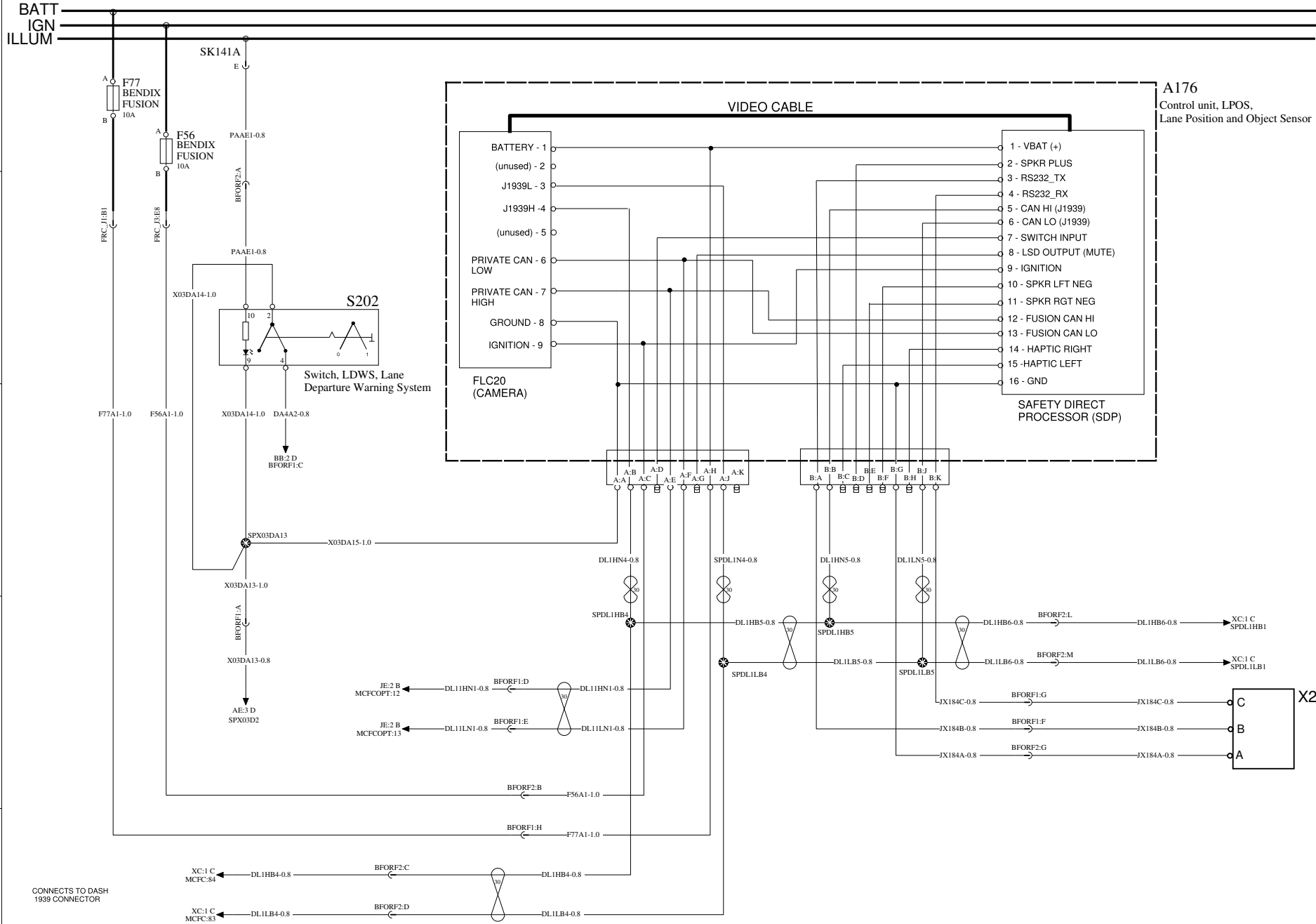
SIDE OBJECT DETECTION SYSTEM

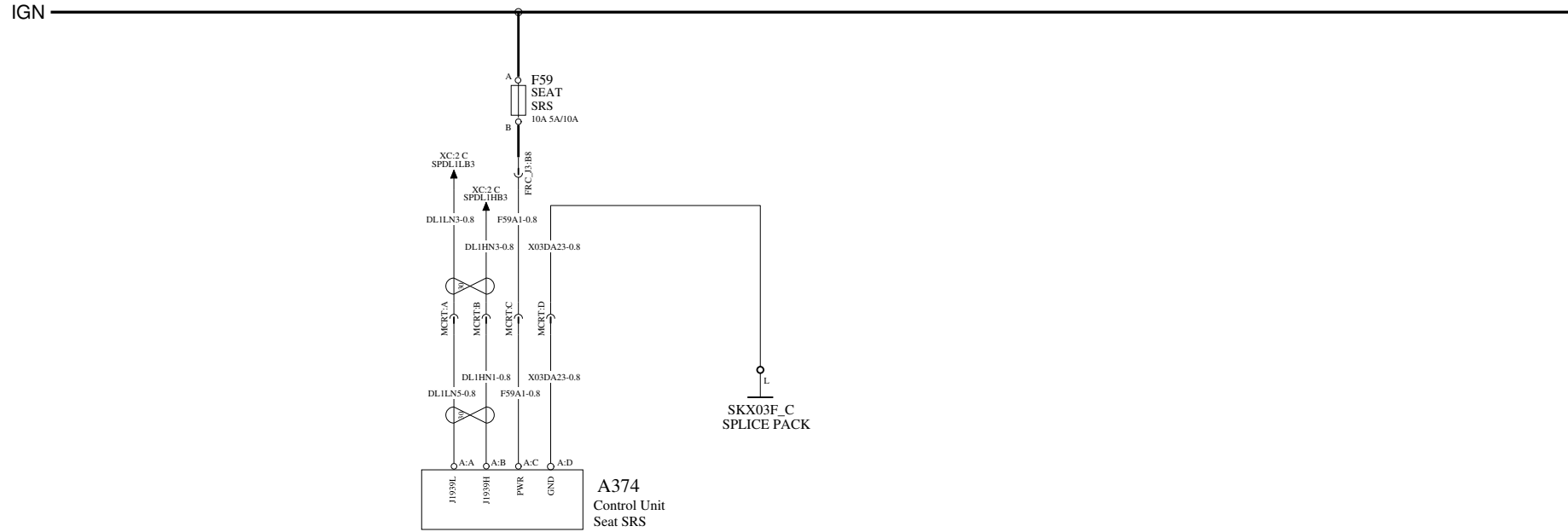
WIRING DIAGRAM: JF

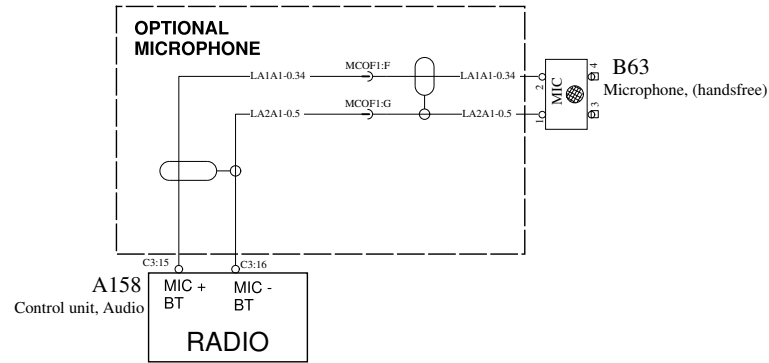


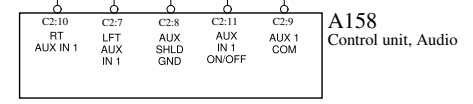
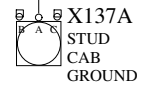
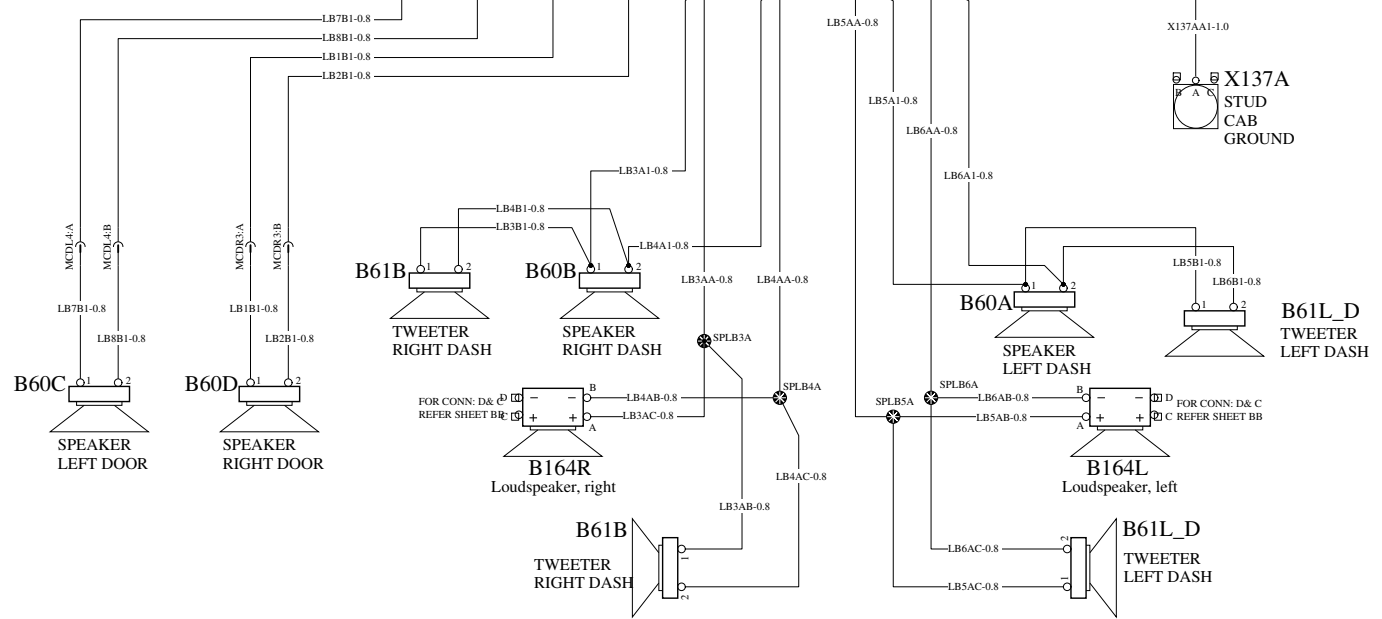
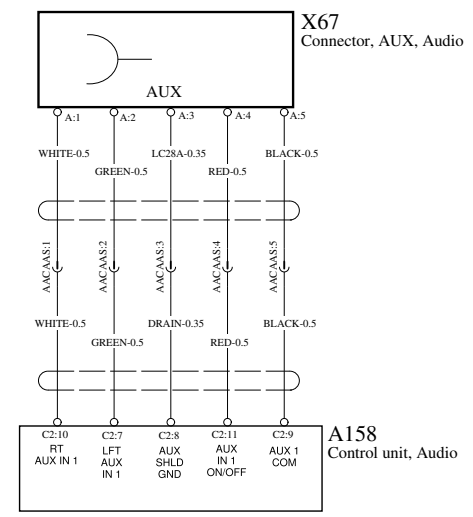
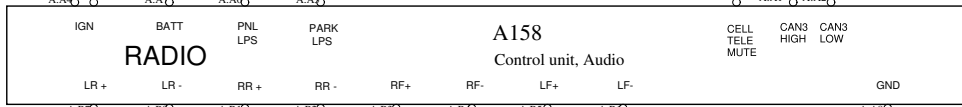
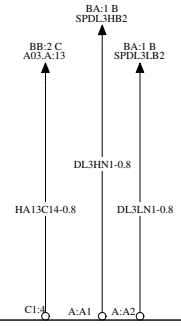
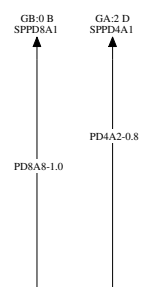
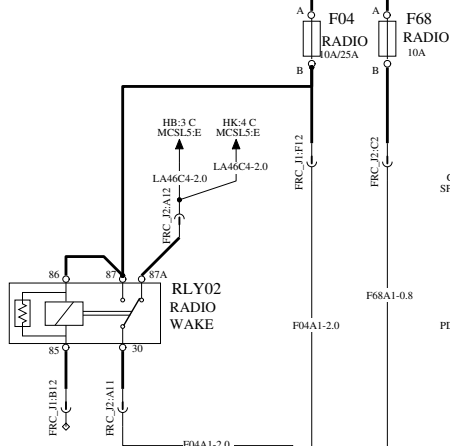
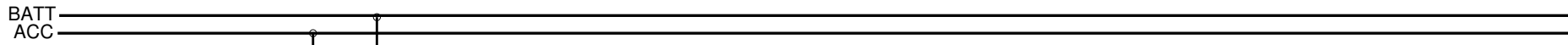
# LANE DEPARTURE WARNING SYSTEM

# WIRING DIAGRAM: JG





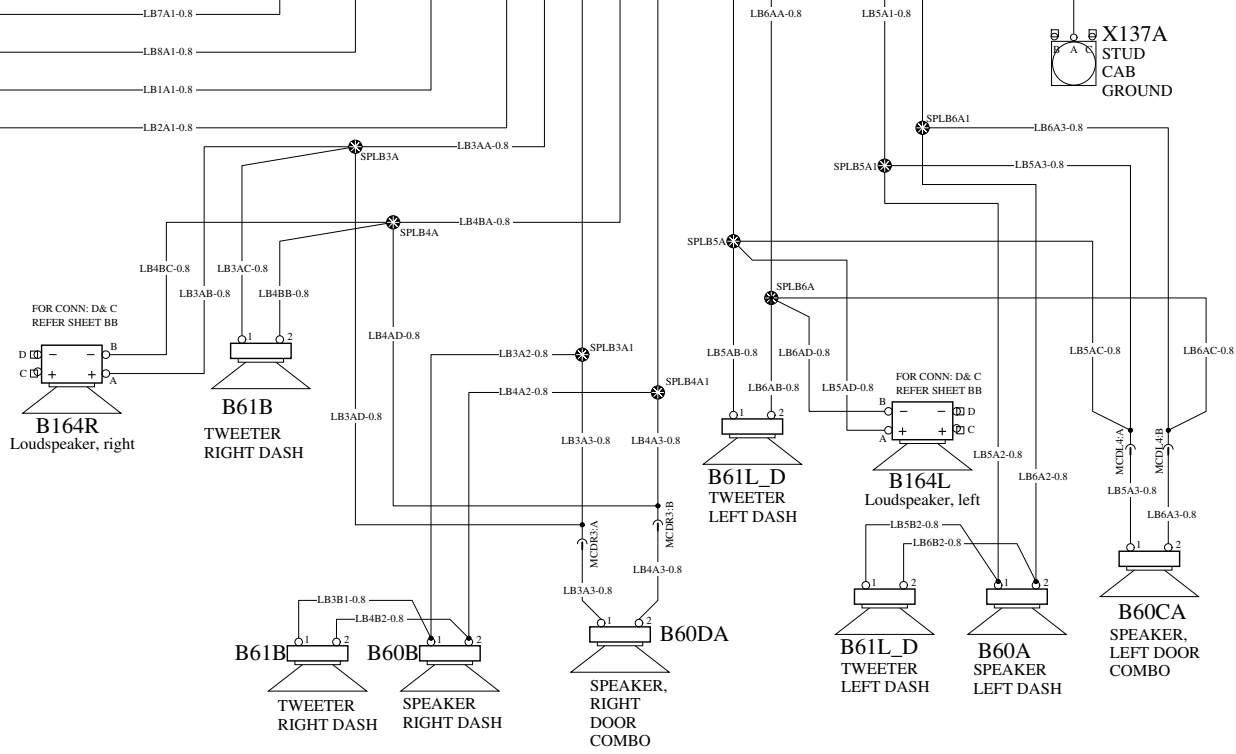
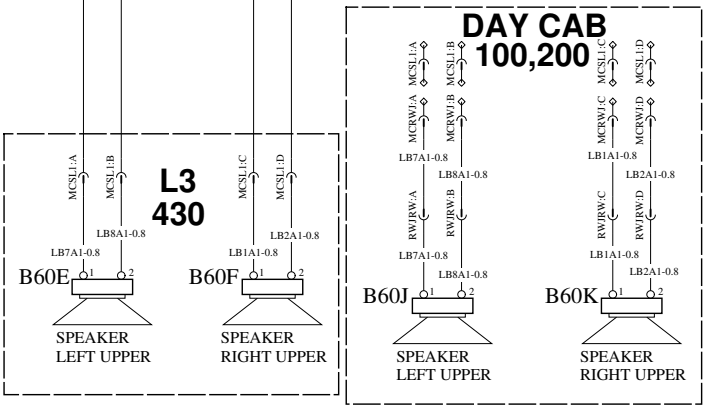
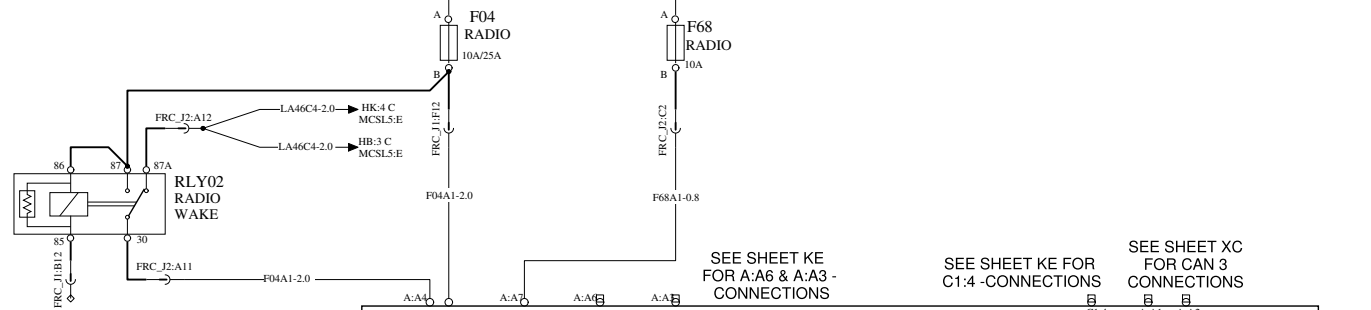
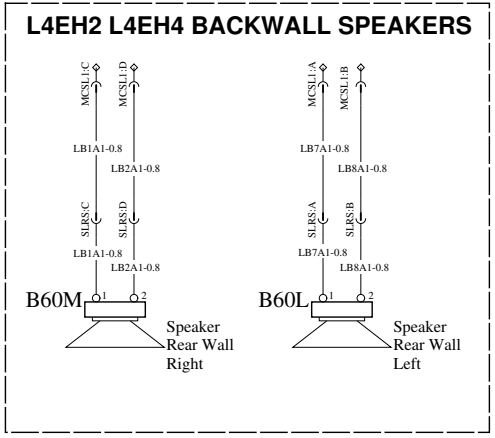




AUDIO SYSTEM- DEA 500 SERIES RADIO- 6 SPEAKER

WIRING DIAGRAM: KF

BATT  
ACC



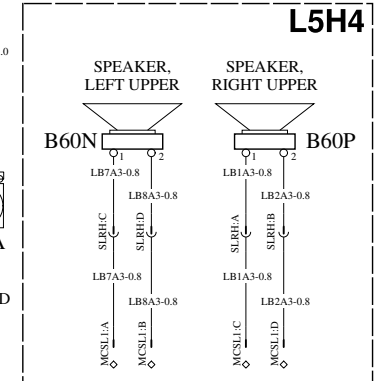
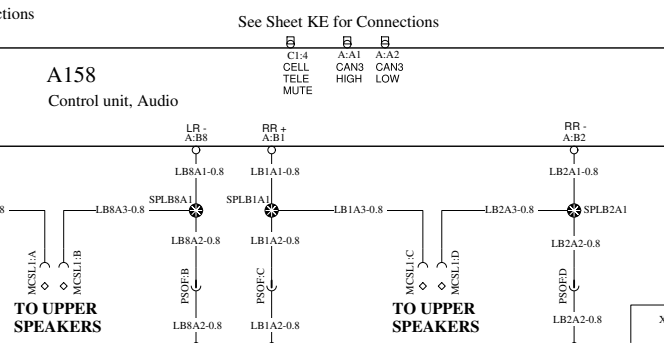
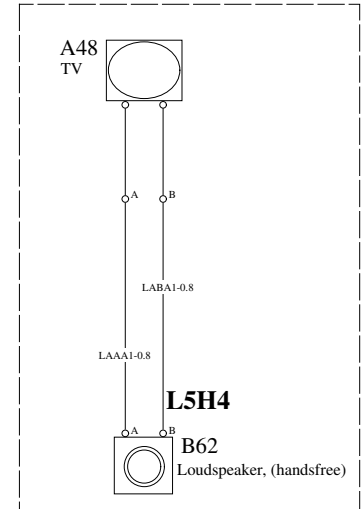
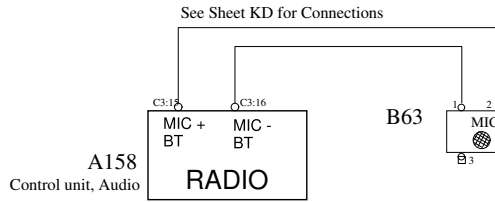
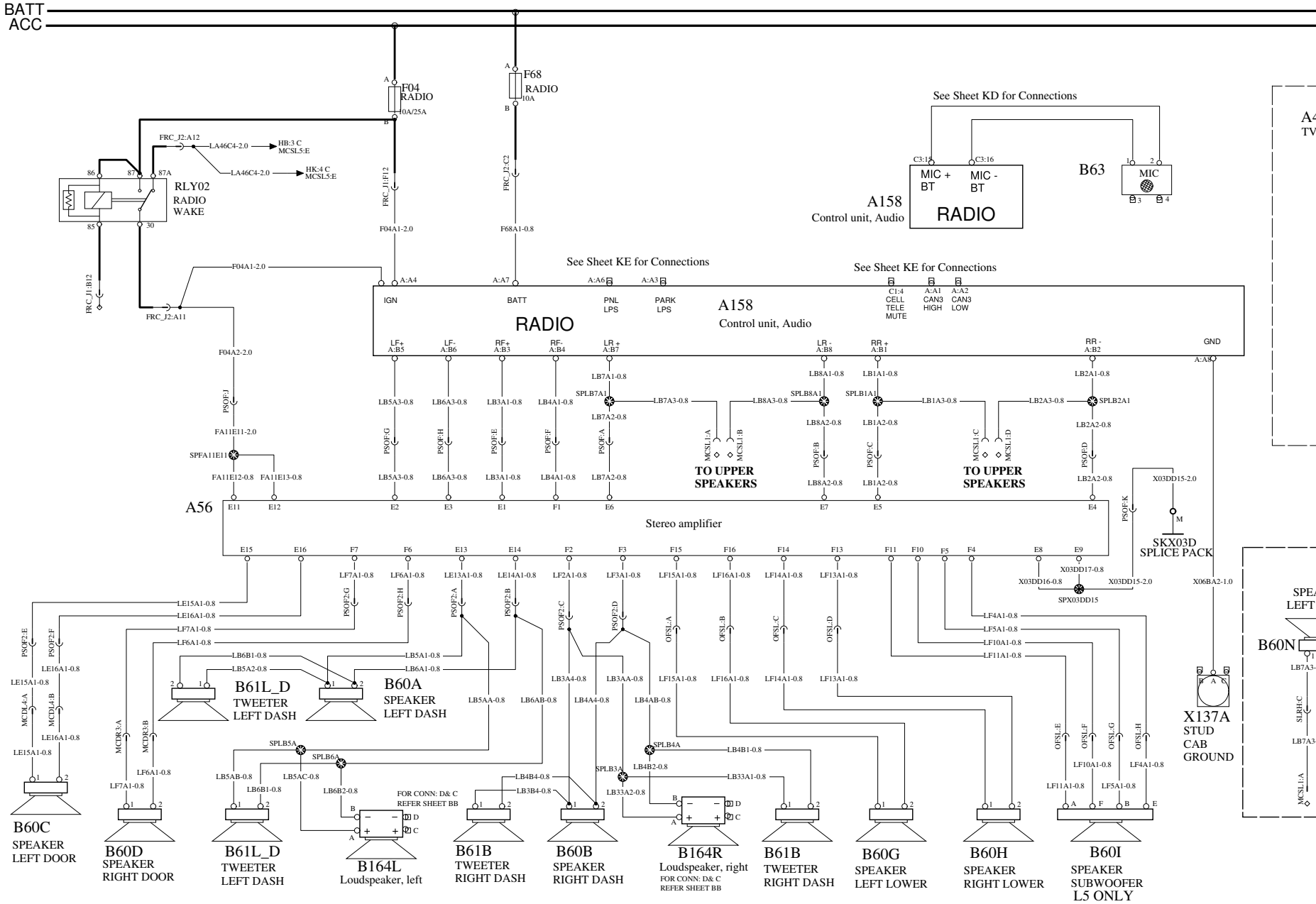
Volvo Truck Corporation

Document title WIRING DIAGRAM, 12V SCHEMATIC	Document No <b>23986311</b>	Issue <b>04</b>	Volume 1 (1)	Page 96 (114)
Document type PRODUCT SCHEMATIC				



AUDIO SYSTEM- DEA 500 SERIES RADIO- 6 SPEAKER W/SUB, TV PREP

WIRING DIAGRAM: KG

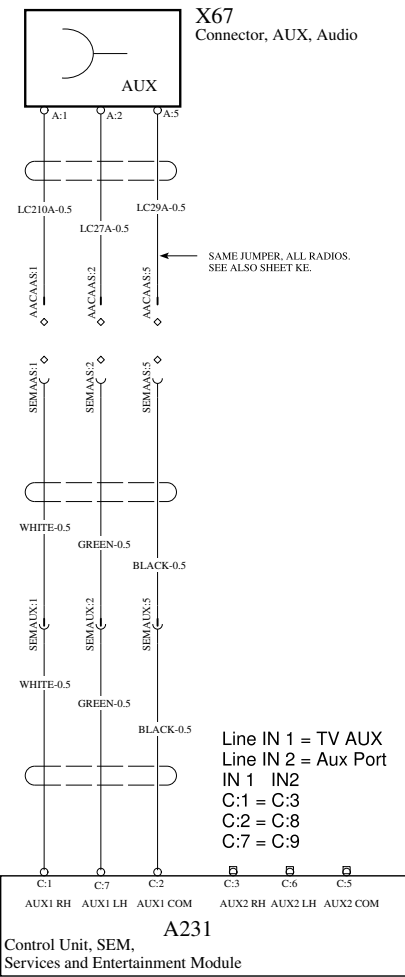
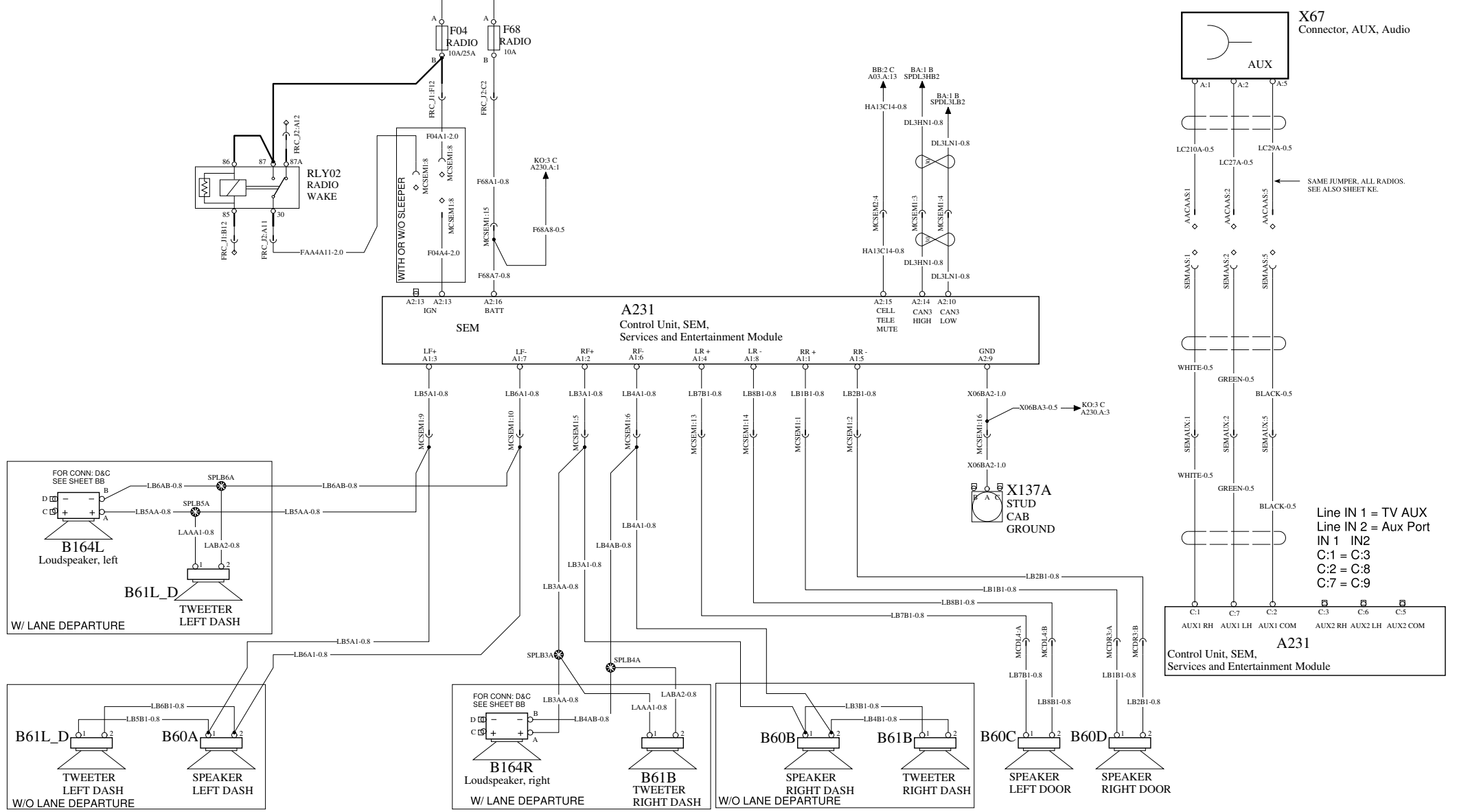


Volvo Truck Corporation	Document title	Document No	Issue	Volume	Page
	WIRING DIAGRAM, 12V SCHEMATIC	23986311	04	1 (1)	97 (114)
	Document type				
	PRODUCT SCHEMATIC				

AUDIO SYSTEM: SEM 4-SPEAKER AND AUX INPUT

WIRING DIAGRAM: KL

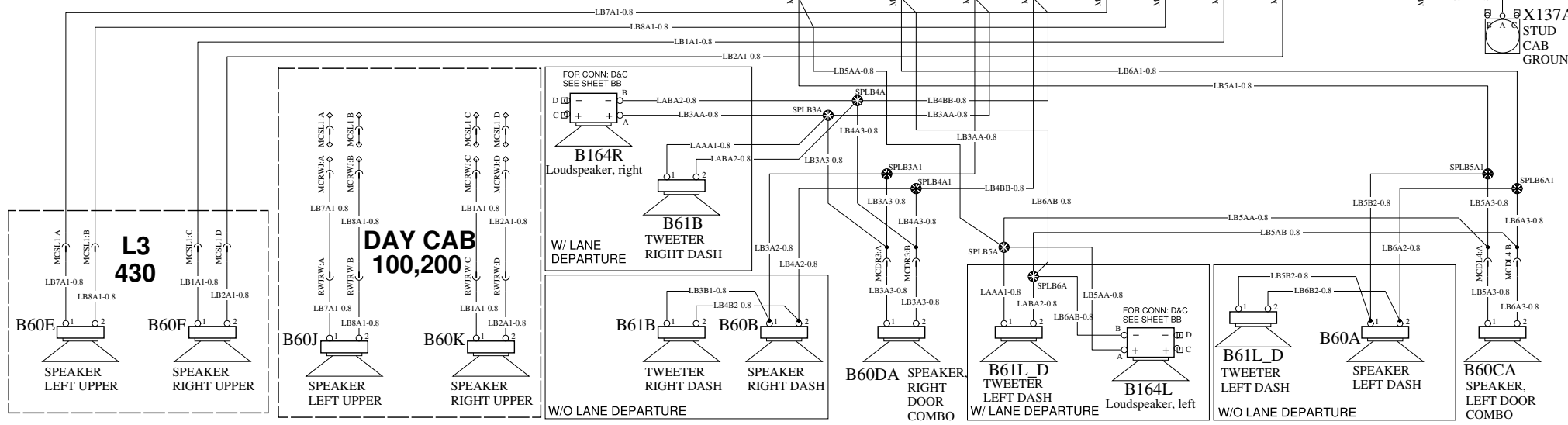
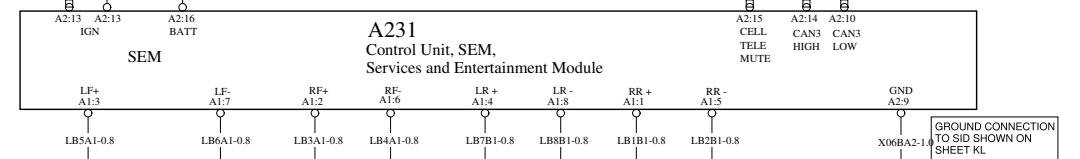
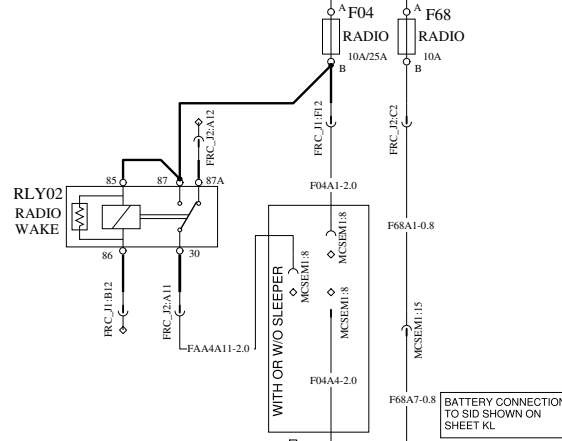
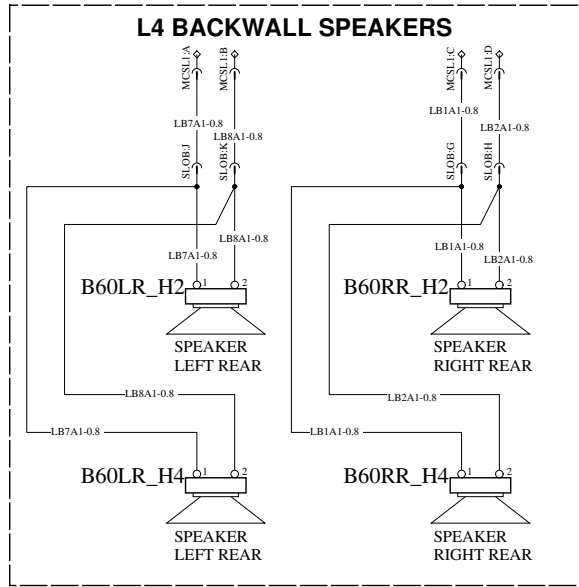
BATT  
ACC



AUDIO SYSTEM-SEM RADIO 6-SPEAKER

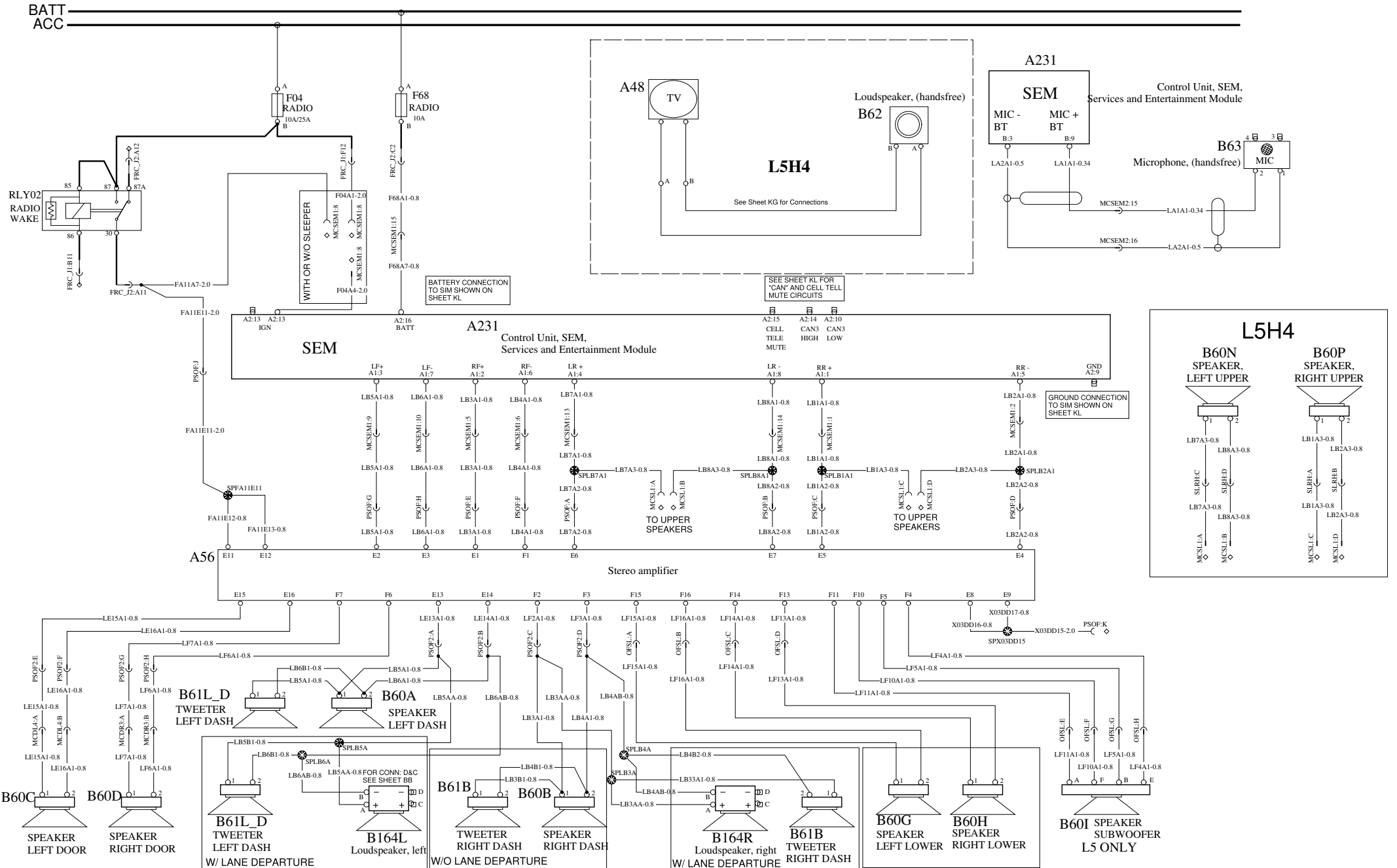
WIRING DIAGRAM: KM

BATT  
ACC

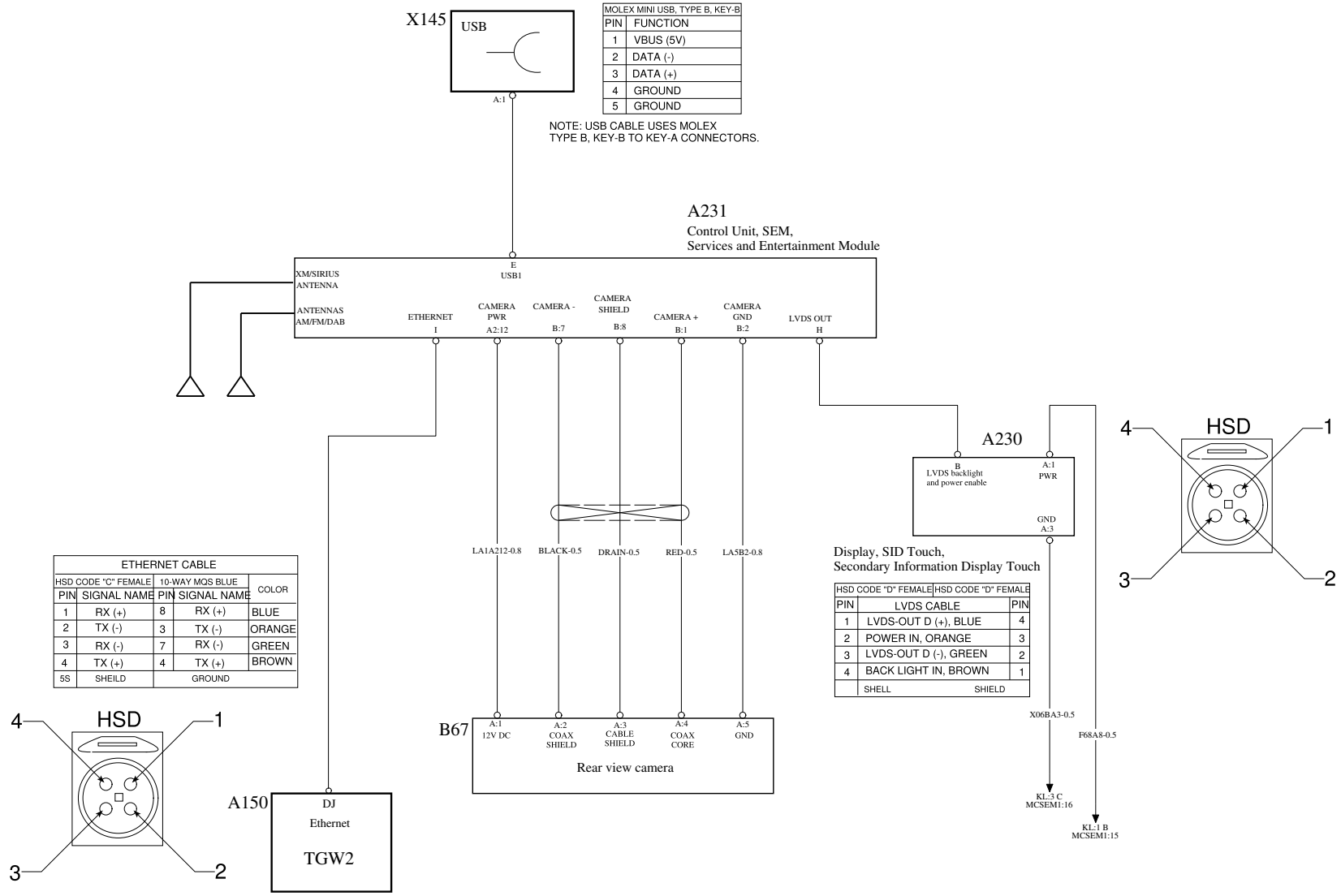


SEM AUDIO UNIT

WIRING DIAGRAM: KN

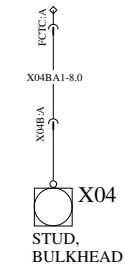
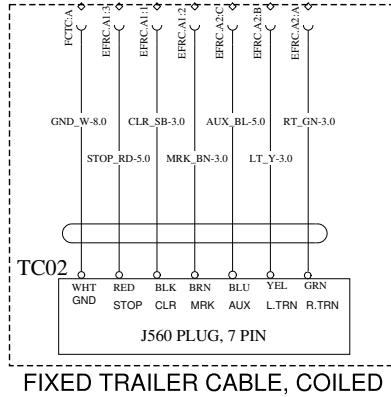
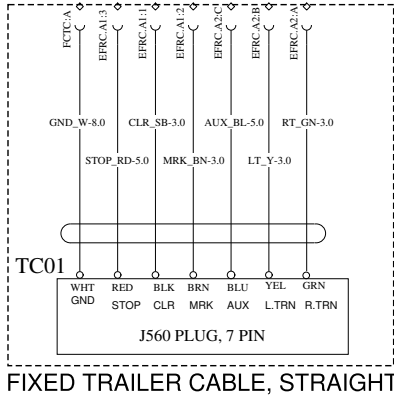
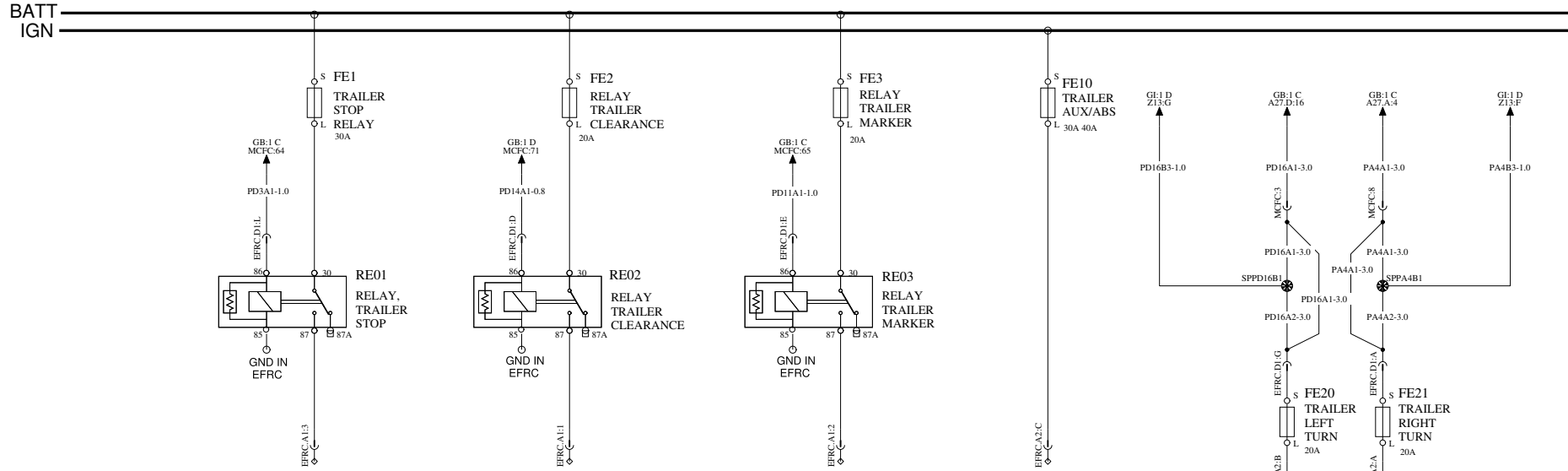


Volvo Truck Corporation	Document title	Document No	Issue	Volume	Page
	WIRING DIAGRAM, 12V SCHEMATIC	23986311	04	1 (1)	100 (114)
	Document type				
	PRODUCT SCHEMATIC				

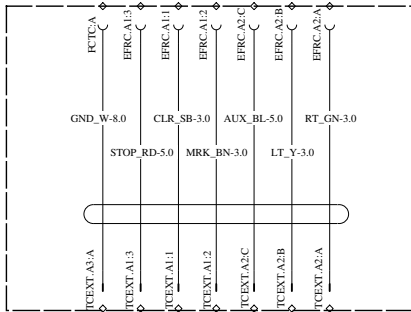


TRAILER CABLE

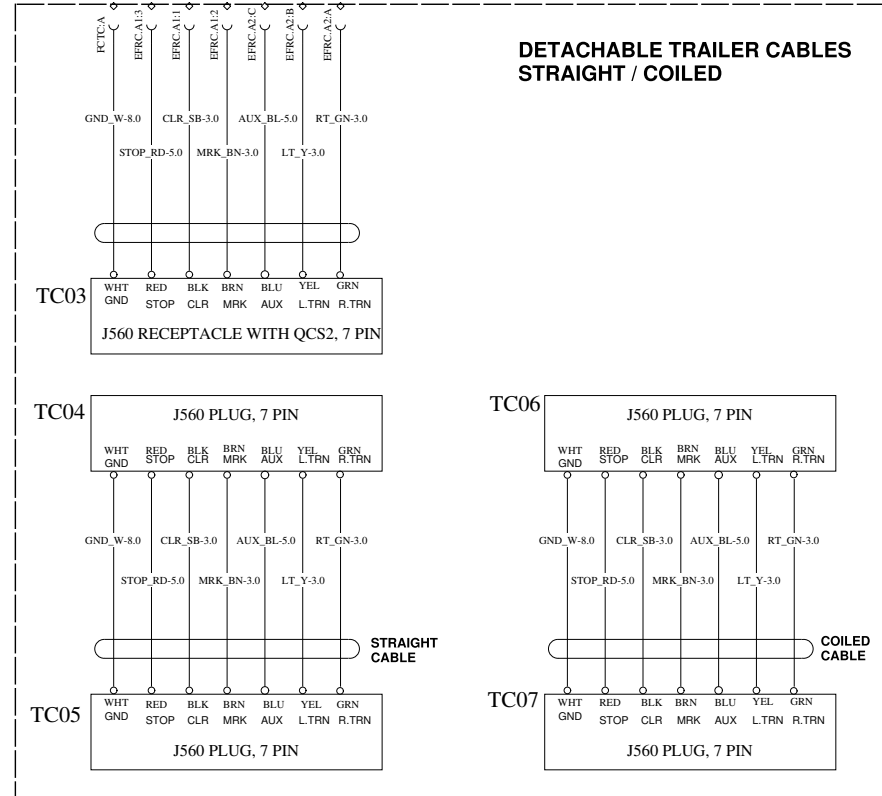
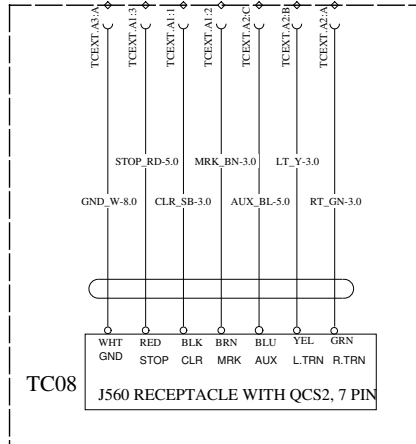
WIRING DIAGRAM: MA



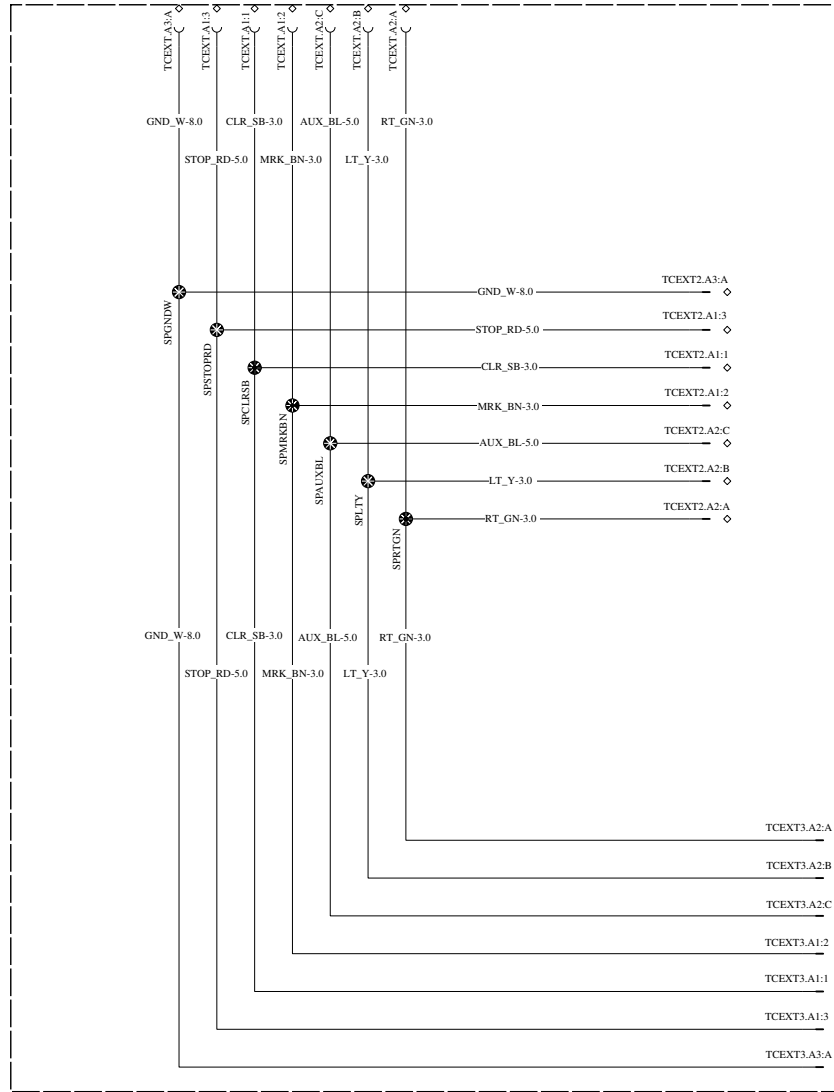
**TRAILER CABLE EXTENSION CABLE**



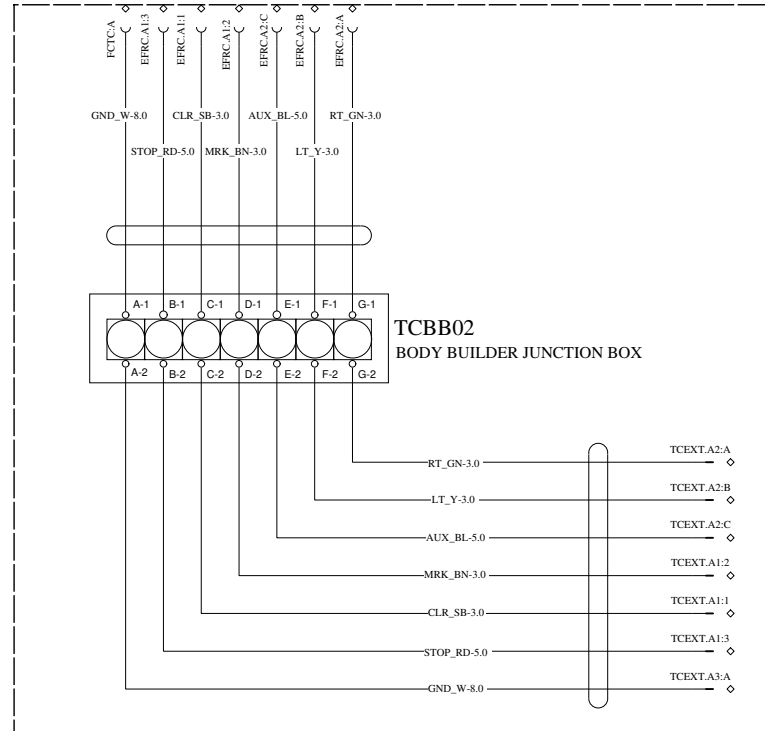
**TRAILER CABLE EOF RECEPTACLE**



**TRAILER CABLE BODY BUILDER  
WYE END OPTION**



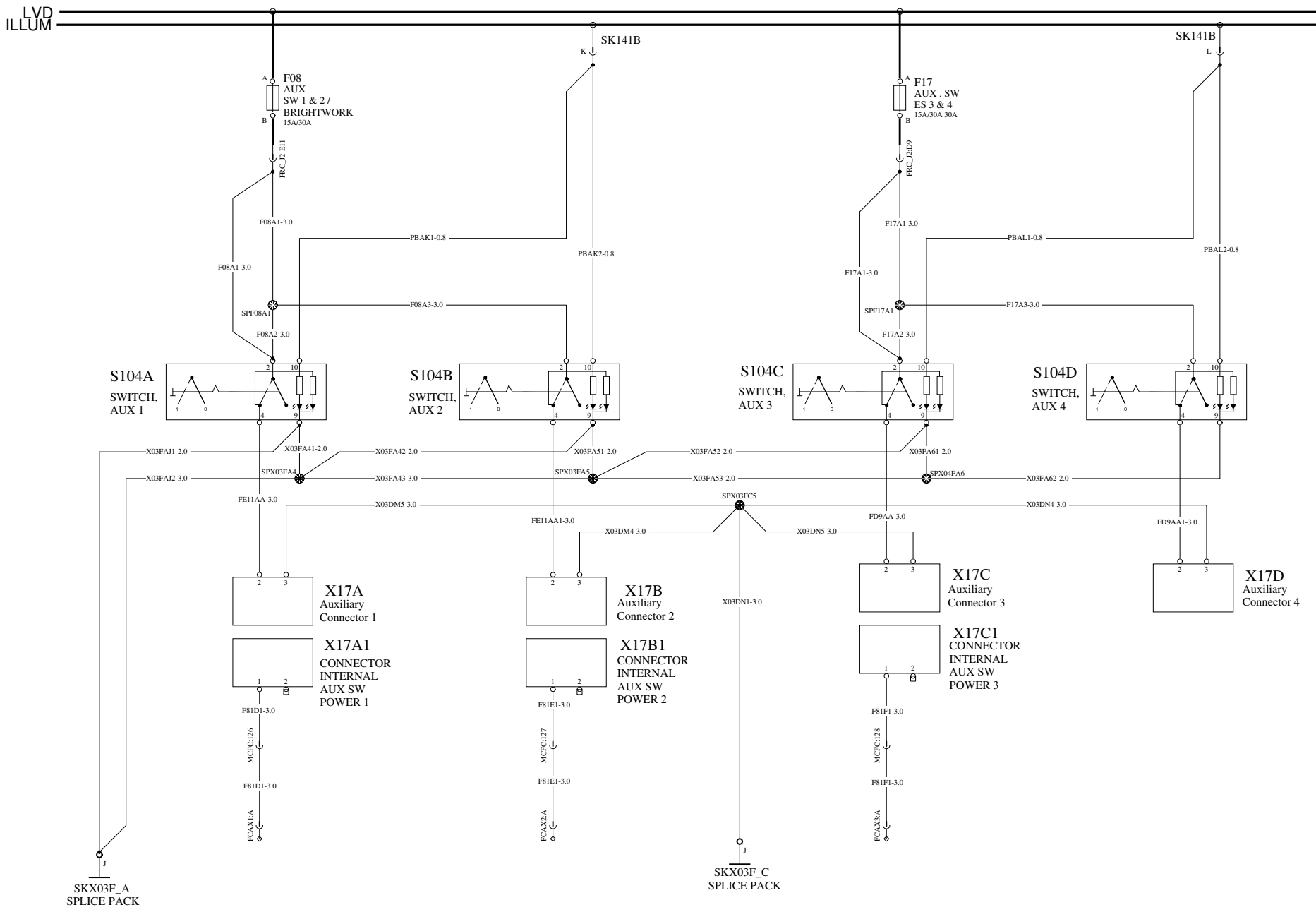
**TRAILER CABLE BODY BUILDER BOX  
SINGLE / DUAL CABLES**

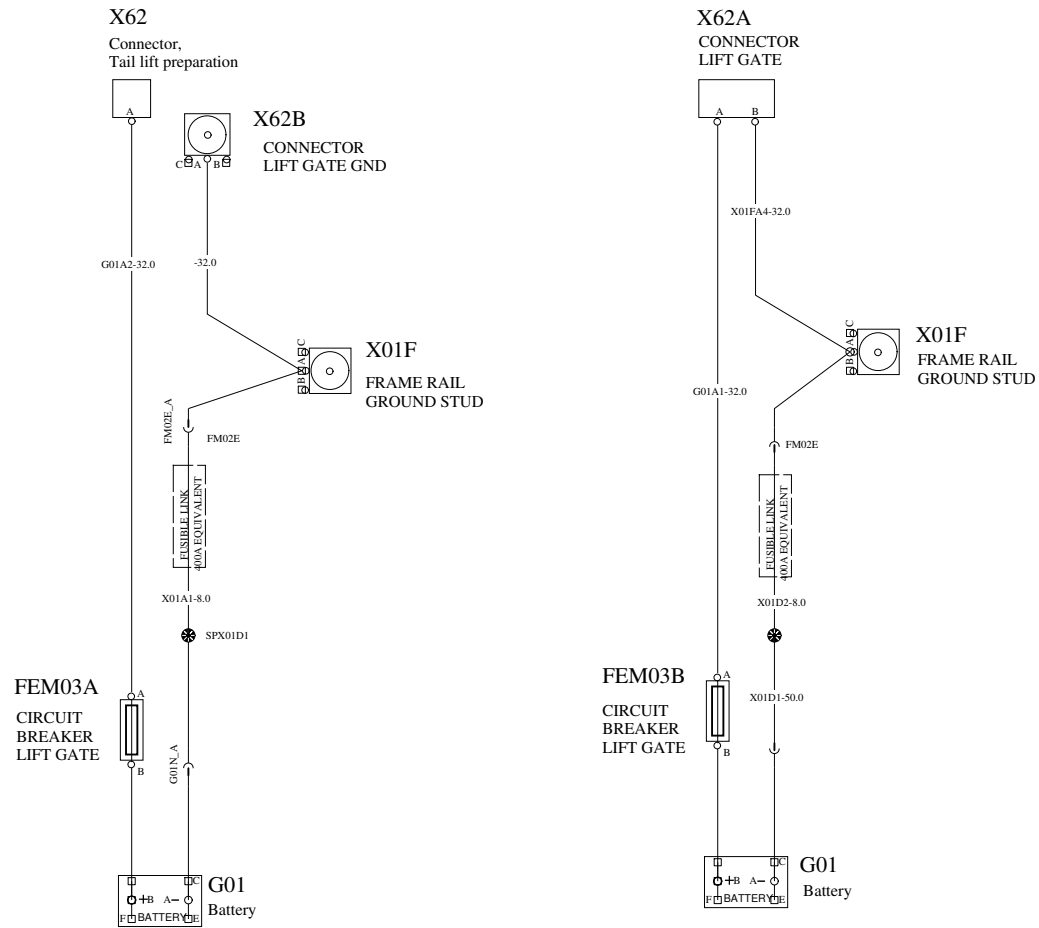




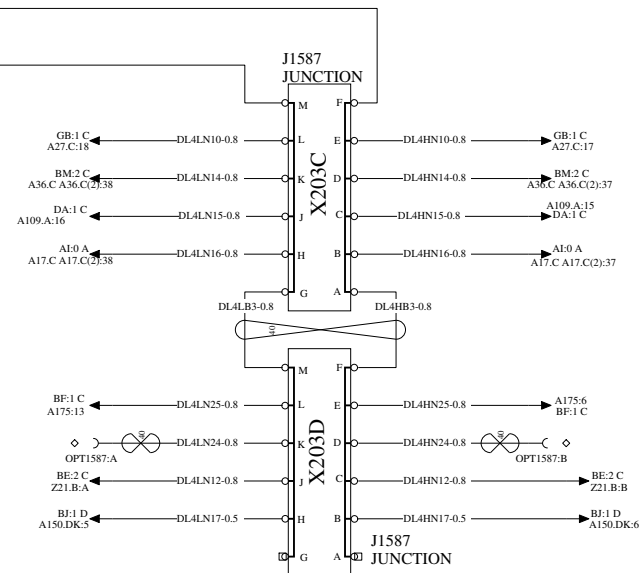
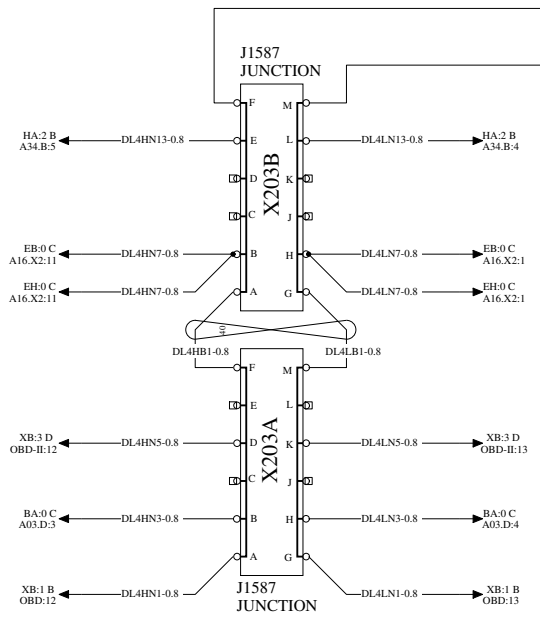
AUXILIARY SWITCHES

WIRING DIAGRAM: NA





A

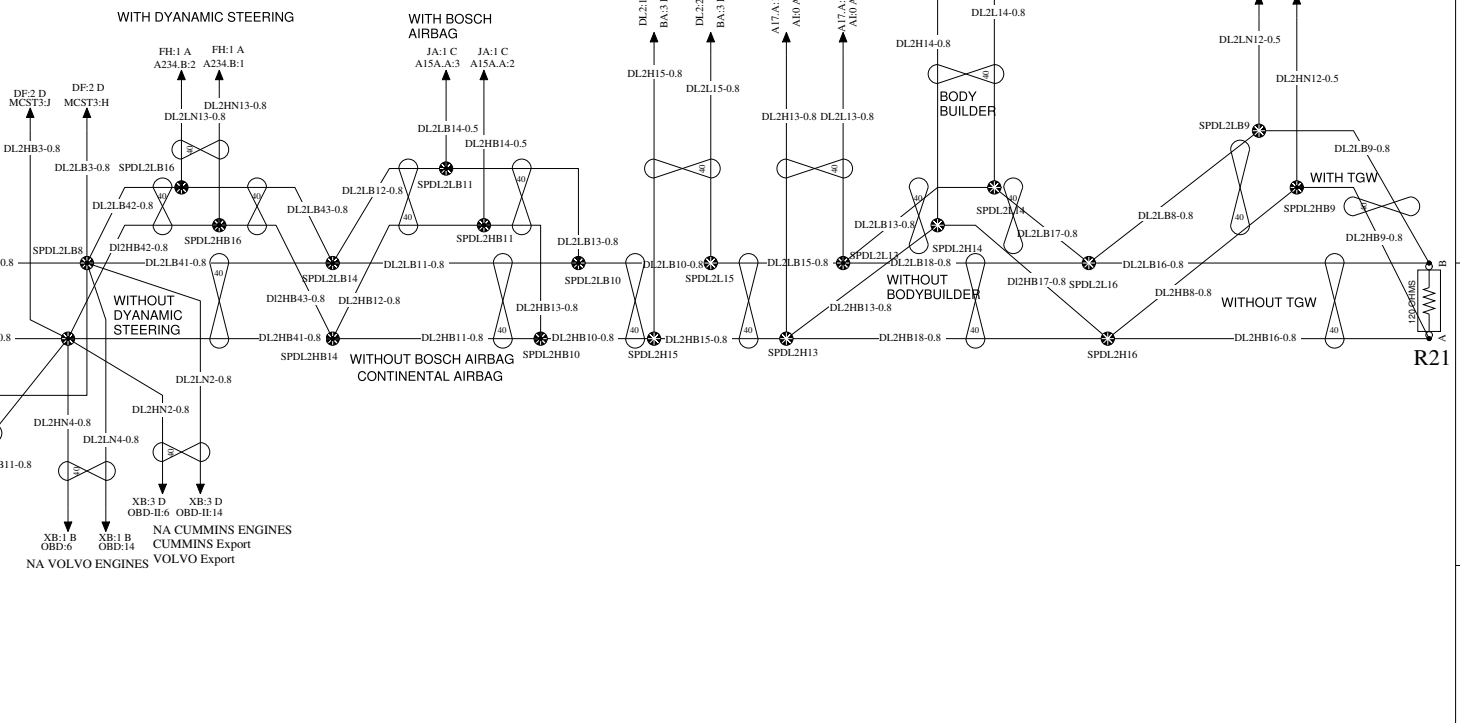


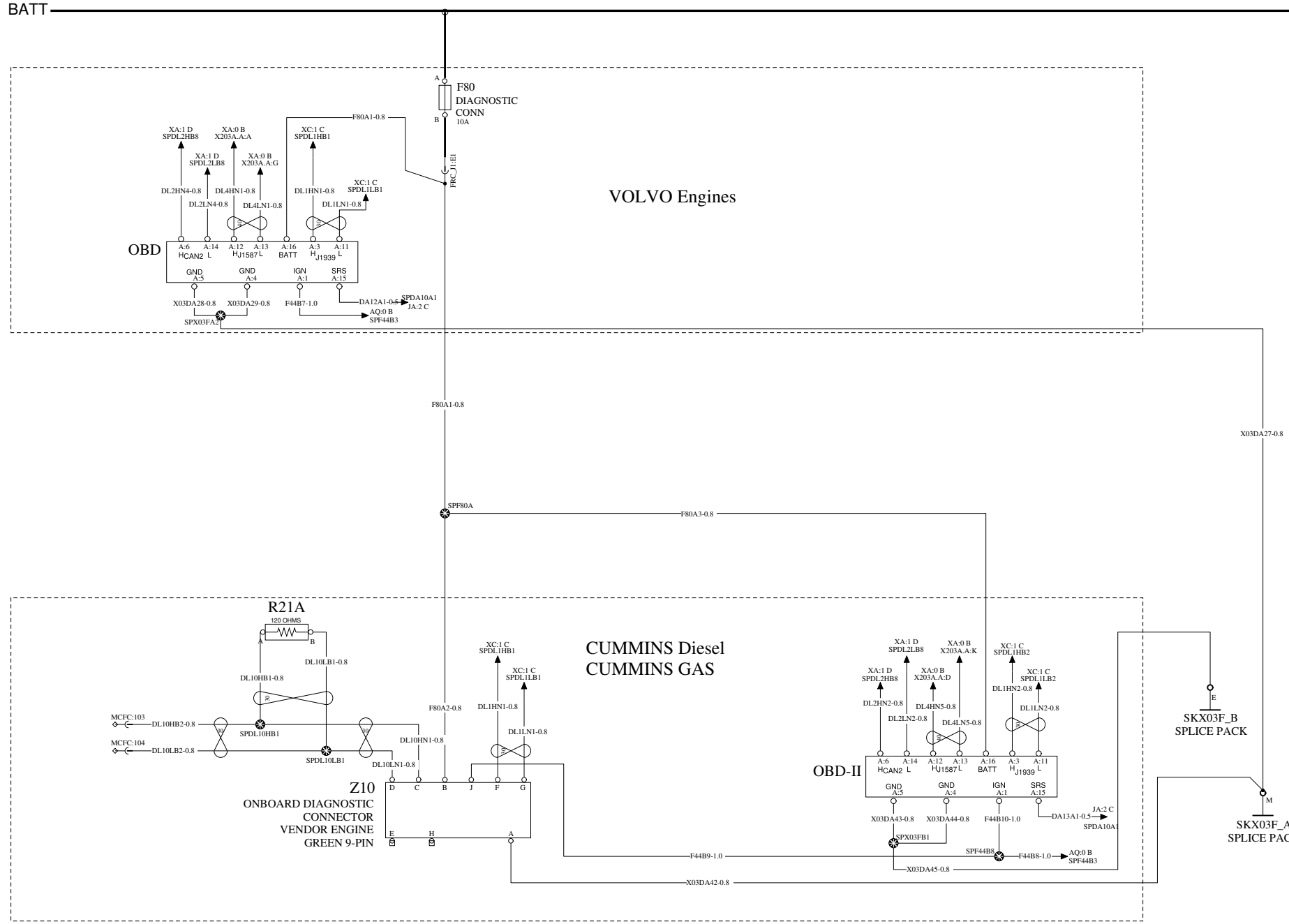
B

C

D

E





Volvo Truck Corporation	Document title WIRING DIAGRAM, 12V SCHEMATIC	Document No <b>23986311</b>	Issue <b>04</b>	Volume <b>1 (1)</b>	Page <b>108 (114)</b>
	Document type PRODUCT SCHEMATIC				

A

A

B

B

C

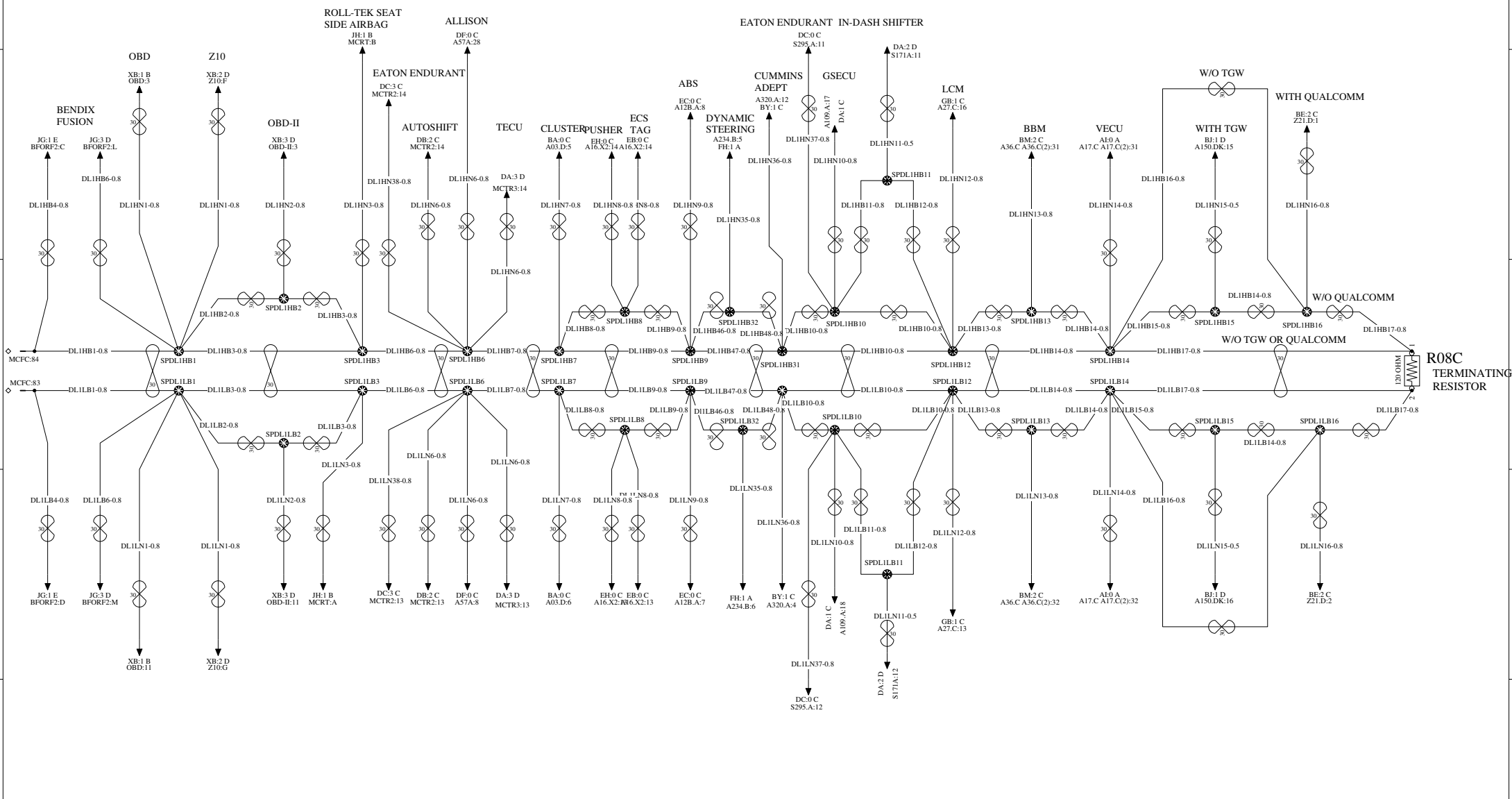
C

D

D

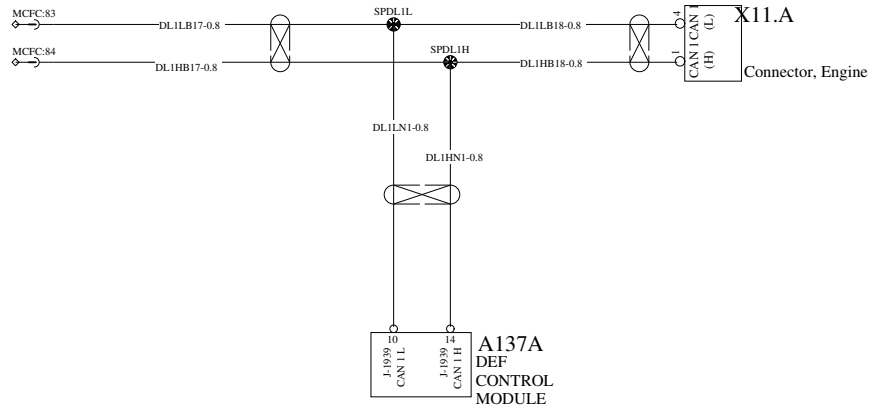
E

E

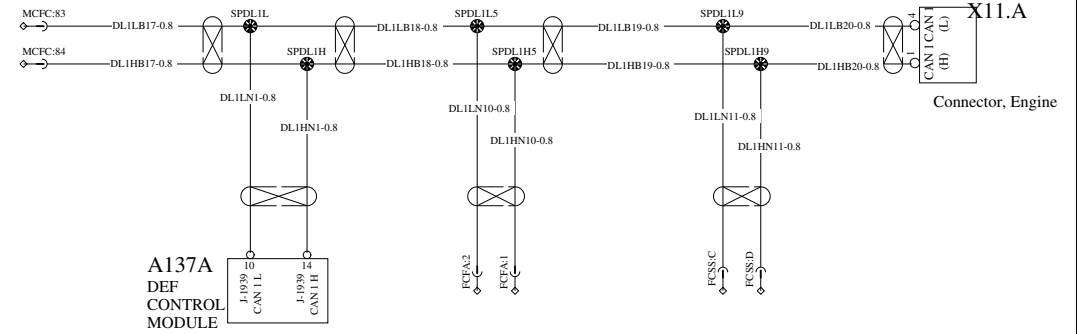


Volvo Truck Corporation	Document title WIRING DIAGRAM, 12V SCHEMATIC	Document No	Issue	Volume	Page
	Document type PRODUCT SCHEMATIC	23986311	04	1 (1)	109 (114)

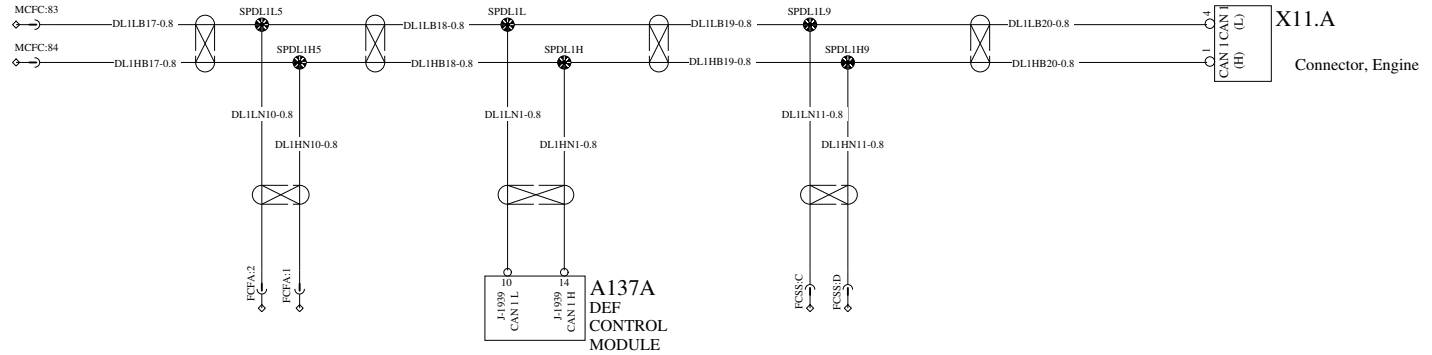
VOLVO BASE (102)



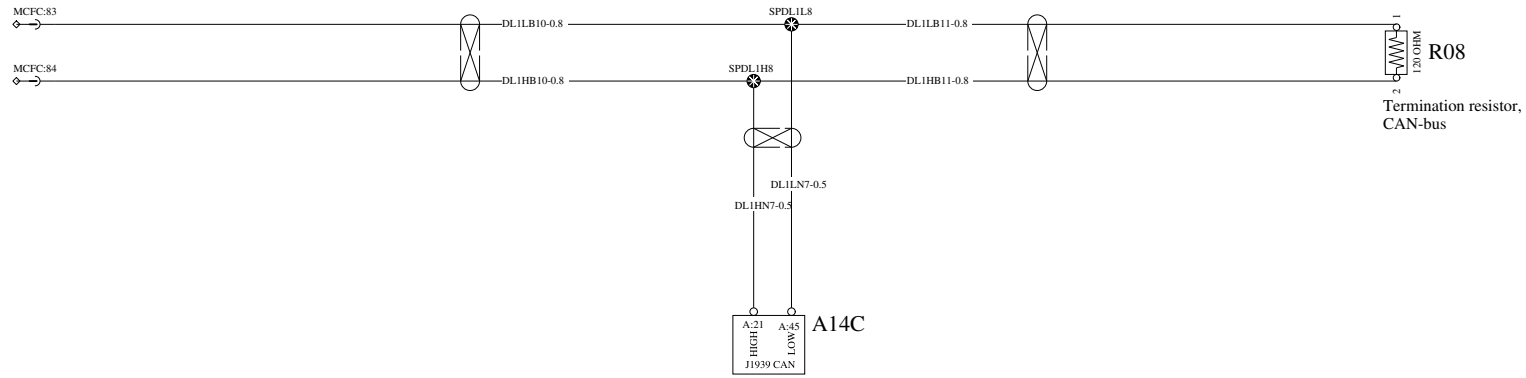
VOLVO BASE WITH CAVS (104)



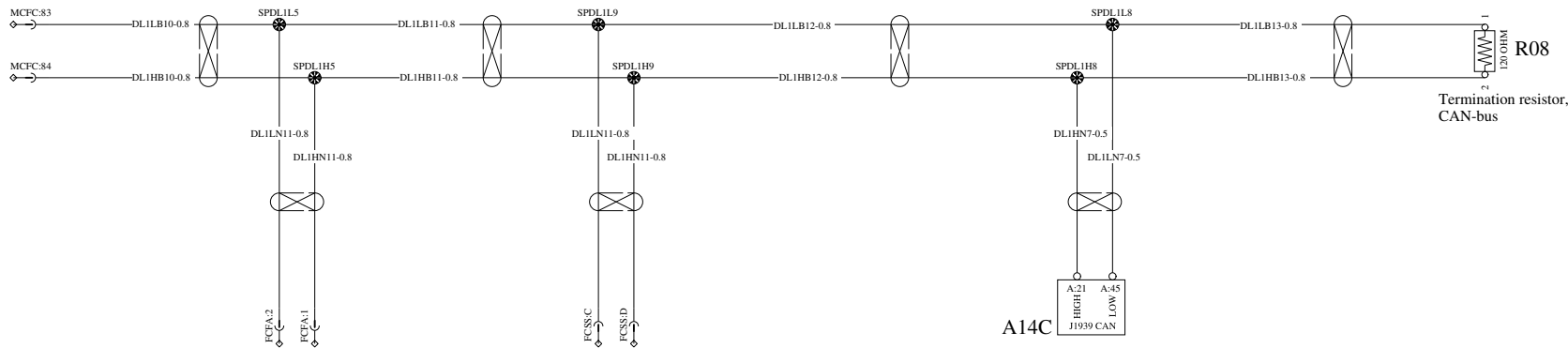
VOLVO BASE WITH CAVS (199)



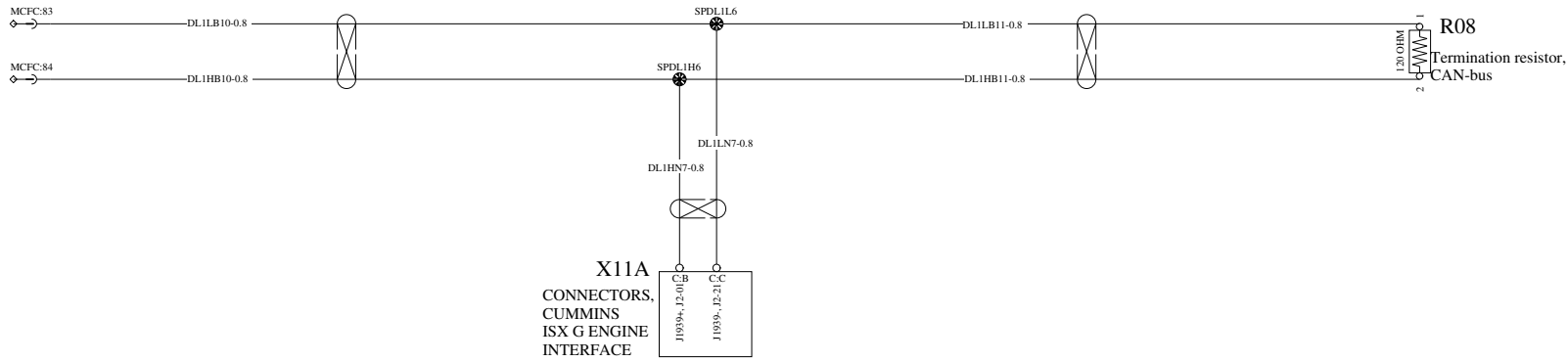
ISX 2017 BASE (110)



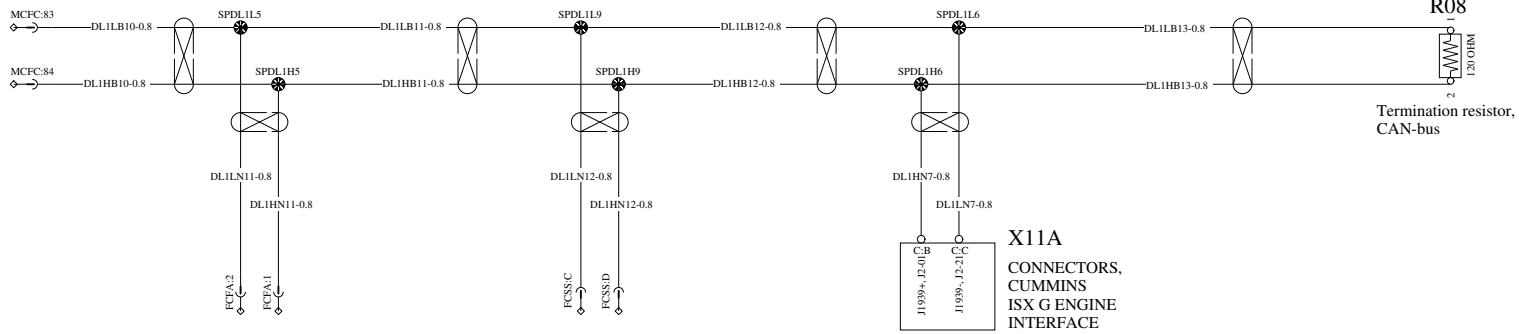
ISX 2017 BASE W/ CAVS (112)



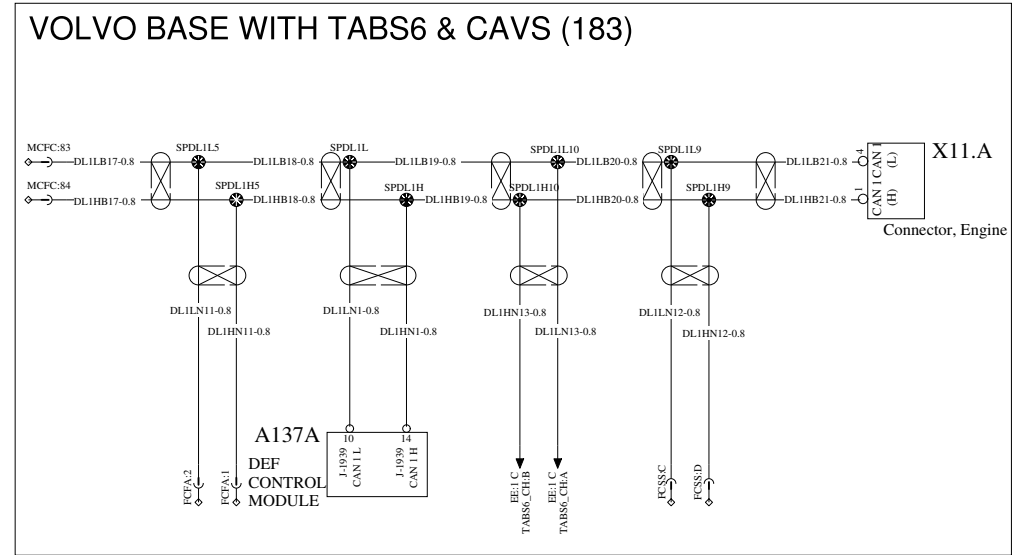
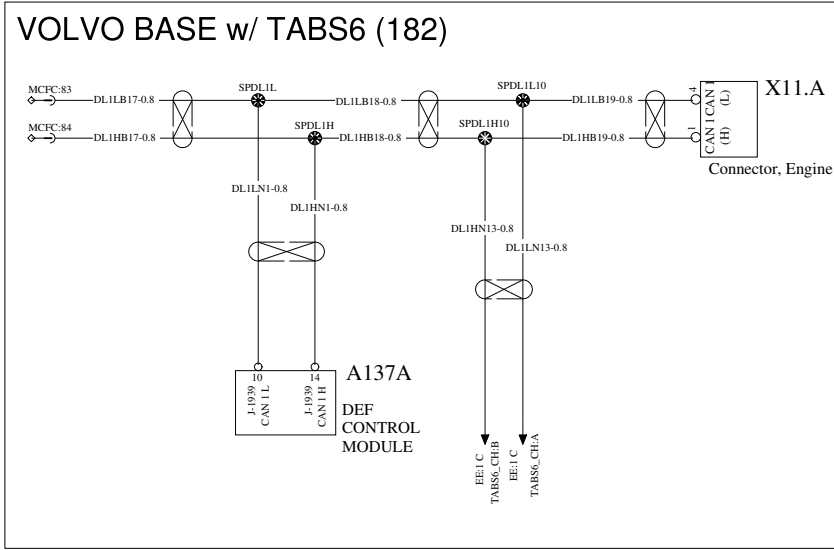
ISX G BASE (106)



ISX G W/ CAVS (108)



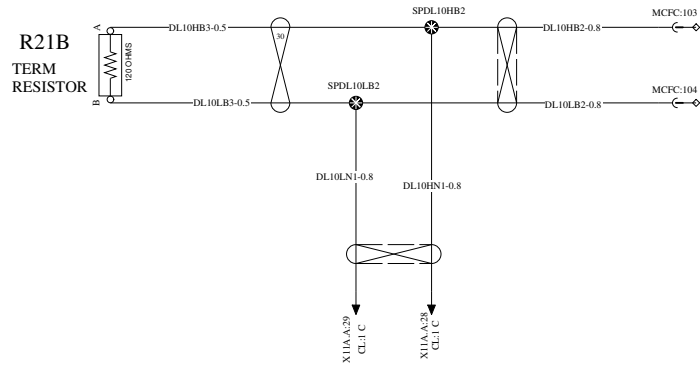




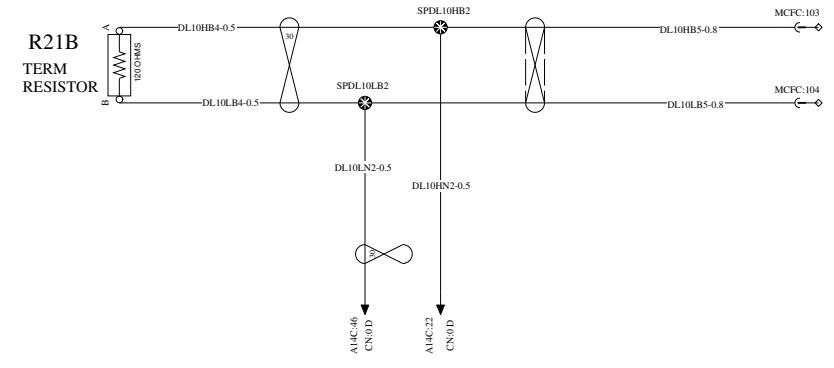
DIAGNOSTICS 4/4 CUMMINS (DL10)

WIRING DIAGRAM : XM

DL10 W/ISX-CNG



DL10 ISX-DIESEL W/O TRAN-EE



DL10 ISX-DIESEL W/ TRAN-EE

